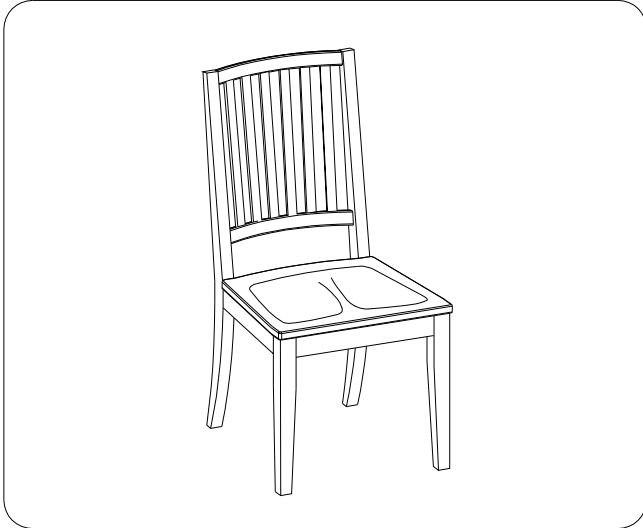


ITEM NO: I248-6640S Dining Side Chair w/ Wood Seat (2/Ctn)

Thank you for purchasing this quality product. Be sure to check all packing material carefully for small parts that may come loose inside the carton during shipment.

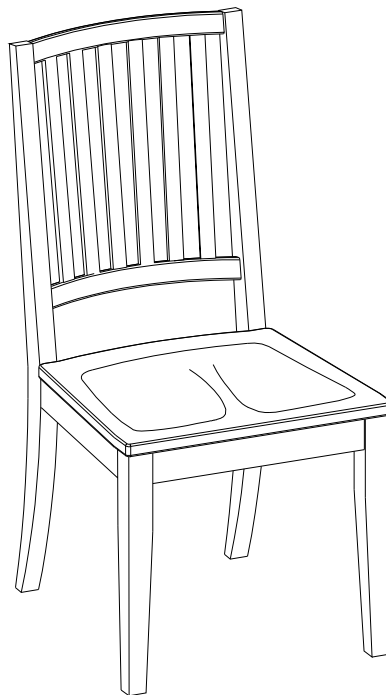


TOOLS REQUIRED (NOT PROVIDED)
PHILLIPS SCREWDRIVER

HARDWARE LIST:			
No.	Description	Sketch	Quantity
A	Bolt Ø5/16" x 3-1/4"		4 PCS
B	Bolt Ø5/16" x 2-1/4"		4 PCS
C	Bolt Ø5/16" x 1-1/2"		2 PCS
D	Lock Washer Ø5/16"		10 PCS
E	Flat Washer Ø5/16" x 3/4"		10 PCS
F	Allen Wrench 4mm		1 PC

COMPONENTS LIST:			
No.	Description	Sketch	Quantity
1	Chair Back		1 PC
2	Chair Seat		1 PC
3	Front Leg		2 PCS

FUNCTIONALITY INSTRUCTION



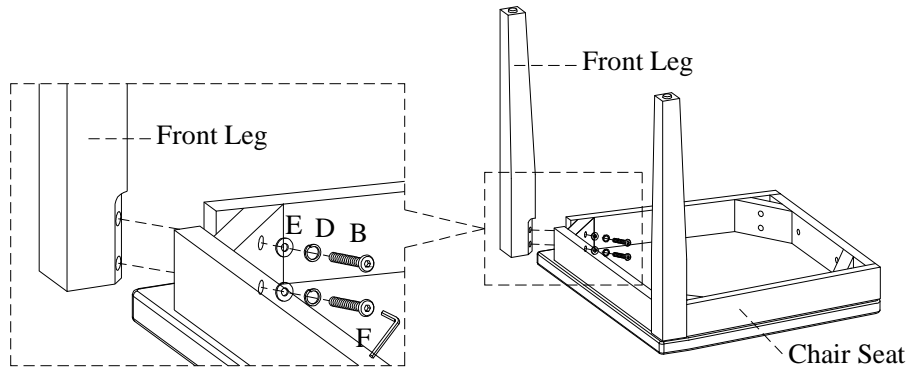
BEFORE USING THIS PRODUCT PLEASE READ, UNDERSTAND, AND FOLLOW THESE INSTRUCTIONS.
Save these instructions for future reference.

FOR INDOOR USE ONLY



ITEM NO: I248-6640S Dining Side Chair w/ Wood Seat (2/Ctn)

STEP 1: Attach the front legs to chair seat by using 4 bolts(B), lock washers(D), flat washers(E) with an allen wrench(F).



STEP 2: Attach the chair seat to chair back by using 4 bolts(A), 2 bolts(C), 6 lock washers(D), 6 flat washers(E) with an allen wrench(F) tighten all bolts. Turn the assembled chair to the upright position.

