



ITEM NO: I3002-303 66" Executive Desk

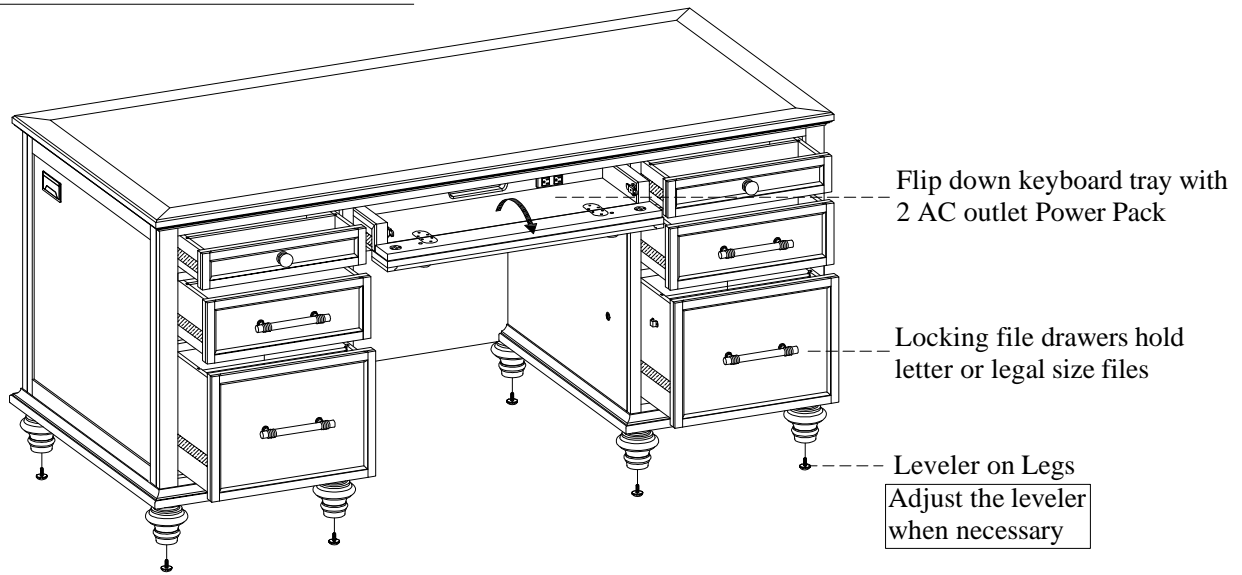
Thank you for purchasing this quality product. Be sure to check all packing material carefully for small parts that may come loose inside the carton during shipment.



TOOLS REQUIRED (NOT PROVIDED)	
PHILLIPS SCREWDRIVER	

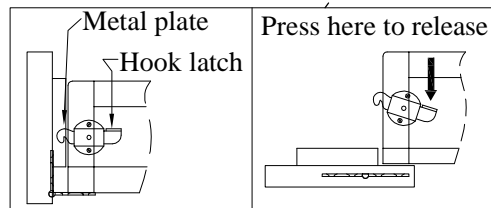
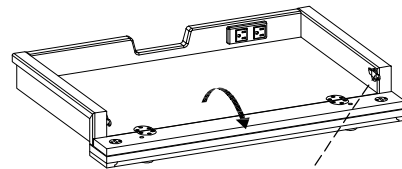
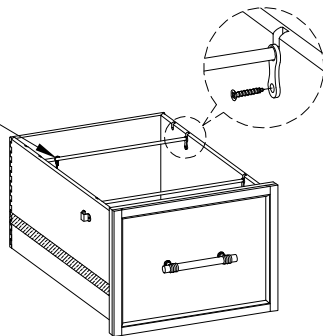
COMPONENTS LIST:			
No.	Description	Sketch	Quantity
1	Case		1 PC
2	Bun Foot		8 PCS

FUNCTIONALITY INSTRUCTION



Keys for file lock.
Do not trash.

Remove the wood screws on the back panels of drawer box to remove the rod loops and file rods if necessary.



BEFORE USING THIS PRODUCT PLEASE READ, UNDERSTAND, AND FOLLOW THESE INSTRUCTIONS. Save these instructions for future reference.

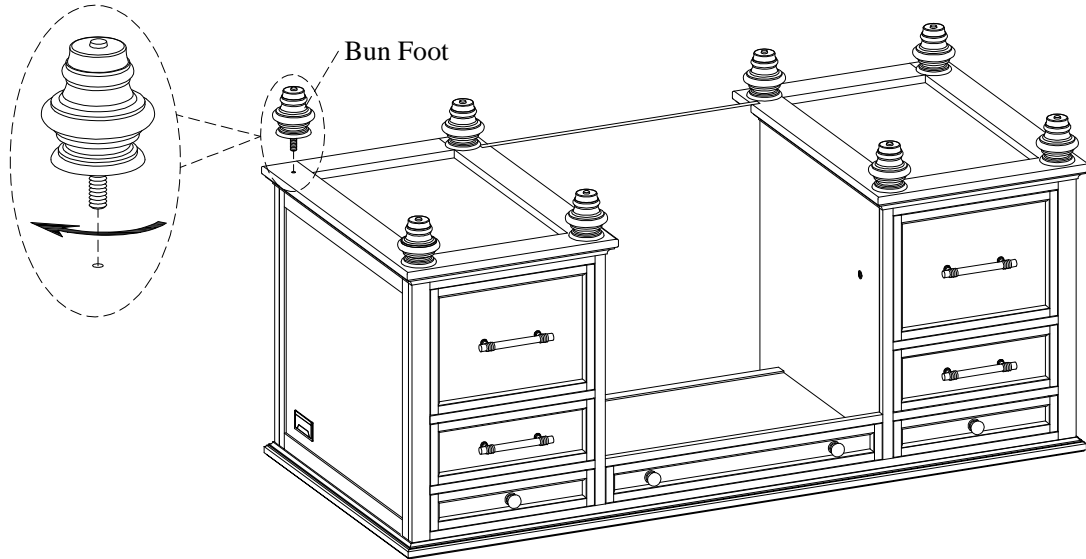
FOR INDOOR USE ONLY



ITEM NO: I3002-303 66" Executive Desk

STEP 1: Put the case upside down on a soft surface.

STEP 2: Attach the bun feet to the bottom of case as shown below.



STEP 3: Return the assembled case to the upright position.

