



ITEM NO: ICB-454-BCH/BLK/EGG/GRY-4 Double Dresser

Thank you for purchasing this quality product. Be sure to check all packing material carefully for small parts that may come loose inside the carton during shipment.

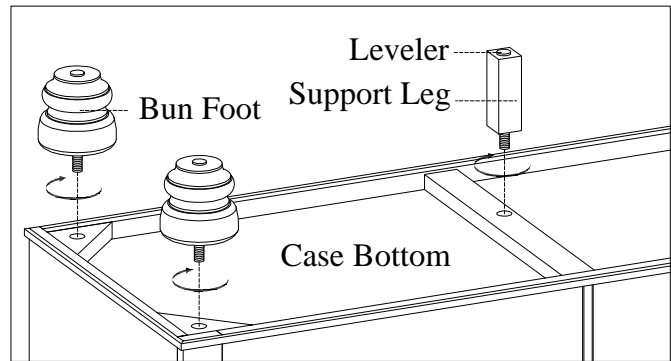


BEFORE USING THIS PRODUCT PLEASE READ, UNDERSTAND, AND FOLLOW THESE INSTRUCTIONS.

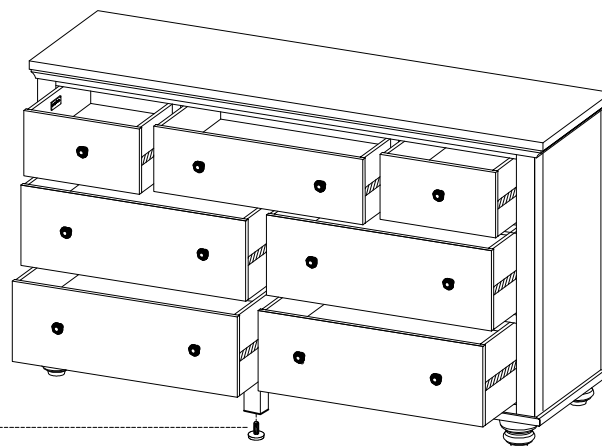
Save these instructions for future reference.

COMPONENTS LIST:			
No.	Description	Sketch	Quantity
1	Case		1 PC
2	Bun Foot		4 PCS
3	Support Leg		1 PC

**STEP 1:** Put the case top face down on a soft surface, Attach the bun feet and support leg to the bottom of case, Turn the case to the upright position.



### FUNCTIONALITY INSTRUCTION



Leveler on Support Leg

FOR INDOOR USE ONLY