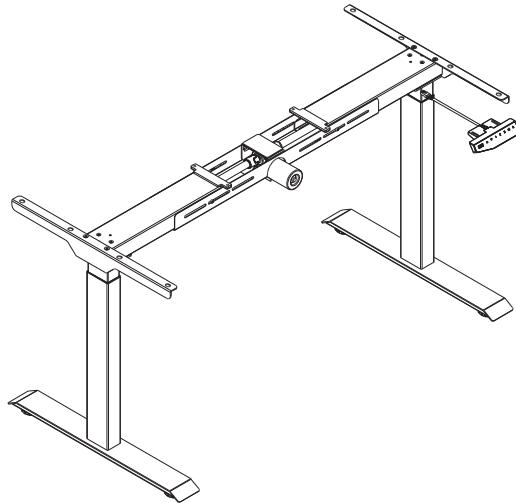


Lift Desk Mechanism Assembly Instructions



Safety Warning


- Never let children climb on the product or play with the product.
- Designed to be used with Aspenhome Lift Desk only.
- Do not use a desktop other than what is intended.
- The manufacturer is not liable for damage or injury caused by incorrect assembly or use.
- Keep the assembly instructions for future reference.

Additional Safety and Warning Information

This product can be used by children 13 years and older. Persons with reduced physical, sensory or mental capabilities or lack of experience and knowledge can only use this product if they have been given supervision or instruction in a safe way and understand the hazards involved. This product is not a toy and can only be used as a component of a complete lift desk.

Product Information

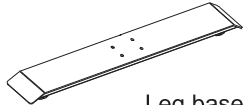
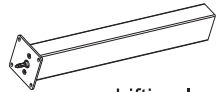
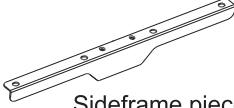
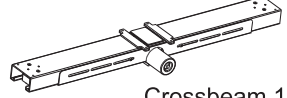
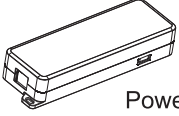
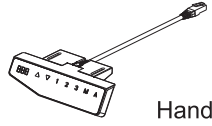
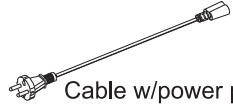

Electric Control:

- Input Voltage: 100-240VAC,50/60Hz,1.6A MAX,150W
- Output Voltage: MAX 29V ,MAX 3.0A

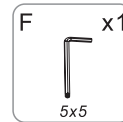
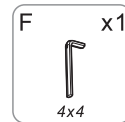
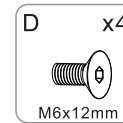
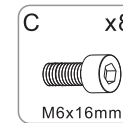
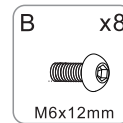
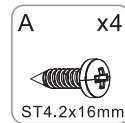
Desk Frame:

- Built limit switch
- Dynamic load: 40 kg(88 lbs)
- Maximum static load: 70 kg (154 lbs.)
- Load speed: 25 mm/s(~1 in/s)
- Lift range: 650 mm-1090 mm(25.6 in-43 in)

Component list

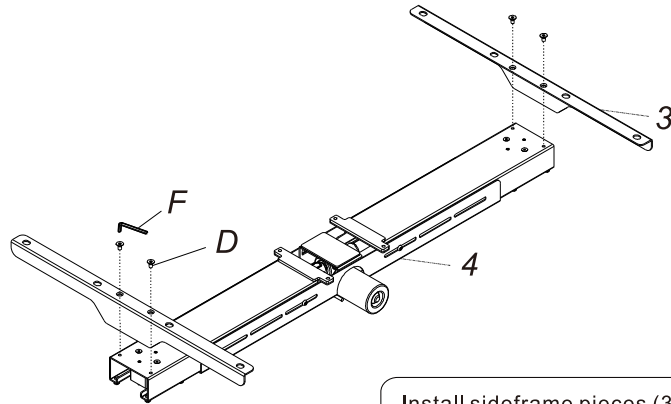
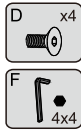
①	 Leg base 2PCS	②	 Lifting leg 2PCS
③	 Sideframe piece 2PCS	④	 Crossbeam 1PC
⑤	 Power box 1PC	⑥	 Handset 1PC
⑦	 Cable w/power plug 1PC	⑧	 Cable tray 4PCS

Accessory list



STEP 1

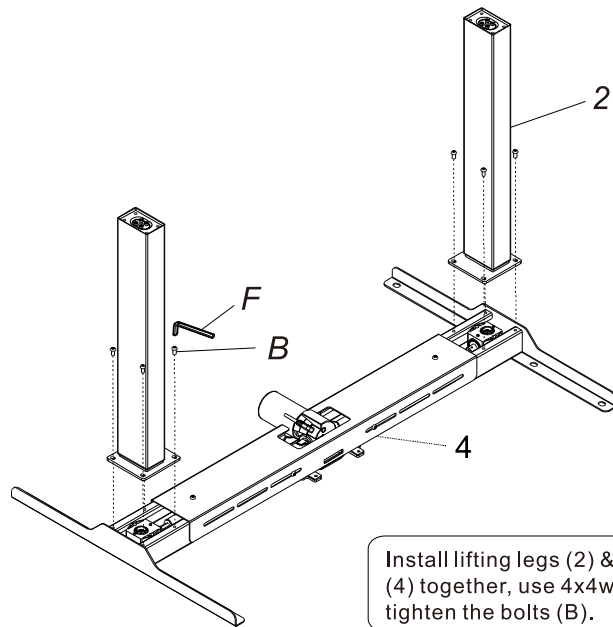
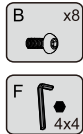
Install the Sideframe pieces(3)



Install sideframe pieces (3) & crossbeam (4) together, use 4x4 wrench(F) to tighten the bolts (D).

STEP 2

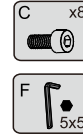
Install the Lifting Legs(2)



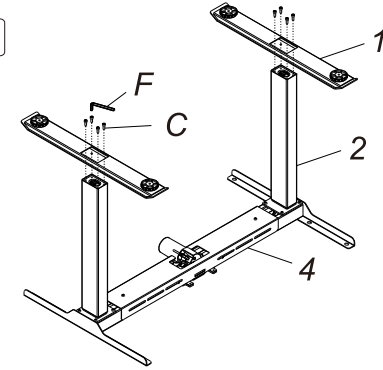
Install lifting legs (2) & crossbeam (4) together, use 4x4wrench (F) to tighten the bolts (B).

STEP 3

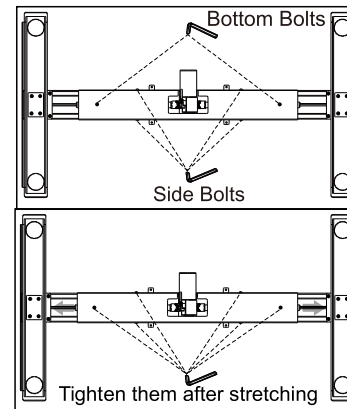
Install the Leg bases(1)



Install the leg bases (1) to the lifting legs (2), and tighten the bolts (C) with 5x5 Wrench (F).



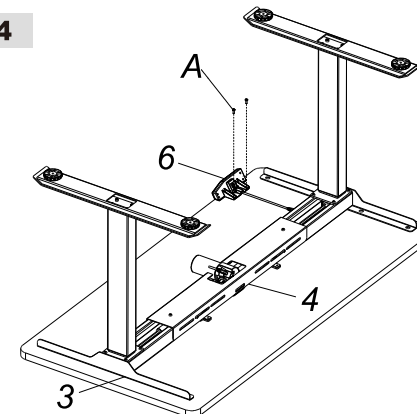
Extending Lift Mechanism Width



Instruction Actions:

- Loosen two bottom bolts and four side bolts. DO NOT remove any of the bolts at this time.
- Pull leg posts apart until the side frame holes line up with the holes in the bottom of the top.
 - If the side frame holes line up with the holes in the top, proceed back to product instructions.
 - If the side frame holes and posts need to be extended beyond the current side bolt slot limit, proceed to Action C.
- If posts need to be extended to the next slot, the four side bolts will need to be removed. DO NOT remove the two bottom bolts.
 - Remove the 4 side bolts and extend the side frames until the side frame holes line up with holes in the top.
 - Re-install the side bolts. If the side bolt holes do not line up with the slots, adjust the bottom bolts up or down until they line up.
 - Once side bolts are re-installed, proceed back to the product instructions.

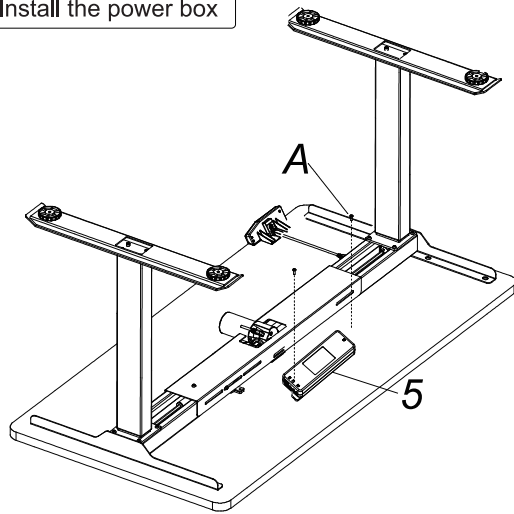
STEP 4



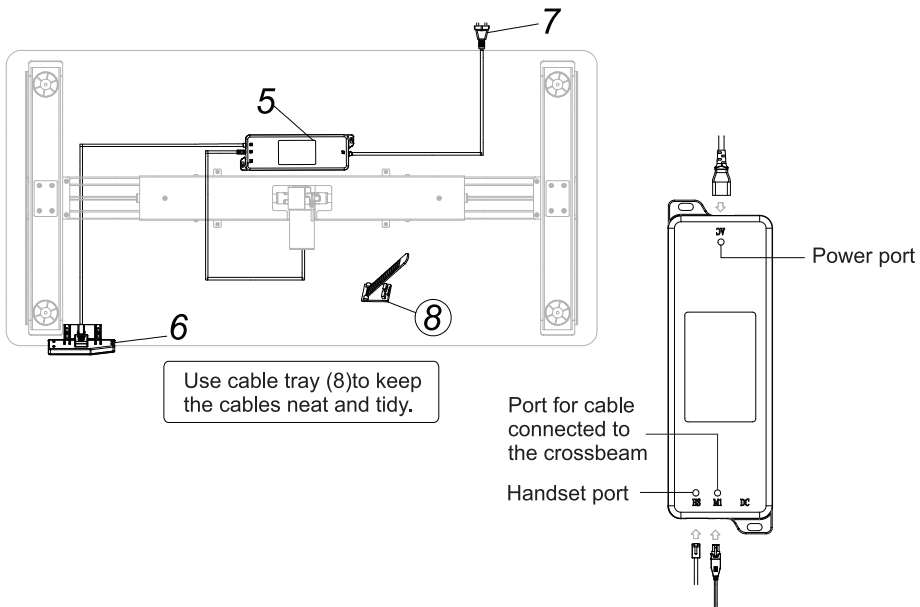
Install the tabletop and the handset (6)

Please follow assembly instructions from Desk Top for attaching Lift Mechanism to Desk Top.

STEP 5 Install the power box



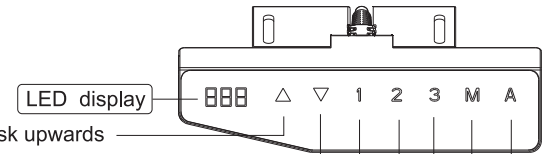
STEP 6 Connect all the cables onto the Power box(5)



Use cable tray (8) to keep the cables neat and tidy.

How to use handset

Button



- Up Bottom, Adjust the desk upwards
- Down Bottom, Adjust the desk downwards
- Position 1, first height position saved by user
- Position 2, second height position saved by user
- Position 3, third height position saved by user
- Memory button for height memory function
- Alarm button for reminding of keeping same position for long time

Instruction

- Press the UP button or DOWN button to lift or lower the height of desk surface. The LED display shows the real time value. The range of the height value: 650mm -1090mm (25.6 in - 43 in).

- Saving A Height Position
 - a. Press the UP button or DOWN button to lift or lower the height of desk surface. For instance, you adjust the height to 80cm.
 - b. Press "M" SAVE button and the LED display shows "5-", then press "1" to save the 1st height position to 80cm. The LED display shows "5-1".
 - c. Repeat step a and step b to save the 2nd height position to 100cm The LED display shows "5-2". Save the 3rd height position to 109cm The LED display shows "5-3".
 - d. Press "1", "2", "3", to automatically reach the height saved before.

- Long-Time Sitting Reminder
 - a. Press REMINDER button "A" to activate the function. The LED display shows "00"
 - b. Two seconds later, press the "▲" or "▼" button to adjust the reminder time only when the display screen flashes. Then press any button to save the time setup, or wait 5 seconds and system will save the time setup automatically. During the countdown, any operation will lead to a repeat starting of the timer. When the countdown finishes, the buzzer will be active with a 10-second "DiDi...DiDi...DiDi..."tone.
 - c. Within the 10-second reminder buzz, press any button to reactivate the time countdown that is set up in (b) step. If no operation during the 10-second reminder buzz, there will be another reminder buzz after 5 minutes. No operation during the second buzz will turn off the Long-Time Sitting Reminder.
 - d. Press and hold the "A" button for three seconds to turn off the Long-Time Sitting Reminder. The LED display shows "0FF".

Troubleshooting

- a. Reset: When the LED shows "R5f", press "▼" button until the desk reaches its lowest height and rebounds to stop, it means the reset has been finished.
- b. When it doesn't work and the LED shows "E01" or "E02", please retry 18 mins later.
- c. If the "▼" button doesn't work, please check the cable connection and then cut off the power for at least 10 seconds. Reconnect to the power and press "▼" button to start the reset process when it shows the "R5f".
- d. If all these above process are inefficient, plz contact our customer service.

Common fault treatment

The following tips will help you detected and eliminate the commont fault and error. If the fault you met is not listed below, please contact with your supplier. Only the manufacturer and professionals are capable for investigating and correcting those fault and error.

Fault phenomenon	Method
No response while long pressing down arrow after connected with a power supply	1. Check if all the cables be connected well
	2. Contact your supplier or dealer
No response while pressing up arrow/down arrow after connected with a power supply	1. Check if all the cables be connected well
	2. Contact your supplier or dealer
Rising in a low speed	1. Check if overloaded, max loading: 70kg;
	2. Contact your supplier or dealer
The motor not move as instructed	1. Contact your supplier or dealer
Go down but not go up	1. Reposition
	2. Contact your supplier or dealer
Downward sliding	1. Check if overloaded, max loading: 70kg;
	2. Contact your supplier or dealer
Frequently Reposition	1. Check if overloaded, max loading: 70kg;
	2. Contact your supplier or dealer
Overwork Duty cycle : Max 2min on/18min OFF!	1. Restart after suspend for 18mins while connecting with power;
	2. Contact your supplier or dealer
Not enough up&down height	1. Clear all obstacles under the table. Press "M"and"3"together for 3 seconds or more, after hearing continuous beeping for twice and the controller appears "RST".Then,touch and hold"▼"button until lowering the desk to the lowest position as the height is displaying on the screen.
	2. Contact your supplier or dealer

Attention

1. Power supply: AC100V-240V,50/60HZ
2. Service Environment: 0-40°
3. Unplug the power plug before cleaning, wipe the dust on surface with slight wet dishcloth when cleaning, be careful not to let moisture drop into the internal parts or the power connector.
4. The electric box contains electronic components, metals, plastics, wires etc., so dispose of it in accordance with each country's environmental legislation, not the general household waste.
5. Check carefully to ensure correct and complete assembly before using.
6. Be familiar with all functions and program settings of the product before first use.
7. Children are forbidden to play on the product because of unforeseen action when playing, so any dangerous consequences caused by this improper action will not be on.
8. Slight noise caused by the V-ribbed belt or brake system due to structure will not have any effect on the use of the equipment.
9. Corrosive or abrasive materials are forbidden to clean the equipment. Must ensure that the cleaner used will not pollute the environment.
10. This appliance can be used by children aged from 8 years and above and persons with reduced physical, sensory or mental capabilities or lack of experience and knowledge if they have been given supervision or instruction concerning use of the appliance in a safe way and understand the hazards involved. Children shall not play with the appliance.
11. Cleaning and user maintenance shall not be made by children without supervision.
12. If the supply cord is damaged, it must be replaced by the manufacturer, its service agent or a similarly qualified person in order to avoid a hazard.

Waste disposal



This marking indicates that this product should not be disposed with other household wastes. To prevent possible harm to the environment or human health from uncontrolled waste disposal, recycle it responsibly to promote the sustainable reuse of material resources. To return your used device, please use the return and collection systems or contact the retailer where the product was purchased. They can take this product for environmental safe recycling.

