



ITEM NO: A13-3680 Drew Exec Chair Luxe Tan
A13-3681 Drew Exec Chair Luxe Grey

Thank you for purchasing this quality product. Be sure to check all packing material carefully for small parts that may come loose inside the carton during shipment.

WARNING! Before using this product, please read, understand, and follow these instructions. Failure to follow each of these assembly instructions precisely may result in damage to the product and / or injury to the consumer.



UNIT SHOULD BE INSTALLED BY 2 OR MORE PERSONS.

A13-3680/3681



HARDWARE LIST:

No.	Description	Sketch	Quantity
A	Bolt Ø5/16" x 1-1/2"		4 PCS
B	Flat Washer Ø5/16" x 3/4"		4 PCS
C	Allen Wrench 4mm		1 PC

COMPONENTS LIST:

No.	Description	Sketch	Quantity
1	Pneumatic Cylinder		1 PC
2	Seat Plate		1 PC
3	Metal Base		1 PC
4	Seating Unit		1 PC
5	Caster		5 PCS

IMPORTANT SAFEGUARDS

NOTICE

This article meets California Bureau of Home Furnishings flammability requirements - Technical Bulletin 117. Exercise care with this product near open flame or burning cigarettes.

- Read all instructions before use.
- This product is intended for use as a seat for adults. Do not use the product for any other purpose.
- This product is not a toy. Keep the product away from children and pets.
- Always place the product on a flat, stable surface.
- Do not place the product near heat or open flames.
- Do not set heavy objects on the product.
- Never stand on the product or use it as a STEP ladder.
- To avoid a possible pinch hazard, never insert fingers, hands, or other body parts in between the product hinges and joints, especially when assembling or disassembling the product.
- Ensure all parts are securely attached before use. Periodically check the parts to ensure they are securely in place.
- We will not be responsible for any injury or death resulting from the improper use or care of this chair.

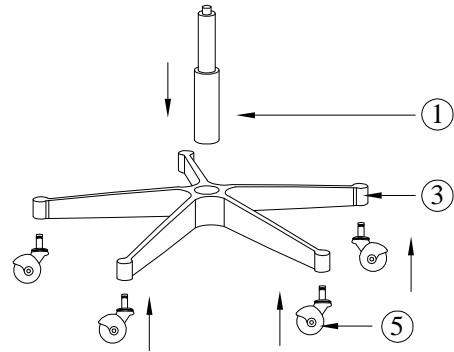
FOR INDOOR USE ONLY



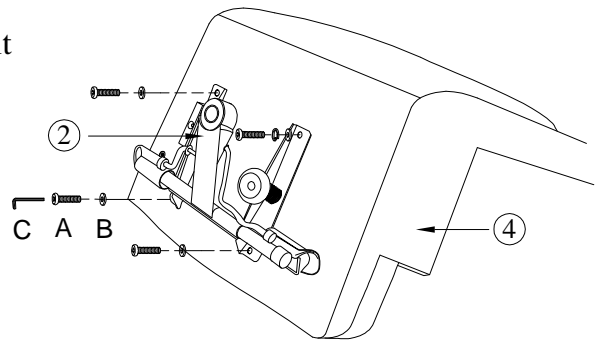
ITEM NO: A13-3680 Drew Exec Chair Luxe Tan
A13-3681 Drew Exec Chair Luxe Grey

STEP 1-1: Insert the Casters (5) into the outer holes on bottom of the Metal Base (3).

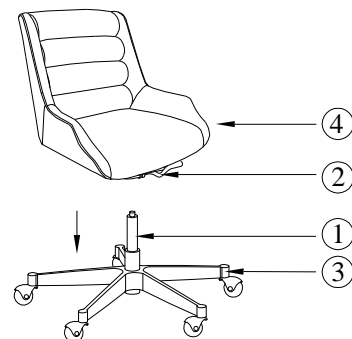
STEP 1-2: Insert the Pneumatic Cylinder (1) through the center hole on top of the Metal Base (3).



STEP 2: Attach the Seat Plate (2) to the Seating Unit (4) using Bolts (A) and Flat washers (B).



STEP 3: Place the Seating Unit (4) onto the Pneumatic Cylinder (1), aligning the top of the Pneumatic Cylinder (1) to the hole in the Seat Plate (2).





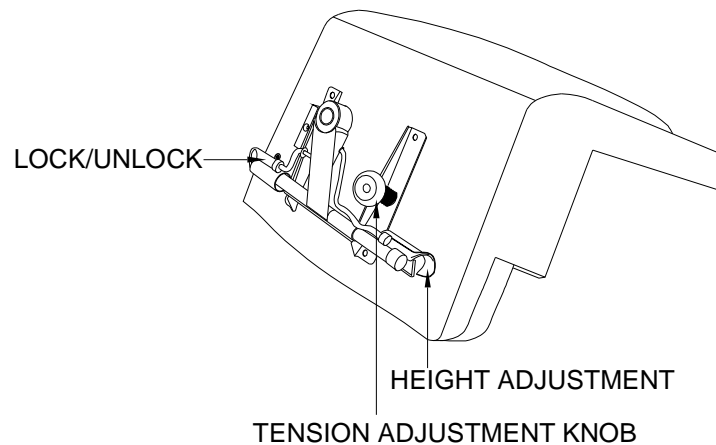
ITEM NO: A13-3680 Drew Exec Chair Luxe Tan
A13-3681 Drew Exec Chair Luxe Grey

WARNING: To avoid possible personal injury, ensure all screws are fully tightened before using the chair. Periodically check the screws and ensure that they remain fully tightened.

To Adjust:

Height Adjustment:

- To raise the seat height, remove weight from the seat and pull up on the Height Adjustment Leveler.
- To lower the seat height, while seated pull up slowly on the Height Adjustment Leveler until the seat is at the desired height.



Seat Tilt Tension Adjustment:

- To adjust the seat tilt tension, turn the Tension Adjustment Knob on the underside of the seat to the desired tension.
- To lock tilt function, slide the Lock/Unlock Leveler in toward center of chair.
- To unlock tilt function, pull Lock/Unlock Leveler outward.

Care and Maintenance:

- Check and securely tighten all product parts (hinges, bolts, screws, etc.) before each use.
- Inspect the product for wear and tear, rust, or cracked, broken, unstable parts before each use. Do not use the product if it is damaged or if the parts show any signs of instability or abnormal wear.
- Inspect the seat and seat back. If they are not intact or are damaged, discontinue use of this product.
- Dust the upholstered part of the chair with a soft cloth. If the upholstery becomes soiled, use a leather cleaner (follow the instructions provided for the cleaner).
- Clean all non-upholstered parts of the chair with a soft cloth.