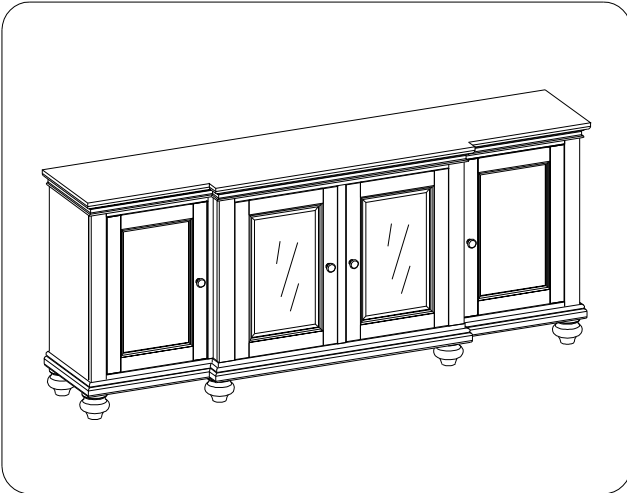




ITEM NO: I07-272-WBR/PEP/BLK 75" Console

Thank you for purchasing this quality product. Be sure to check all packing material carefully for small parts that may come loose inside the carton during shipment.



### TOOLS REQUIRED (NOT PROVIDED)

PHILLIPS SCREWDRIVER

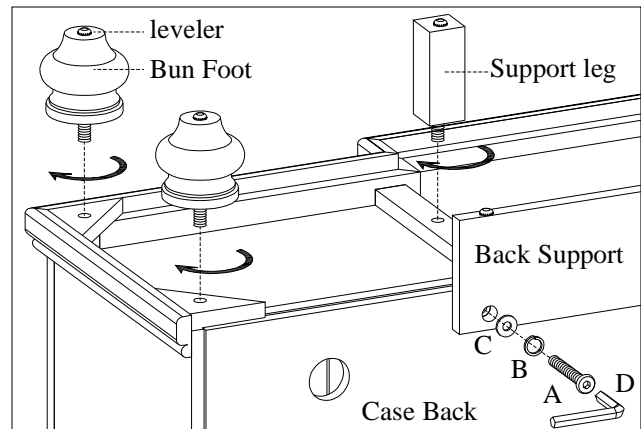
### COMPONENTS LIST:

No.	Description	Sketch	Quantity
1	Bun Foot		6 PCS
2	Middle Leg		2 PCS
3	Back Support Panel		1 PC

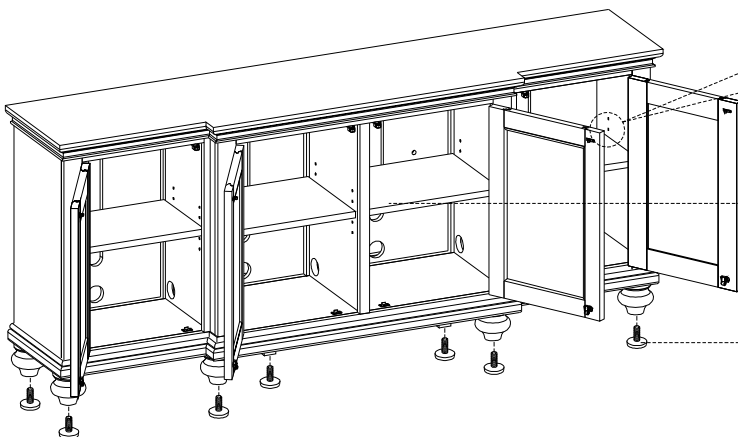
### HARDWARE LIST:

No.	Description	Sketch	Quantity
A	Bolt $\text{Ø}1/4" \times 1-3/8"$		2 PCS
B	Lock Washer $\text{Ø}1/4"$		2 PCS
C	Flat Washer $\text{Ø}1/4" \times 3/4"$		2 PCS
D	Allen Wrench 4mm		1 PC

**STEP 1:** Put the console upside down on a soft surface, Attach the bun feet, support legs and back support to the case using 2 bolts(A), lock washers(B) and flat washers(C). Turn the console to the upright position.



### FUNCTIONALITY INSTRUCTION



If you prefer to adjust the shelf location, remove the screws and move shelf brackets to the desired location. Then secure the brackets to shelf with screws.

Adjustable wood shelves

Adjust the leveler when necessary

Leveler on Bun feet, Support Legs and Back Support Panel

BEFORE USING THIS PRODUCT PLEASE READ, UNDERSTAND, AND FOLLOW THESE INSTRUCTIONS. Save these instructions for future reference.

FOR INDOOR USE ONLY