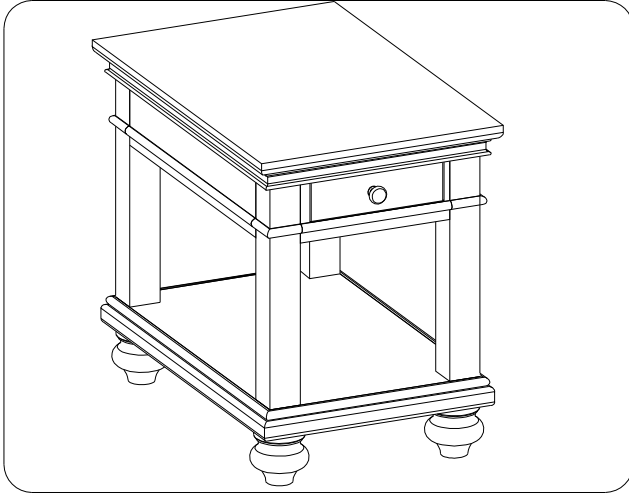




ITEM NO: I07-9130-WBR/PEP/BLK Chairside Table

Thank you for purchasing this quality product. Be sure to check all packing material carefully for small parts that may come loose inside the carton during shipment.

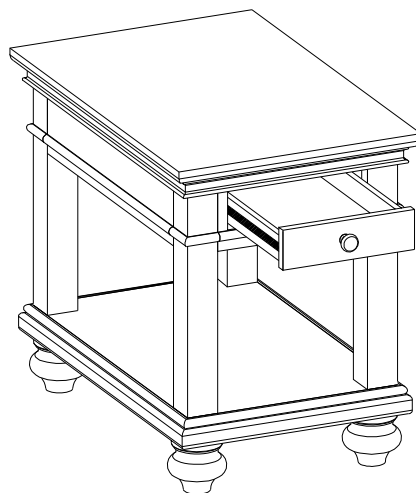


TOOLS REQUIRED (NOT PROVIDED)
PHILLIPS SCREWDRIVER

HARDWARE LIST:			
No.	Description	Sketch	Quantity
A	Bolt Ø5/16"*2"		8 PCS
B	Lock Washer Ø5/16"		8 PCS
C	Flat Washer Ø5/16" *3/4"		8 PCS
D	Allen Wrench 4mm		1 PC

COMPONENTS LIST:			
No.	Description	Sketch	Quantity
1	Table Top		1 PC
2	Bottom Shelf		1 PC
3	Leg		4 PCS
4	Bun Foot		4 PCS

FUNCTIONALITY INSTRUCTION



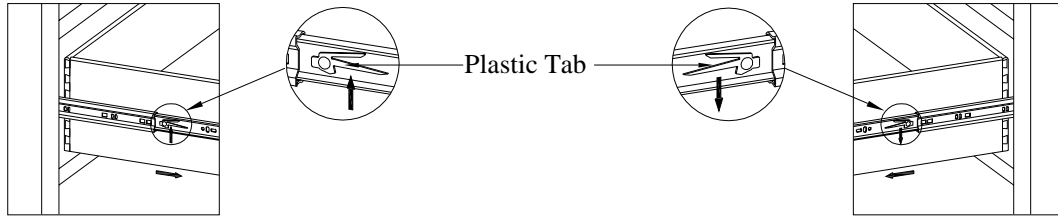
BEFORE USING THIS PRODUCT PLEASE READ, UNDERSTAND, AND FOLLOW THESE INSTRUCTIONS. Save these instructions for future reference.

FOR INDOOR USE ONLY

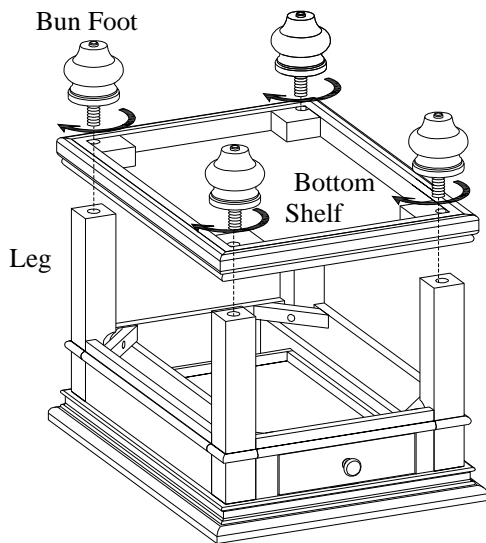
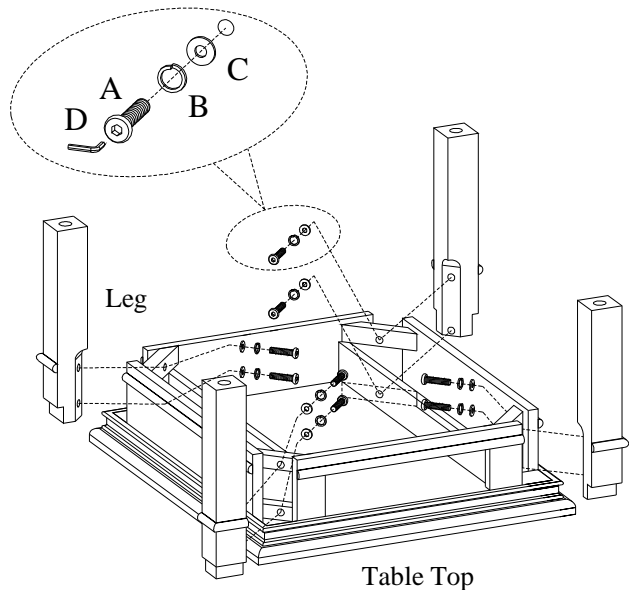


ITEM NO: I07-9130-WBR/PEP/BLK Chairside Table

STEP 1: Remove the drawer from the table top: Fully extend the drawer, then press the plastic tab down on the right and up on the left at the same time as shown below. While holding the tabs pressed down/up, pull the drawer out.



STEP 2: Attach the legs to the table top using 8 bolts(A), lock washers(B) and flat washers(C). Push the drawer back in.



STEP 3: Attach the bottom shelf to the legs with bun feet. Turn the table to the upright position.

STEP 4: Replace the drawer in table top: Fully extend the slides from the case. Then align the slides on the drawer to the slides on the case as shown. Push the drawer back in. You may have to slide the drawer in and out several times in order to properly align the ball bearings.

