



ITEM NO: I07-9150-WBR/PEP/BLK Sofa Table

Thank you for purchasing this quality product. Be sure to check all packing material carefully for small parts that may come loose inside the carton during shipment.

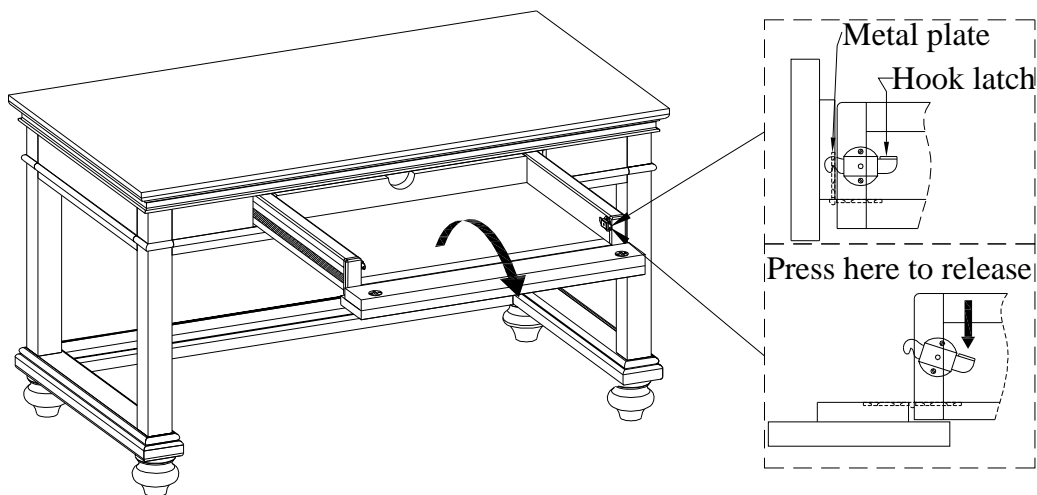


TOOLS REQUIRED (NOT PROVIDED)
PHILLIPS SCREWDRIVER

HARDWARE LIST:			
No.	Description	Sketch	Quantity
A	Bolt Ø5/16"*2"		8 PCS
B	Lock Washer Ø5/16"		8 PCS
C	Flat Washer Ø5/16" *3/4"		8 PCS
D	Allen Wrench 4mm		1 PC

COMPONENTS LIST:			
No.	Description	Sketch	Quantity
1	Table Top		1 PC
2	U Stretcher		1 PC
3	Leg		4 PCS
4	Bun Foot		4 PCS

FUNCTIONALITY INSTRUCTION



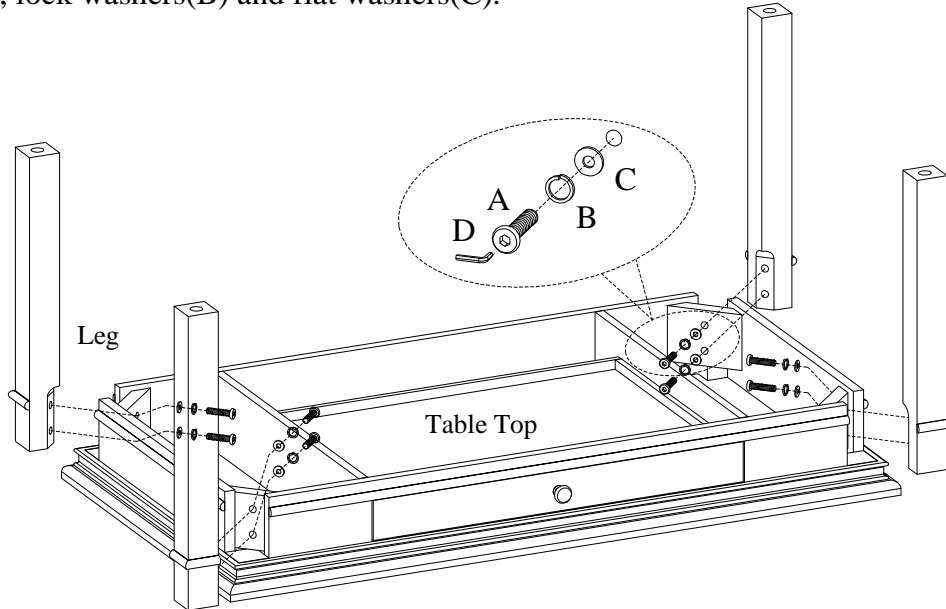
BEFORE USING THIS PRODUCT PLEASE READ, UNDERSTAND, AND FOLLOW THESE INSTRUCTIONS. Save these instructions for future reference.

FOR INDOOR USE ONLY



ITEM NO: I07-9150-WBR/PEP/BLK Sofa Table

STEP 1: Put the table top upside down on a soft surface, Attach the legs to the table top using 8 bolts(A), lock washers(B) and flat washers(C).



STEP 2: Attach the U Stretcher to the legs with bun feet. Turn the table to the upright position.

