



ITEM NO: I07-455-WBR/PEP/BLK Chesser

Thank you for purchasing this quality product. Be sure to check all packing material carefully for small parts that may come loose inside the carton during shipment.



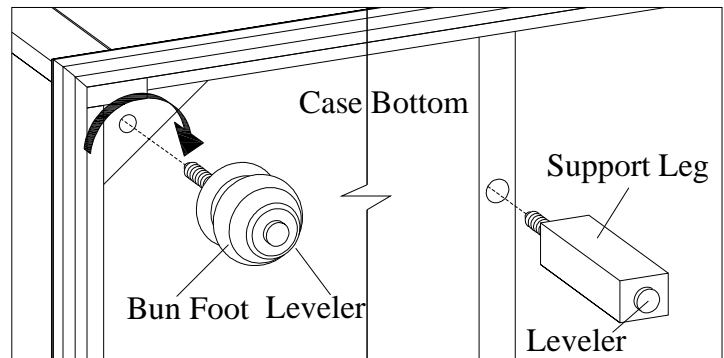
BEFORE USING THIS PRODUCT PLEASE READ, UNDERSTAND, AND FOLLOW THESE INSTRUCTIONS.

Save these instructions for future reference.

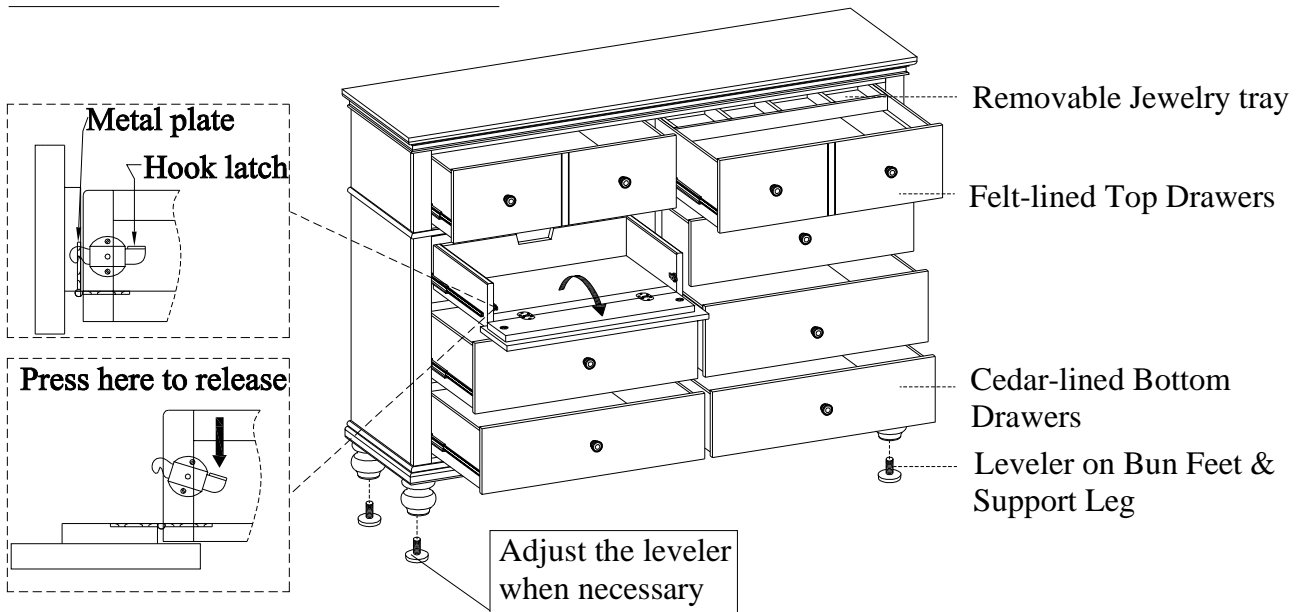
COMPONENTS LIST:

No.	Description	Sketch	Quantity
1	Case		1 PC
2	Bun Foot		4 PCS
3	Support Leg		1 PC

STEP 1: Put the case backside down on a soft surface, Attach the bun feet and support leg to the bottom of case, Turn the case to the upright position.



FUNCTIONALITY INSTRUCTION

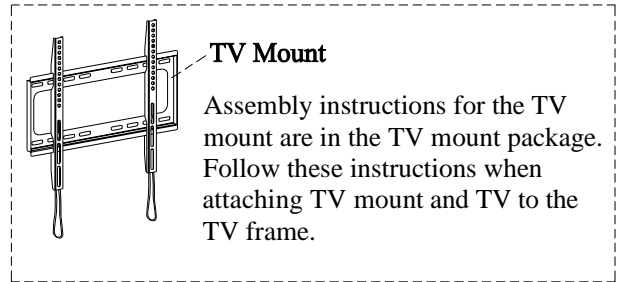
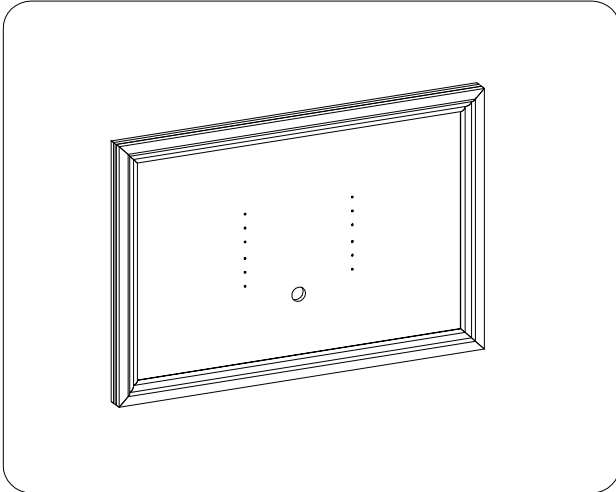


FOR INDOOR USE ONLY



ITEM NO: I07-487-WBR/PEP/BLK TV Frame w/TV Mount (for -455)

Thank you for purchasing this quality product. Be sure to check all packing material carefully for small parts that may come loose inside the carton during shipment.



HARDWARE LIST:			
No.	Description	Sketch	Quantity
A	Bolt Ø1/4"*1-9/16"		8 PCS
B	Lock Washer Ø1/4"		8 PCS
C	Flat Washer Ø1/4" *3/4"		8 PCS
D	Allen Wrench 4mm		1 PC

TOOLS REQUIRED (NOT PROVIDED)	
PHILLIPS SCREWDRIVER	

COMPONENTS LIST:			
No.	Description	Sketch	Quantity
1	TV Frame		1 PC
2	Metal Strip		2 PCS
3	TV Mount		1 Set

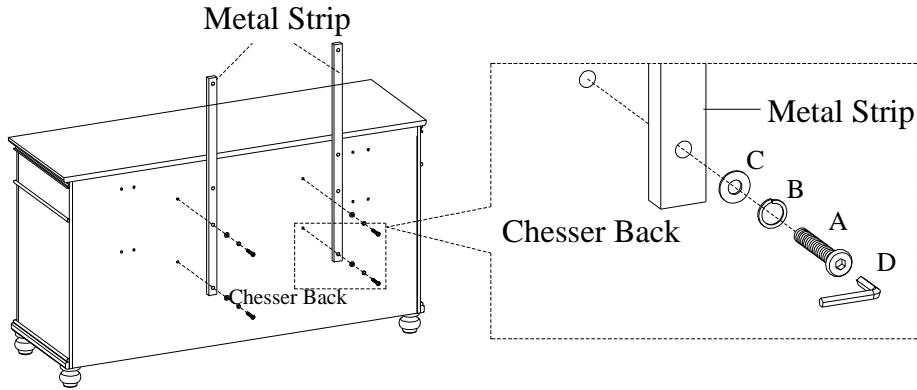
BEFORE USING THIS PRODUCT PLEASE READ, UNDERSTAND, AND FOLLOW THESE INSTRUCTIONS. Save these instructions for future reference.

FOR INDOOR USE ONLY

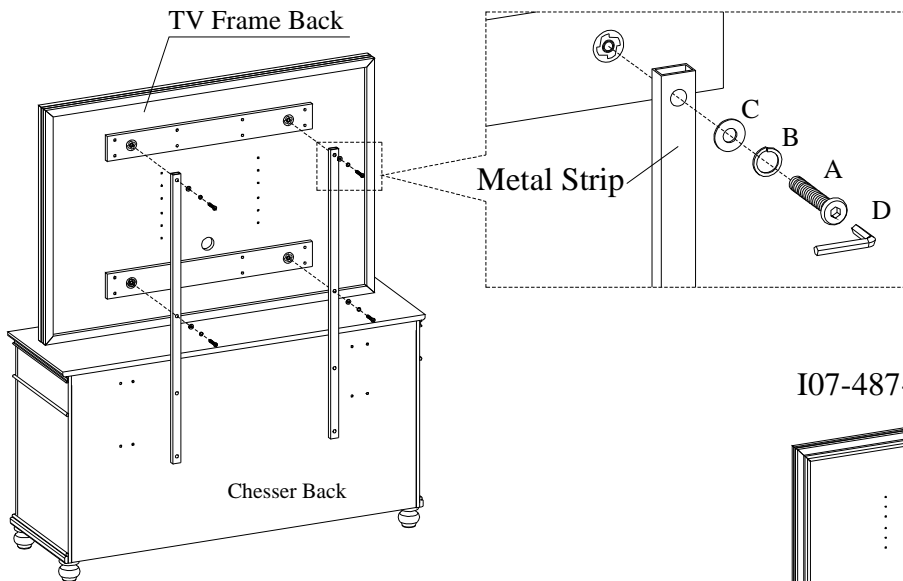


ITEM NO: I07-487-WBR/PEP/BLK TV Frame w/TV Mount (for -455)

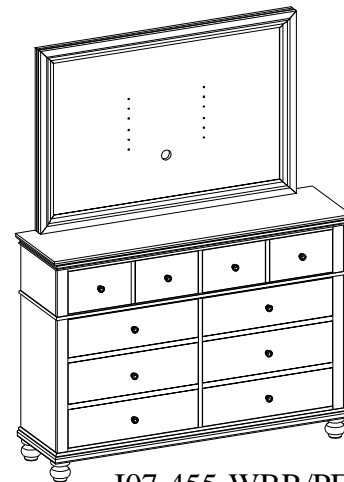
STEP 1: Attach the metal strips to the chesser by using 4 bolts (A), lock washers (B) and flat washers (C). See below. Do not tighten the bolts completely.



STEP 2: Attach the metal strips to the TV frame by using 4 bolts (A), lock washers (B) and flat washers (C). Tighten all the bolts on TV frame and Chesser with Allen wrench.



I07-487-WBR/PEP/BLK



I07-455-WBR/PEP/BLK

FOR INDOOR USE ONLY