



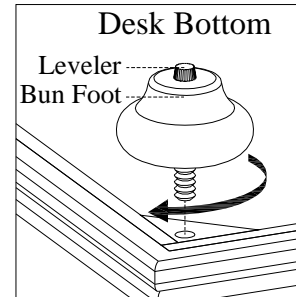
ITEM NO: I07-316-PEP/WBR 66" Credenza Desk

Thank you for purchasing this quality product. Be sure to check all packing material carefully for small parts that may come loose inside the carton during shipment.



TOOLS REQUIRED (NOT PROVIDED)	
PHILLIPS SCREWDRIVER	

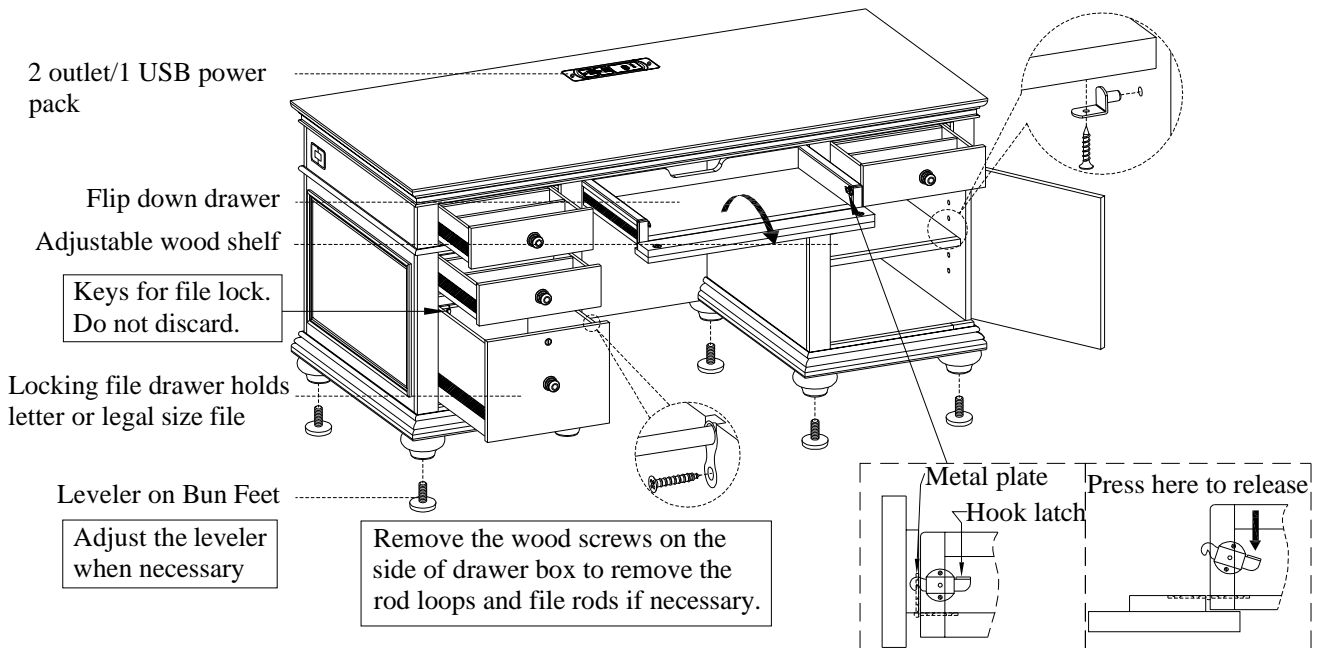
COMPONENTS LIST:			
No.	Description	Sketch	Quantity
1	Desk		1 PC
2	Bun Foot		8 PCS



STEP 1: Put the desk upside down on a soft surface and attach the bun feet to the bottom of the desk. Return the desk to the upright position.

FUNCTIONALITY INSTRUCTION

If you prefer to adjust the shelf location, remove the screws and move shelf brackets to the desired location. Then secure the brackets to shelf with screws.



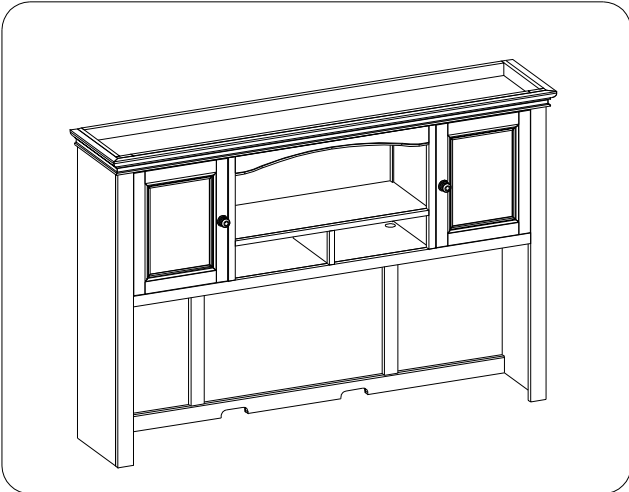
BEFORE USING THIS PRODUCT PLEASE READ, UNDERSTAND, AND FOLLOW THESE INSTRUCTIONS. Save these instructions for future reference.

FOR INDOOR USE ONLY



ITEM NO: I07-317-PEP/WBR 66" Hutch

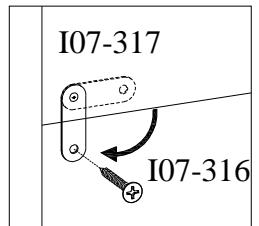
Thank you for purchasing this quality product. Be sure to check all packing material carefully for small parts that may come loose inside the cartan during shipment.



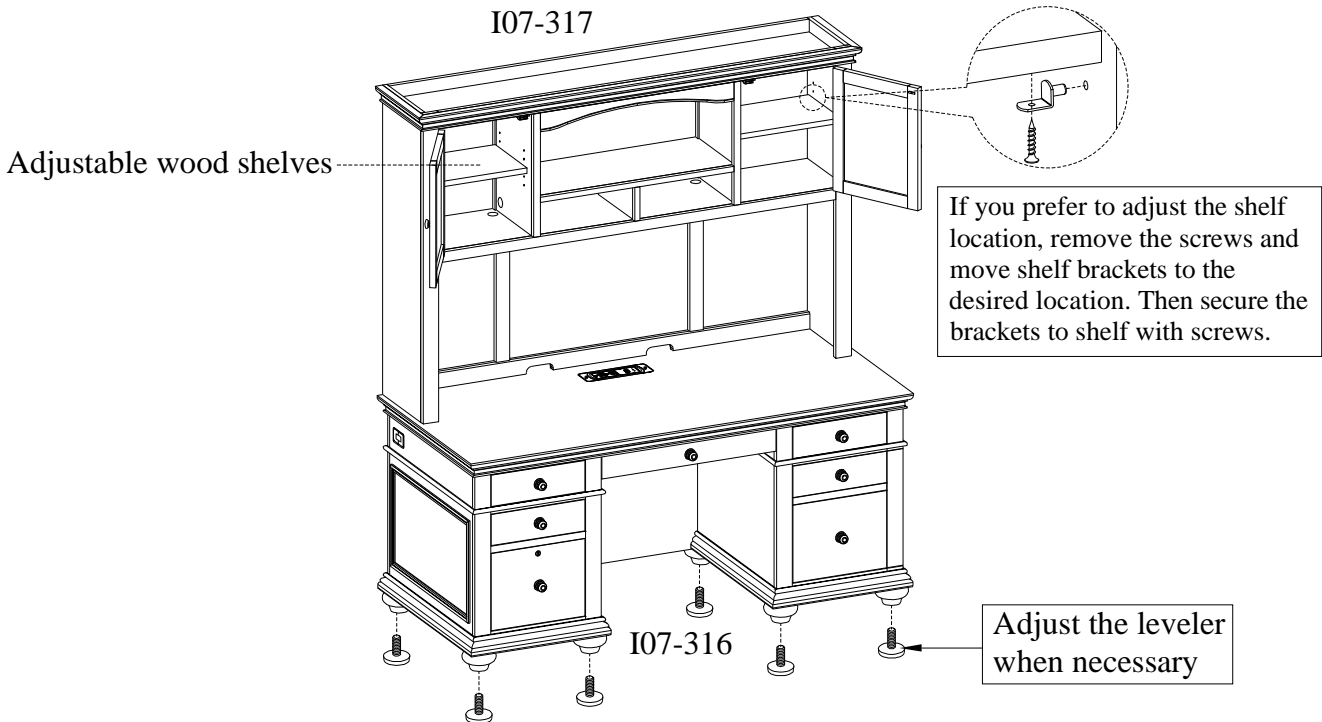
TOOLS REQUIRED (NOT PROVIDED)

PHILLIPS SCREWDRIVER

STEP 1: Put the hutch on the credenza top. Take off one screw from each metal plate on the back of hutch and swing it into an ideal location as shown to the right. Then re-secure the metal plate with screw to credenza.



FUNCTIONALITY INSTRUCTION



Adjustable wood shelves

If you prefer to adjust the shelf location, remove the screws and move shelf brackets to the desired location. Then secure the brackets to shelf with screws.

Adjust the leveler when necessary

BEFORE USING THIS PRODUCT PLEASE READ, UNDERSTAND, AND FOLLOW THESE INSTRUCTIONS. Save these instructions for future reference.

FOR INDOOR USE ONLY