

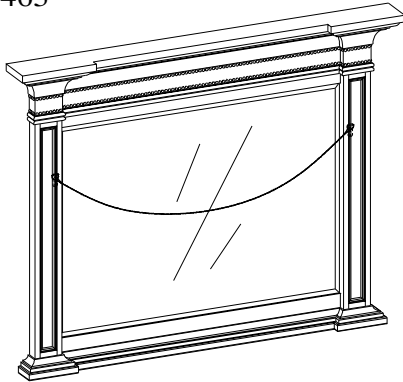


ITEM NO: I201-463 Estate Mirror

Thank you for purchasing this quality product. Be sure to check all packing material carefully for small parts that may come loose inside the cartan during shipment.

OPTION 1: Wall Mount

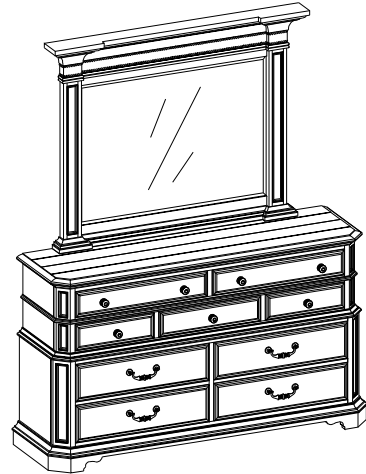
I201-463







OPTION 2: Dresser Mount

I201-463

I201-454





HARDWARE LIST:

No.	Description	Sketch	Quantity
A	Bolts Ø1/4"*1-3/8"		8 PCS
B	Lock Washer Ø1/4"		8 PCS
C	Flat Washer Ø1/4" *3/4"		8 PCS
D	Allen Wrench 4mm		1 PC

TOOLS REQUIRED (NOT PROVIDED)

PHILLIPS SCREWDRIVER

COMPONENTS LIST:

No.	Description	Sketch	Quantity
1	Mirror		1 PC
2	Back Support Rail		2 PCS

BEFORE USING THIS PRODUCT PLEASE READ, UNDERSTAND, AND FOLLOW THESE INSTRUCTIONS. Save these instructions for future reference.

FOR INDOOR USE ONLY

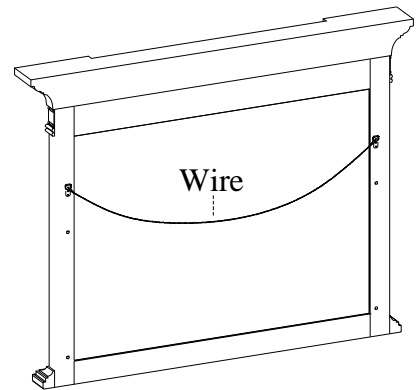


ITEM NO: I201-463 Estate Mirror

FOR OPTION 1 (Wall Mount)

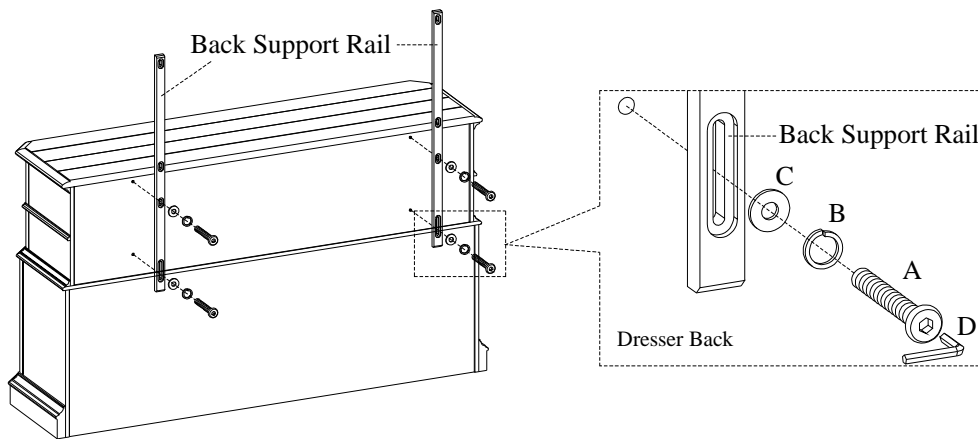
STEP 1: After attaching nail/hanger to wall, place wire over nail/hanger and slowly lower the mirror into place. Make sure the wire catches on the nail/hanger.

Note: Ensure the nail/hanger is in a wall stud or wall solid enough to support mirror.



FOR OPTION 2 (Dresser Mount)

STEP 1: Attach the back support rails to the dresser by using 4 bolts(A), lock washers(B), and flat washers(C). Do not tighten bolts completely.



STEP 2: Attach the wood strips to the mirror by using 4 bolts(A), lock washers(B), and flat washers(C). Tighten all bolts on dresser and mirror with Allen wrench(D).

