

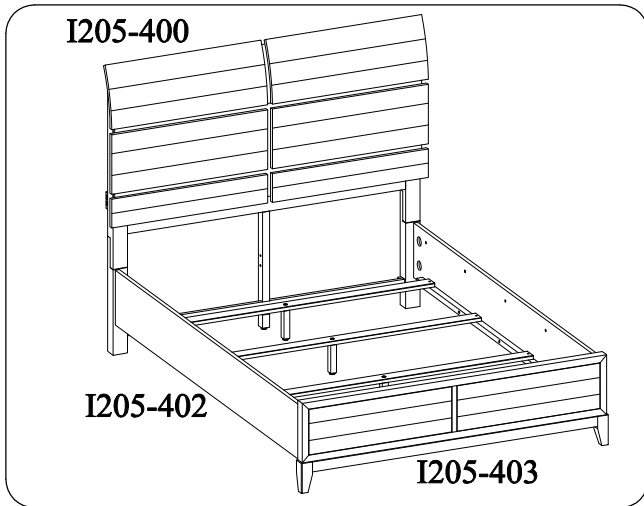


ITEM NO: I205-400      Queen Sleigh HB  
 I205-402      Queen Rails  
 I205-403      Queen Low Profile FB

Thank you for purchasing this quality product. Be sure to check all packing material carefully for small parts that may come loose inside the carton during shipment.



**UNIT SHOULD BE INSTALLED BY 2 OR MORE PERSONS.**



All Beds need to be set up in the exact final location so that after full assembly it will not need to be moved. Moving the bed will cause the support legs to move out of perpendicular (90 degree), weaken the support system, and may allow the bed to collapse.

|                                      |
|--------------------------------------|
| <b>TOOLS REQUIRED (NOT PROVIDED)</b> |
| <b>PHILLIPS SCREWDRIVER</b>          |

| HARDWARE LIST: I205-400 |                           |        |          |
|-------------------------|---------------------------|--------|----------|
| No.                     | Description               | Sketch | Quantity |
| A                       | Bolt Ø1/4" x 1-1/2"       |        | 6 PCS    |
| B                       | Lock Washer Ø1/4"         |        | 6 PCS    |
| C                       | Flat Washer Ø1/4" x 3/4"  |        | 6 PCS    |
| D                       | Bolt Ø5/16" x 2-1/4"      |        | 6 PCS    |
| E                       | Lock Washer Ø5/16"        |        | 6 PCS    |
| F                       | Flat Washer Ø5/16" x 3/4" |        | 6 PCS    |
| G                       | Allen Wrench 4mm          |        | 1 PC     |

| COMPONENTS LIST: I205-400 |                    |        |          |
|---------------------------|--------------------|--------|----------|
| No.                       | Description        | Sketch | Quantity |
| 1                         | Headboard          |        | 1 PC     |
| 2                         | Left Leg           |        | 1 PC     |
| 3                         | Right Leg          |        | 1 PC     |
| 4                         | Wood Stretcher     |        | 1 PC     |
| 5                         | Center Support Leg |        | 1 PC     |

| HARDWARE LIST: I205-402 |                             |        |          |
|-------------------------|-----------------------------|--------|----------|
| No.                     | Description                 | Sketch | Quantity |
| H                       | Hanger Bolt Ø5/16" x 3-3/8" |        | 8 PCS    |
| I                       | Half Moon Washer Ø5/16"     |        | 8 PCS    |
| J                       | Lock Washer Ø5/16"          |        | 8 PCS    |
| K                       | Hex Nut Ø5/16"              |        | 8 PCS    |
| L                       | Hex Wrench 12mm             |        | 1 PC     |
| M                       | Wood Screw #8 x 1"          |        | 8 PCS    |

| COMPONENTS LIST: I205-402 |             |        |          |
|---------------------------|-------------|--------|----------|
| No.                       | Description | Sketch | Quantity |
| 1                         | Bed rails   |        | 2 PCS    |
| 2                         | Slats       |        | 4 PCS    |

| COMPONENTS LIST: I205-403 |                         |        |          |
|---------------------------|-------------------------|--------|----------|
| No.                       | Description             | Sketch | Quantity |
| 1                         | Footboard               |        | 1 PC     |
| 2                         | Support Leg (for slats) |        | 4 PCS    |

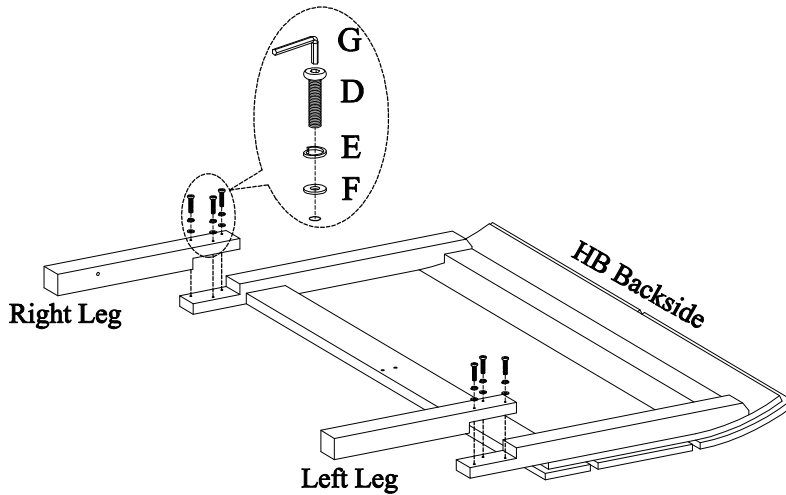
**BEFORE USING THIS PRODUCT PLEASE READ, UNDERSTAND, AND FOLLOW THESE INSTRUCTIONS.**  
 Save these instructions for future reference.

**FOR INDOOR USE ONLY**

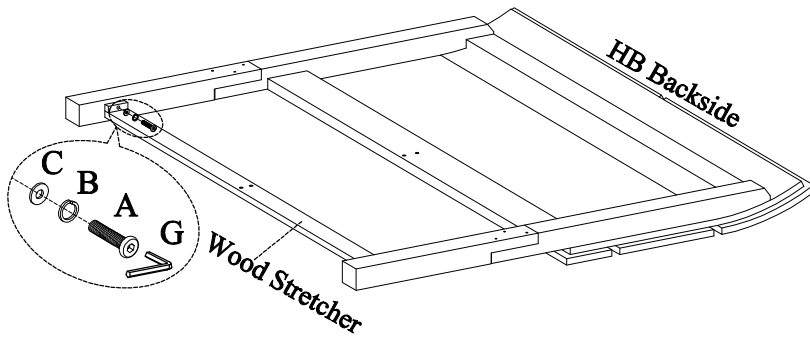


ITEM NO: I205-400      Queen Sleigh HB  
                  I205-402      Queen Rails  
                  I205-403      Queen Low Profile FB

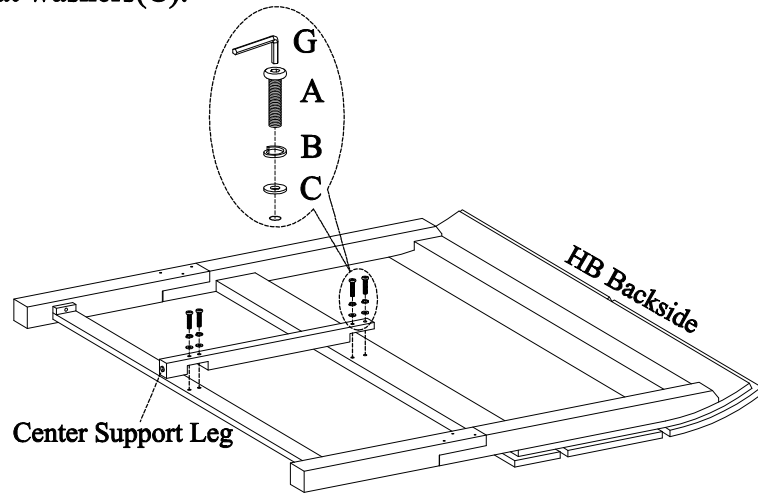
**STEP 1:** Lay the headboard face down on a soft surface. Attach the left leg and right leg to headboard by using 6 bolts(D), lock washers(E) and flat washers(F).

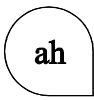


**STEP 2:** Attach the wood stretcher to the legs by using 2 bolts(A), lock washers(B) and flat washers(C).



**STEP 3:** Attach the center support leg to headboard and wood stretcher by using 4 bolts(A), lock washers(B) and flat washers(C).

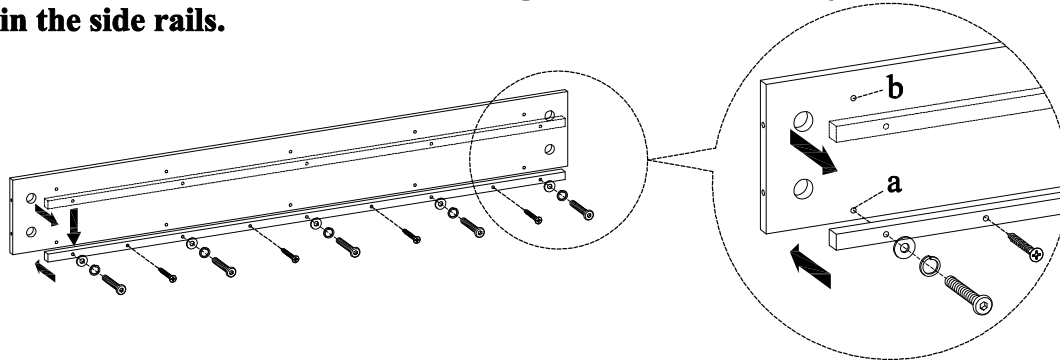




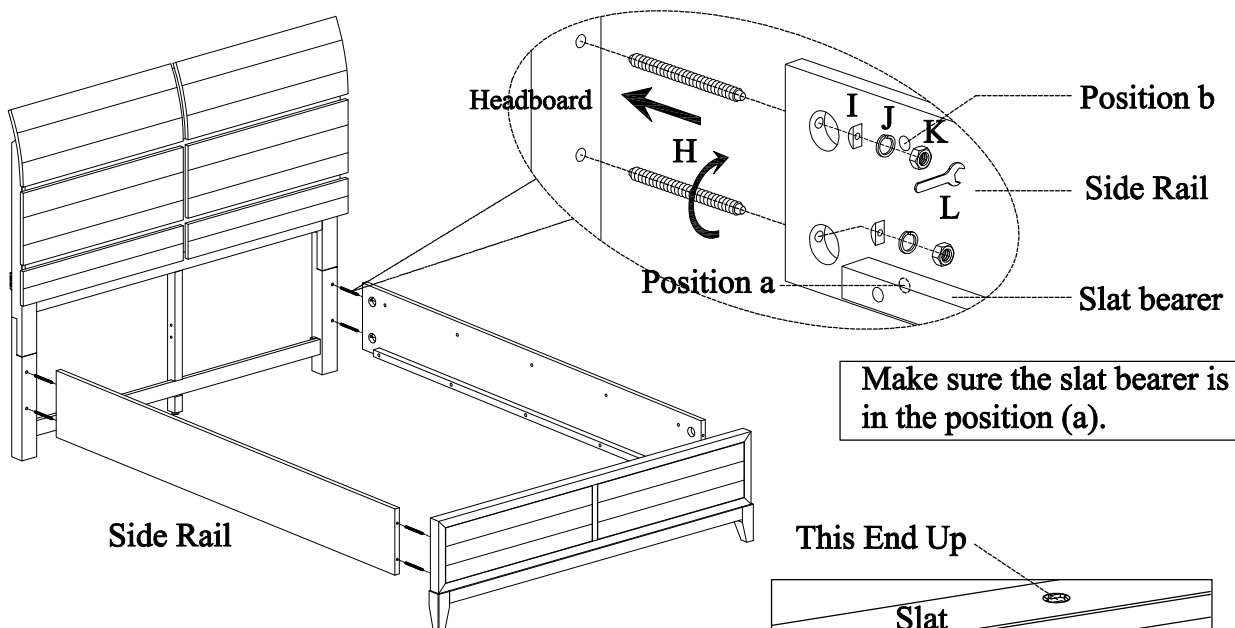
ITEM NO: I205-400  
I205-402  
I205-403

Queen Sleigh HB  
Queen Rails  
Queen Low Profile FB

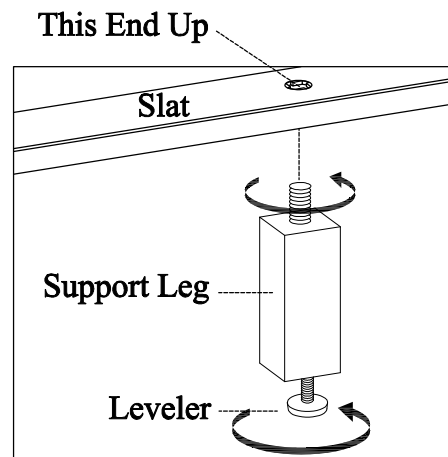
**STEP 4:** The slat bearers have been attached in position (b) approximately 2" from the top of the side rails for use with a storage footboard. The slat bearers must be moved into position (a) based on this bed configuration. Remove the bolts and screws from the slat bearers and side rails as shown below. Then re-attach the slat bearers to the side rails in position (a) with bolts, lock washers, flat washers, and screws. **Caution: Do not over tighten bolts as this may loosen the threaded inserts in the side rails.**

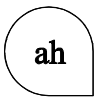


**STEP 5:** Screw the bolts(H) into HB & FB. Make sure the slat bearer is in the position (a). Align the bolts with the holes in the end of side rails and attach the side rails to HB & FB using half moon washers(I), lock washers(J) and nuts (K). Then use a hex wrench to tighten all the nuts.



**STEP 6:** Attach the support legs with leveler to the slats. Adjust the levelers on bottom of support legs when necessary.

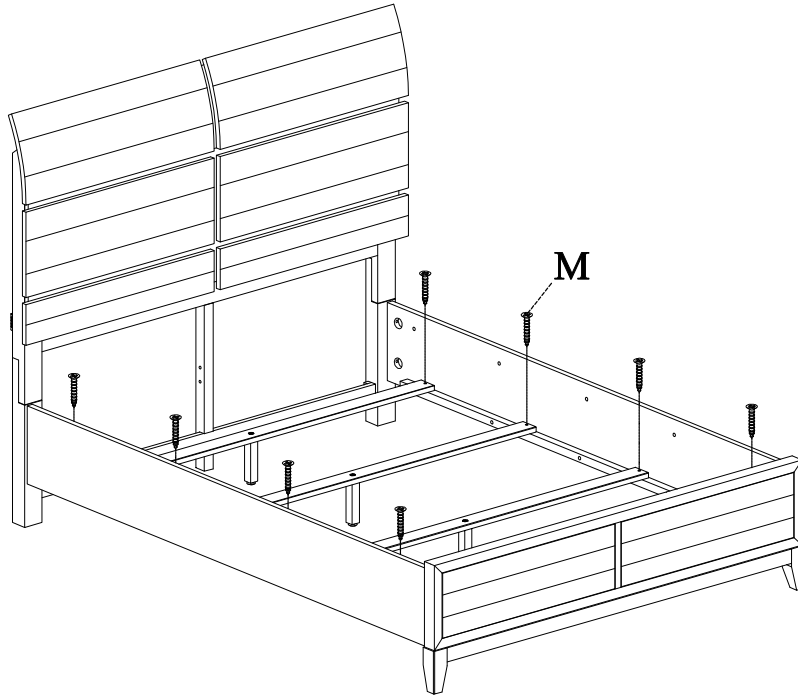




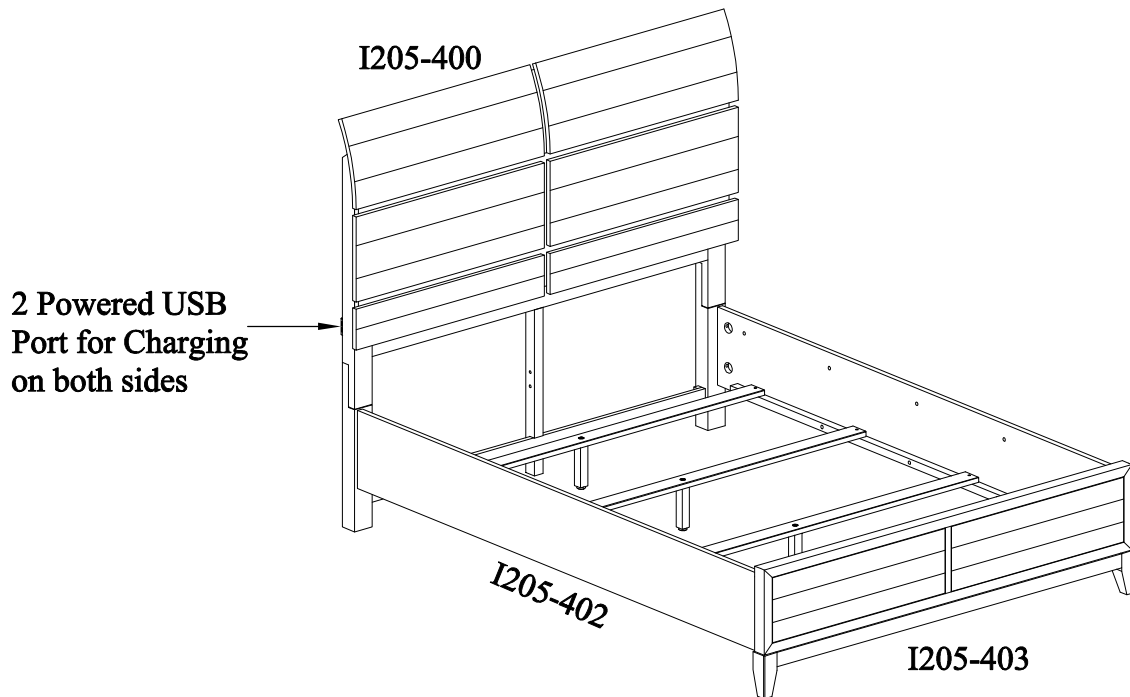
ITEM NO: I205-400  
I205-402  
I205-403

Queen Sleigh HB  
Queen Rails  
Queen Low Profile FB

**STEP 7:** Arrange the slats on the slat bearers equally and attach to the slat bearers with wood screws (M).



### FUNCTIONALITY INSTRUCTION



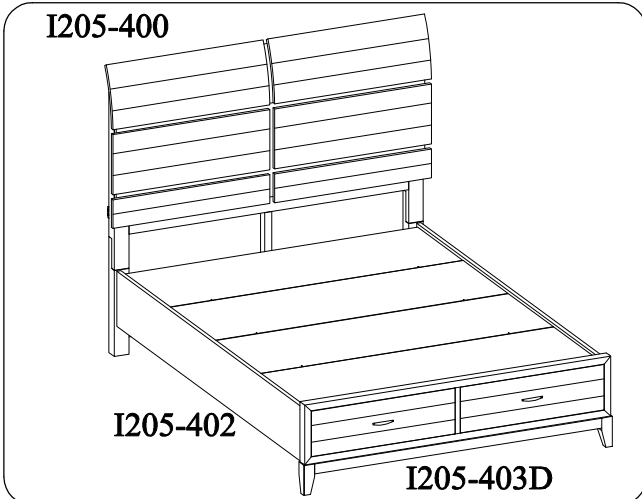


ITEM NO: I205-400      Queen Sleigh HB  
 I205-402      Queen Rails  
 I205-403D      Queen Storage FB

Thank you for purchasing this quality product. Be sure to check all packing material carefully for small parts that may come loose inside the carton during shipment.



**UNIT SHOULD BE INSTALLED BY 2 OR MORE PERSONS.**



All Beds need to be set up in the exact final location so that after full assembly it will not need to be moved. Moving the bed will cause the support legs to move out of perpendicular (90 degree), weaken the support system, and may allow the bed to collapse.

|                               |
|-------------------------------|
| TOOLS REQUIRED (NOT PROVIDED) |
| PHILLIPS SCREWDRIVER          |

**HARDWARE LIST: I205-400**

| No. | Description               | Sketch | Quantity |
|-----|---------------------------|--------|----------|
| A   | Bolt Ø1/4" x 1-1/2"       |        | 6 PCS    |
| B   | Lock Washer Ø1/4"         |        | 6 PCS    |
| C   | Flat Washer Ø1/4" x 3/4"  |        | 6 PCS    |
| D   | Bolt Ø5/16" x 2-1/4"      |        | 6 PCS    |
| E   | Lock Washer Ø5/16"        |        | 6 PCS    |
| F   | Flat Washer Ø5/16" x 3/4" |        | 6 PCS    |
| G   | Allen Wrench 4mm          |        | 1 PC     |

**HARDWARE LIST: I205-402**

| No. | Description                 | Sketch | Quantity |
|-----|-----------------------------|--------|----------|
| H   | Hanger Bolt Ø5/16" x 3-3/8" |        | 8 PCS    |
| I   | Half Moon Washer Ø5/16"     |        | 8 PCS    |
| J   | Lock Washer Ø5/16"          |        | 8 PCS    |
| K   | Hex Nut Ø5/16"              |        | 8 PCS    |
| L   | Hex Wrench 12mm             |        | 1 PC     |
| M   | Wood Screw #8 x 1"          |        | 8 PCS    |

**HARDWARE LIST: I205-403D**

| No. | Description              | Sketch | Quantity |
|-----|--------------------------|--------|----------|
| N   | Bolt Ø1/4" x 1-1/2"      |        | 8 PCS    |
| O   | Lock Washer Ø1/4"        |        | 8 PCS    |
| P   | Flat Washer Ø1/4" x 5/8" |        | 8 PCS    |
| Q   | Allen Wrench 4mm         |        | 1 PC     |
| R   | Wood Screw #8 x 3/4"     |        | 8 PCS    |

**COMPONENTS LIST: I205-400**

| No. | Description        | Sketch | Quantity |
|-----|--------------------|--------|----------|
| 1   | Headboard          |        | 1 PC     |
| 2   | Left Leg           |        | 1 PC     |
| 3   | Right Leg          |        | 1 PC     |
| 4   | Wood Stretcher     |        | 1 PC     |
| 5   | Center Support Leg |        | 1 PC     |

**COMPONENTS LIST: I205-402**

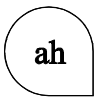
| No. | Description | Sketch | Quantity |
|-----|-------------|--------|----------|
| 1   | Bed rails   |        | 2 PCS    |
| 2   | Slats       |        | 4 PCS    |

**COMPONENTS LIST: I205-403D**

| No. | Description                   | Sketch | Quantity |
|-----|-------------------------------|--------|----------|
| 1   | Footboard                     |        | 1 PC     |
| 2   | Support Leg (for center rail) |        | 2 PCS    |
| 3   | Decking                       |        | 4 PCS    |
| 4   | Center rail                   |        | 1 PC     |

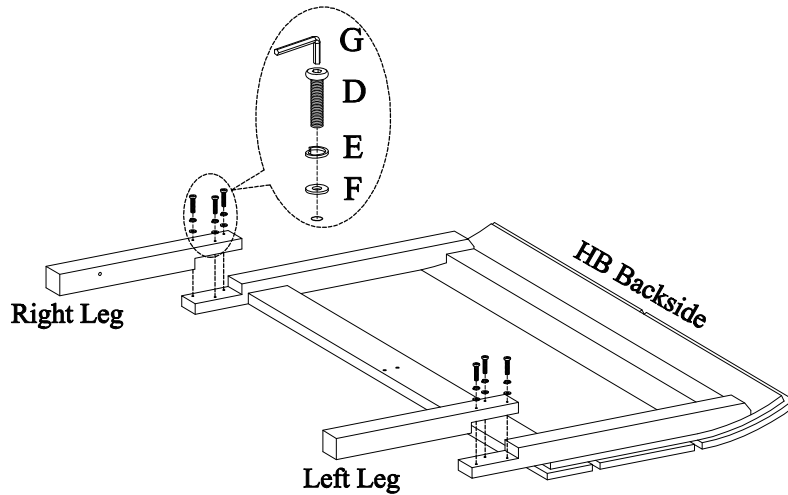
**BEFORE USING THIS PRODUCT PLEASE READ, UNDERSTAND, AND FOLLOW THESE INSTRUCTIONS.**  
 Save these instructions for future reference.

FOR INDOOR USE ONLY

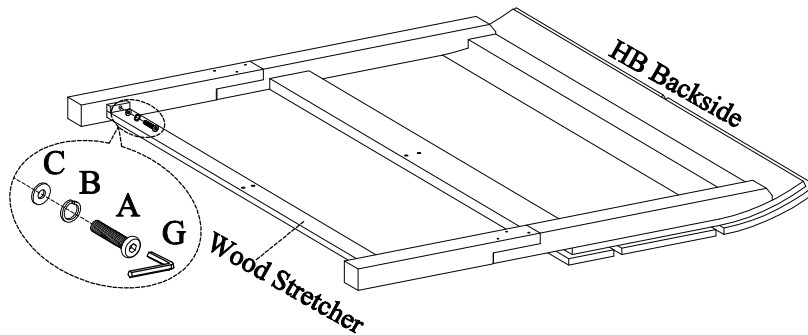


ITEM NO: I205-400      Queen Sleigh HB  
I205-402      Queen Rails  
I205-403D      Queen Storage FB

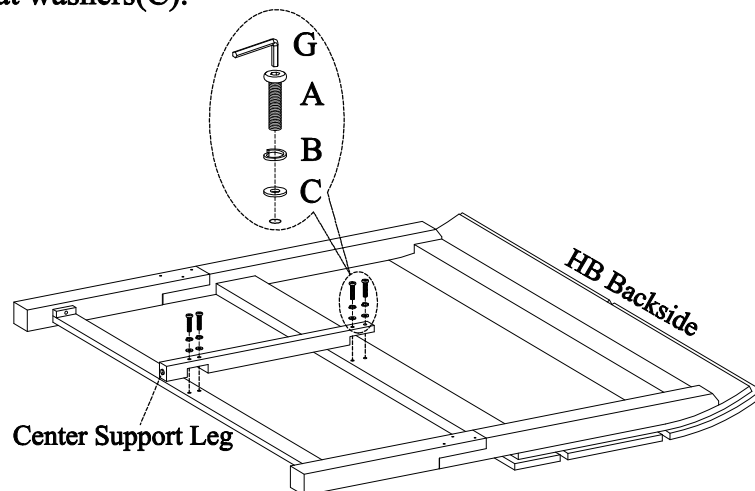
**STEP 1:** Lay the headboard face down on a soft surface. Attach the left leg and right leg to headboard by using 6 bolts(D), lock washers(E) and flat washers(F).

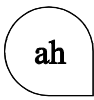


**STEP 2:** Attach the wood stretcher to the legs by using 2 bolts(A), lock washers(B) and flat washers(C).



**STEP 3:** Attach the center support leg to headboard and wood stretcher by using 4 bolts(A), lock washers(B) and flat washers(C).

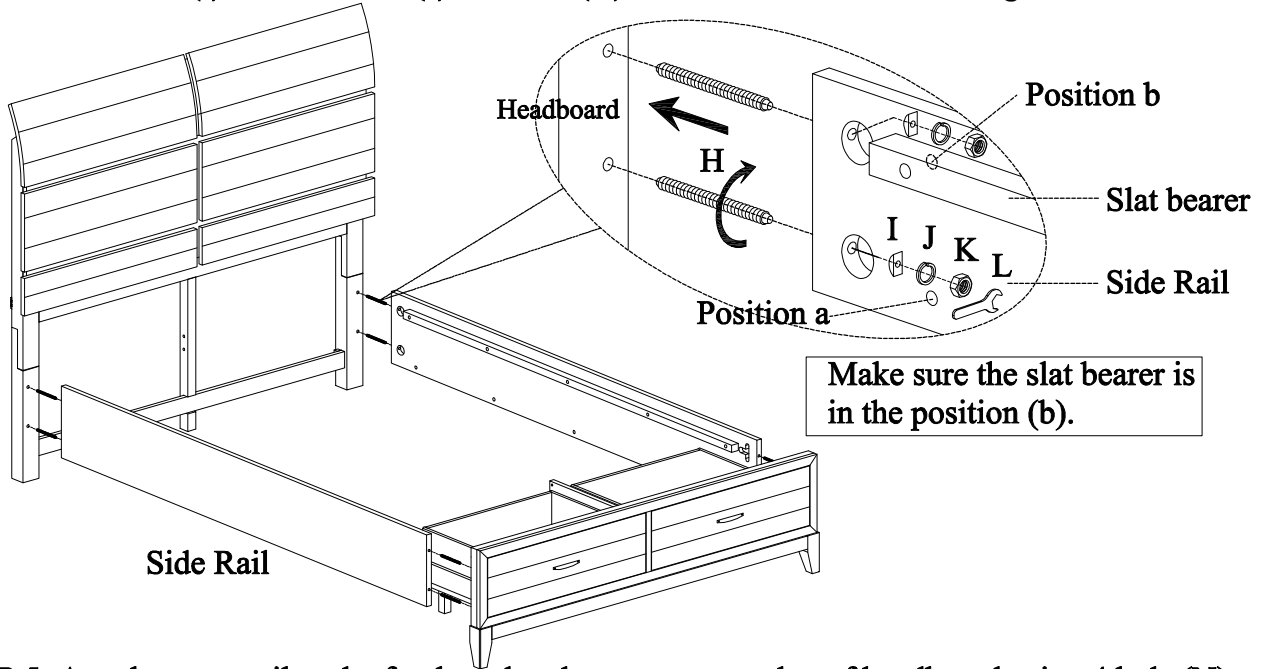




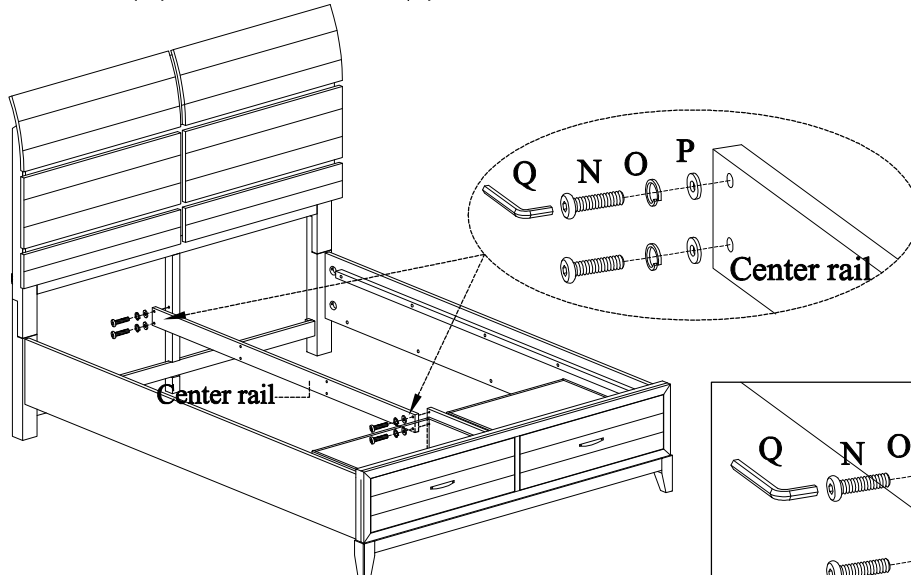
ITEM NO: I205-400  
I205-402  
I205-403D

Queen Sleigh HB  
Queen Rails  
Queen Storage FB

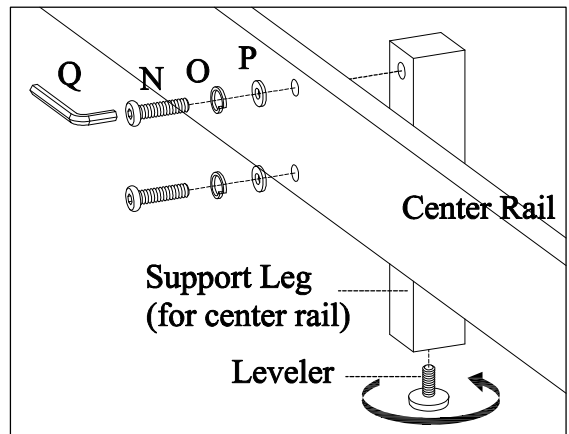
**STEP 4:** Screw the bolts(H) into HB & FB. Make sure the slat bearer is in the position (b). Align the bolts with the holes in the end of side rails and attach the side rails to HB & FB using half moon washers(I), lock washers(J) and nuts (K). Then use a hex wrench to tighten all the nuts.

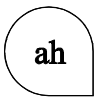


**STEP 5:** Attach center rail to the footboard and center support leg of headboard using 4 bolts(N), lock washers(O) and flat washers(P).



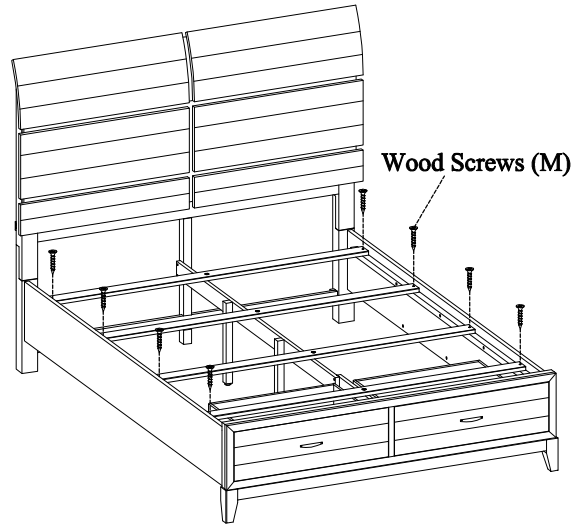
**STEP 6:** Attach 2 support legs (for center rail) to the center rail using 4 bolts(N), lock washers(O) and flat washers(P). Use the Allen Wrench (Q) to tighten all of the bolts.





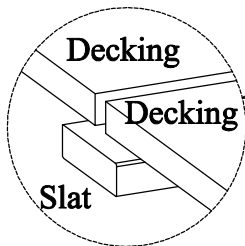
ITEM NO: I205-400      Queen Sleigh HB  
 I205-402              Queen Rails  
 I205-403D            Queen Storage FB

**STEP 7:** Arrange slats on the slat bearers and then lay decking on top of the slats. Make sure the slats are positioned along the seams of the decking as shown in the detail in STEP 8 under the pre-drilled hole. Remove the decking and attach slats to the slat bearers with wood screws (M).

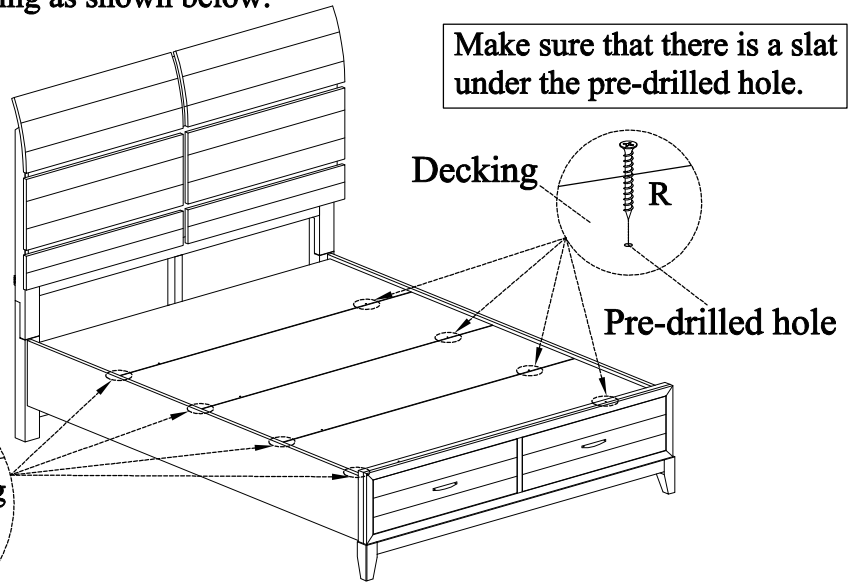


**STEP 8:** Put the decking over the slats, secure decking to the slats with wood screws (R) through the pre-drilled holes in the decking as shown below.

The slat should support both pieces of decking.

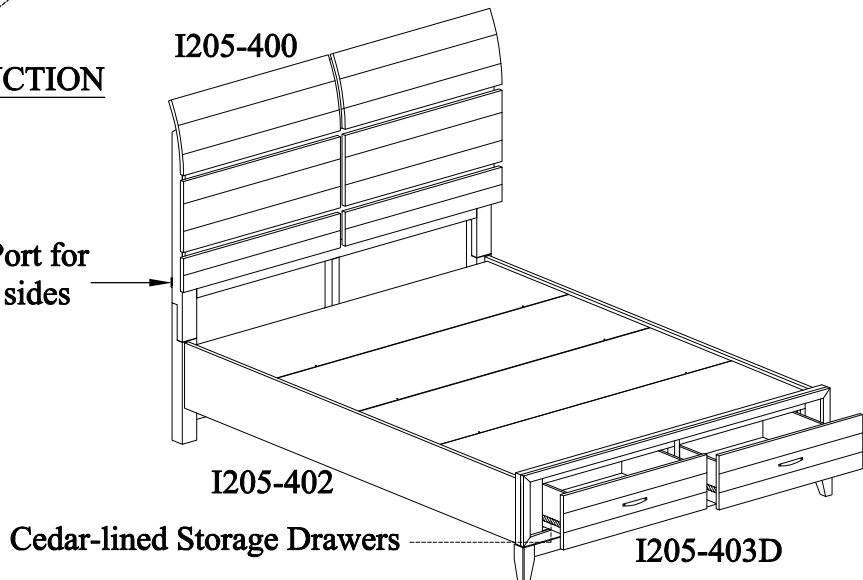


Make sure that there is a slat under the pre-drilled hole.



**FUNCTIONALITY INSTRUCTION**

2 Powered USB Port for Charging on both sides





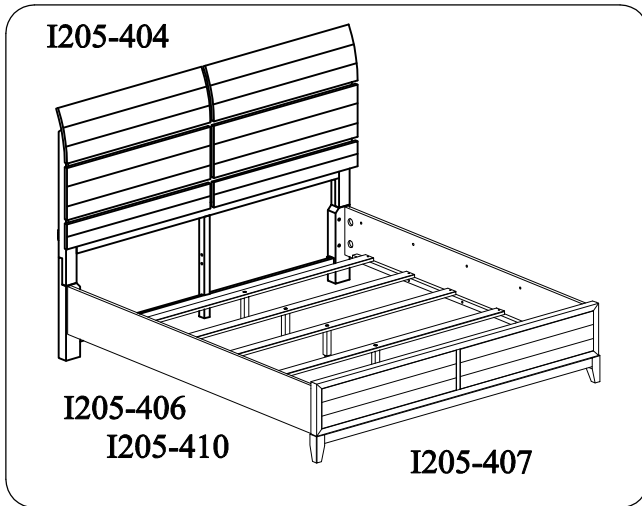


ITEM NO: I205-404      King Sleigh HB  
 I205-406      King Rails  
 I205-410      Cal King Rails  
 I205-407      King Low Profile FB

Thank you for purchasing this quality product. Be sure to check all packing material carefully for small parts that may come loose inside the carton during shipment.



**UNIT SHOULD BE INSTALLED BY 2 OR MORE PERSONS.**



All Beds need to be set up in the exact final location so that after full assembly it will not need to be moved. Moving the bed will cause the support legs to move out of perpendicular (90 degree), weaken the support system, and may allow the bed to collapse.

|                                      |
|--------------------------------------|
| <b>TOOLS REQUIRED (NOT PROVIDED)</b> |
| <b>PHILLIPS SCREWDRIVER</b>          |

| HARDWARE LIST: I205-404 |                           |        |          |
|-------------------------|---------------------------|--------|----------|
| No.                     | Description               | Sketch | Quantity |
| A                       | Bolt Ø1/4" x 1-1/2"       |        | 6 PCS    |
| B                       | Lock Washer Ø1/4"         |        | 6 PCS    |
| C                       | Flat Washer Ø1/4" x 3/4"  |        | 6 PCS    |
| D                       | Bolt Ø5/16" x 2-1/4"      |        | 6 PCS    |
| E                       | Lock Washer Ø5/16"        |        | 6 PCS    |
| F                       | Flat Washer Ø5/16" x 3/4" |        | 6 PCS    |
| G                       | Allen Wrench 4mm          |        | 1 PC     |

| HARDWARE LIST: I205-406/410 |                             |        |          |
|-----------------------------|-----------------------------|--------|----------|
| No.                         | Description                 | Sketch | Quantity |
| H                           | Hanger Bolt Ø5/16" x 3-3/8" |        | 8 PCS    |
| I                           | Half Moon Washer Ø5/16"     |        | 8 PCS    |
| J                           | Lock Washer Ø5/16"          |        | 8 PCS    |
| K                           | Hex Nut Ø5/16"              |        | 8 PCS    |
| L                           | Hex Wrench 12mm             |        | 1 PC     |
| M                           | Wood Screw #8 x 1"          |        | 10 PCS   |
| N                           | Wood Cap (only for 410)     |        | 8 PCS    |

| COMPONENTS LIST: I205-404 |                    |        |          |
|---------------------------|--------------------|--------|----------|
| No.                       | Description        | Sketch | Quantity |
| 1                         | Headboard          |        | 1 PC     |
| 2                         | Left Leg           |        | 1 PC     |
| 3                         | Right Leg          |        | 1 PC     |
| 4                         | Wood Stretcher     |        | 1 PC     |
| 5                         | Center Support Leg |        | 1 PC     |

| COMPONENTS LIST: I205-406 |             |        |          |
|---------------------------|-------------|--------|----------|
| No.                       | Description | Sketch | Quantity |
| 1                         | Bed rails   |        | 2 PCS    |
| 2                         | Slats       |        | 5 PCS    |

| COMPONENTS LIST: I205-410 |                    |        |          |
|---------------------------|--------------------|--------|----------|
| No.                       | Description        | Sketch | Quantity |
| 1                         | Bed rails          |        | 2 PCS    |
| 2                         | Slats              |        | 5 PCS    |
| 3                         | Center rail (Long) |        | 1 PC     |

| COMPONENTS LIST: I205-407 |                         |        |          |
|---------------------------|-------------------------|--------|----------|
| No.                       | Description             | Sketch | Quantity |
| 1                         | Footboard               |        | 1 PC     |
| 2                         | Support Leg (for slats) |        | 5 PCS    |

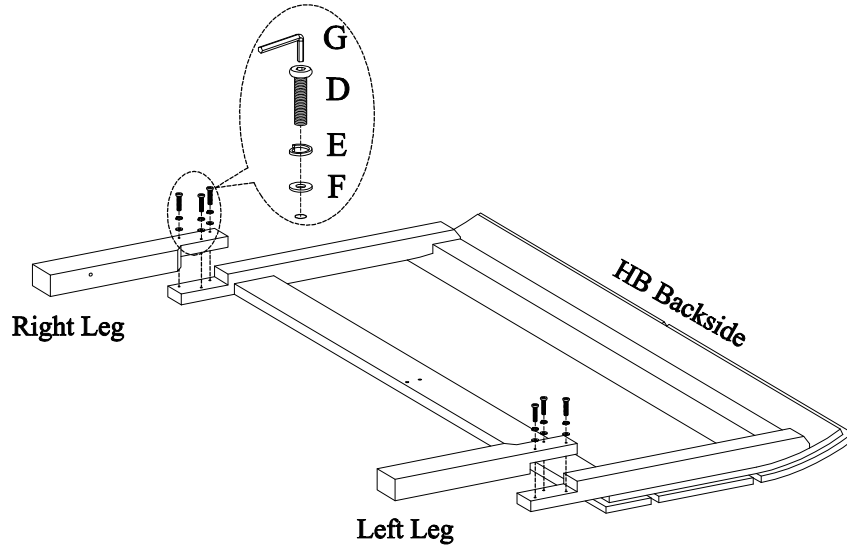
**BEFORE USING THIS PRODUCT PLEASE READ, UNDERSTAND, AND FOLLOW THESE INSTRUCTIONS.**  
 Save these instructions for future reference.

**FOR INDOOR USE ONLY**

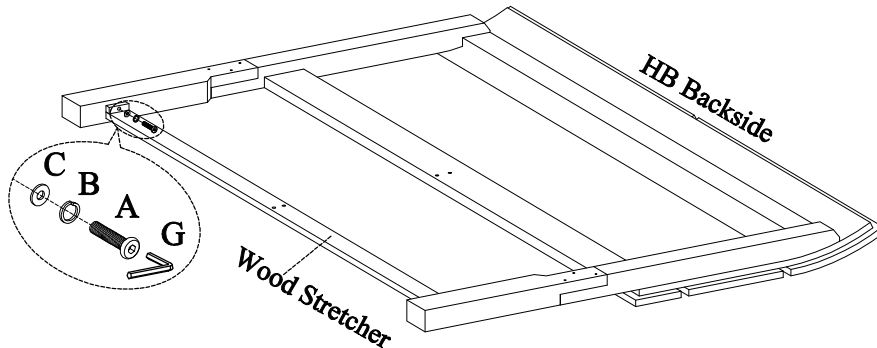


ITEM NO: I205-404      King Sleigh HB  
 I205-406      King Rails  
 I205-410      Cal King Rails  
 I205-407      King Low Profile FB

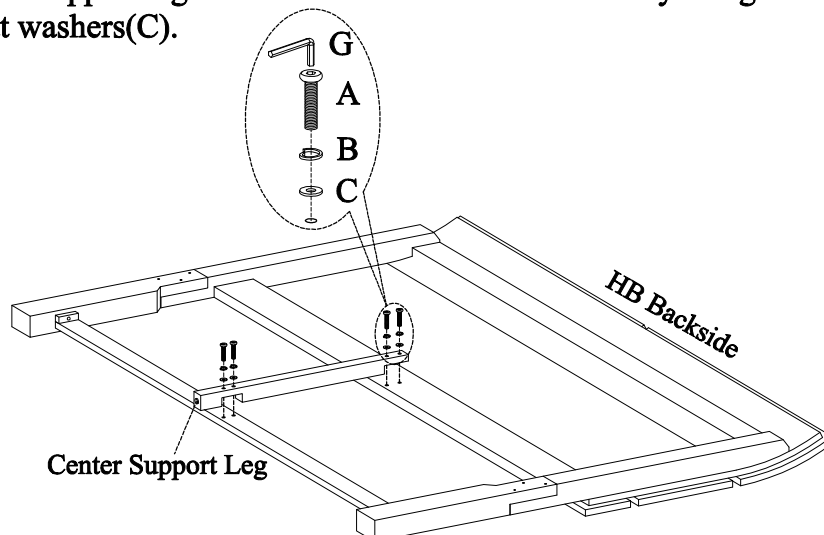
**STEP 1:** Lay the headboard face down on a soft surface. Attach the left leg and right leg to headboard by using 6 bolts(D), lock washers(E) and flat washers(F).



**STEP 2:** Attach the wood stretcher to the legs by using 2 bolts(A), lock washers(B) and flat washers(C).



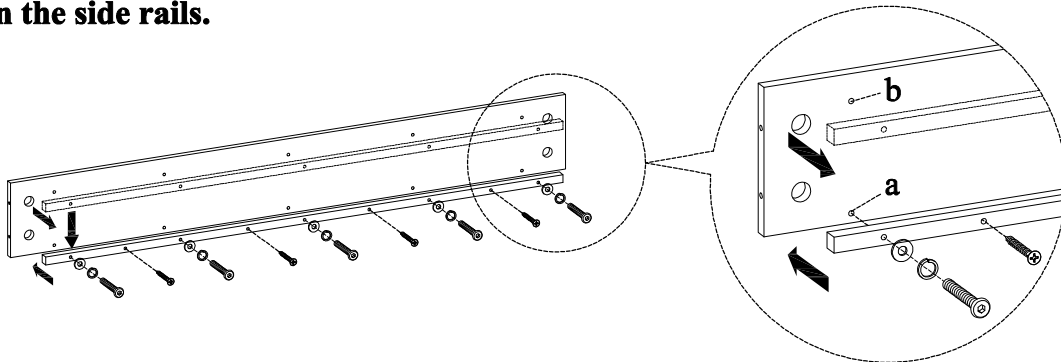
**STEP 3:** Attach the center support leg to headboard and wood stretcher by using 4 bolts(A), lock washers(B) and flat washers(C).



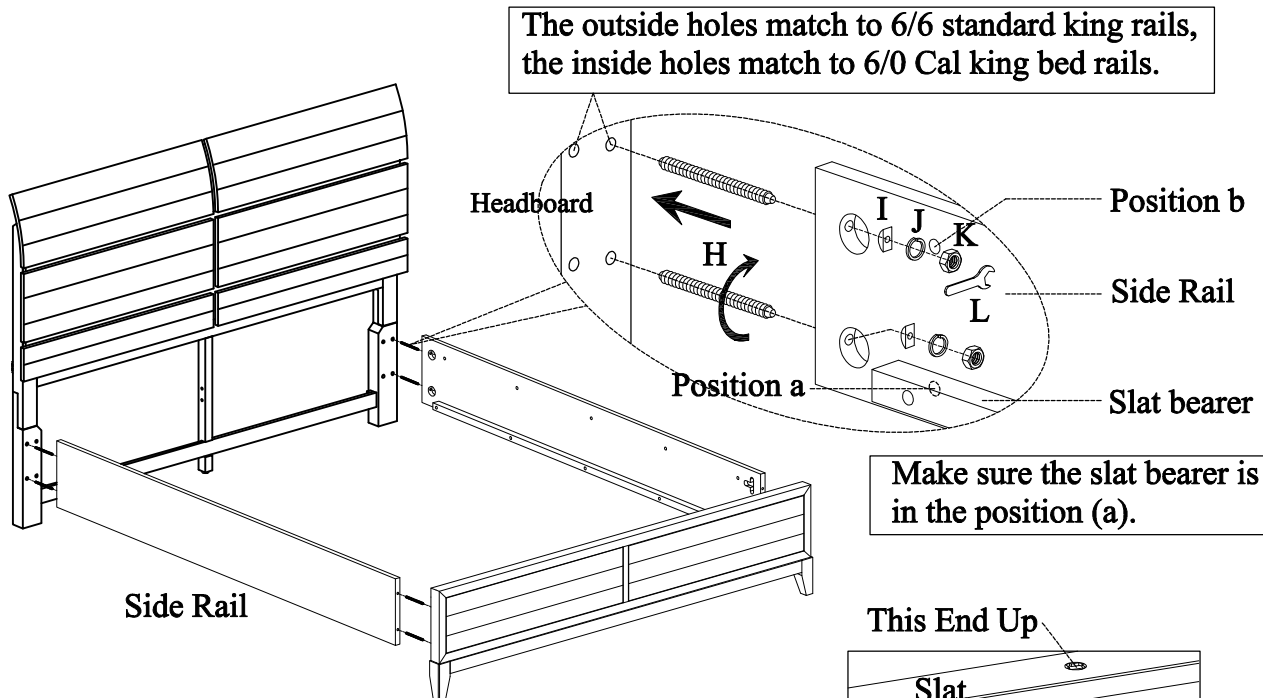


ITEM NO: I205-404      King Sleigh HB  
 I205-406      King Rails  
 I205-410      Cal King Rails  
 I205-407      King Low Profile FB

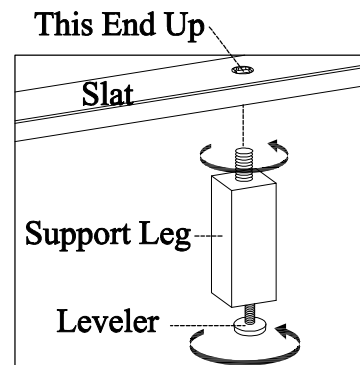
**STEP 4:** The slat bearers have been attached in position (b) approximately 2" from the top of the side rails for use with a storage footboard. The slat bearers must be moved into position (a) based on this bed configuration. Remove the bolts and screws from the slat bearers and side rails as shown below. Then re-attach the slat bearers to the side rails in position (a) with bolts, lock washers, flat washers, and screws. **Caution: Do not over tighten bolts as this may loosen the threaded inserts in the side rails.**



**STEP 5:** Screw the bolts(H) into HB & FB. Make sure the slat bearer is in the position (a). Align the bolts with the holes in the end of side rails and attach the side rails to HB & FB using half moon washers(I), lock washers(J) and nuts (K). Then use a hex wrench to tighten all the nuts.



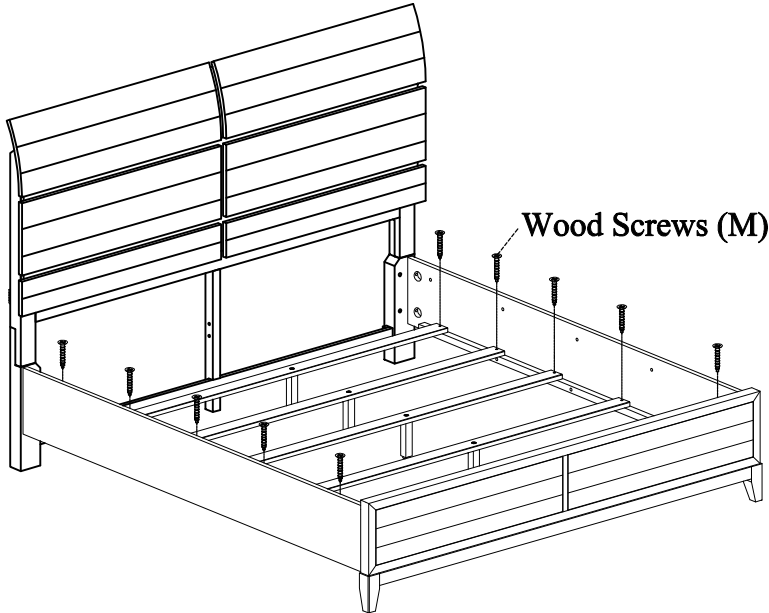
**STEP 6:** Attach the support legs with leveler to the slats. Adjust the levelers on bottom of support legs when necessary.



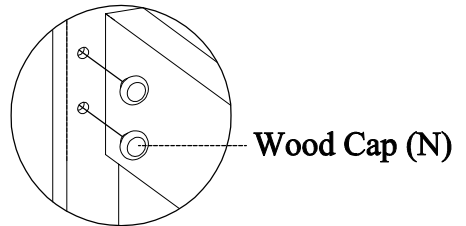


ITEM NO: I205-404      King Sleigh HB  
 I205-406              King Rails  
 I205-410              Cal King Rails  
 I205-407              King Low Profile FB

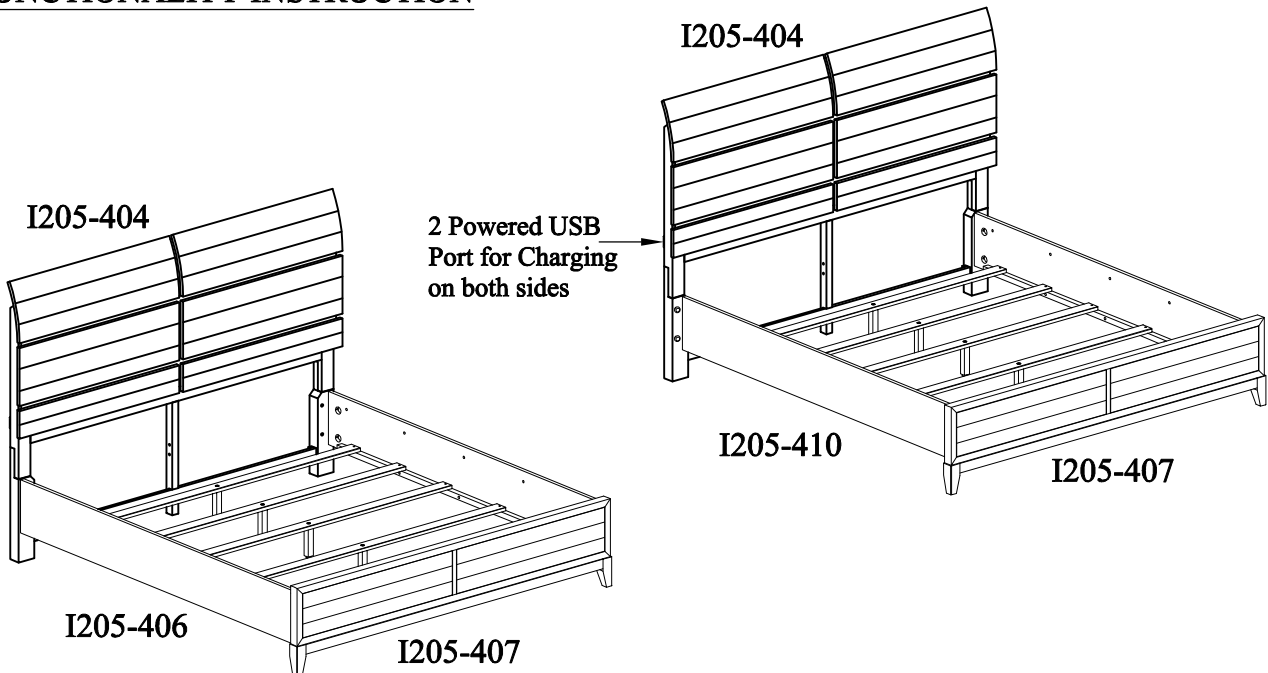
**STEP 7:** Arrange the slats on the slat bearers equally and attach to the slat bearers with wood screws (M).



**STEP 8:** For Cal King bed, insert wood caps into the holes on headboard and footboard. For regular King bed, skip this step.



**FUNCTIONALITY INSTRUCTION**



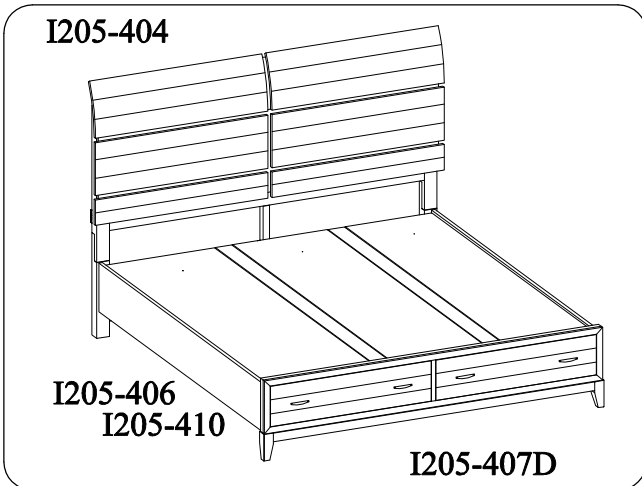


ITEM NO: I205-404      King Sleigh HB  
 I205-406      King Rails  
 I205-410      Cal King Rails  
 I205-407D      King Storage FB

Thank you for purchasing this quality product. Be sure to check all packing material carefully for small parts that may come loose inside the carton during shipment.



**UNIT SHOULD BE INSTALLED BY 2 OR MORE PERSONS.**



All Beds need to be set up in the exact final location so that after full assembly it will not need to be moved. Moving the bed will cause the support legs to move out of perpendicular (90 degree), weaken the support system, and may allow the bed to collapse.

|                                      |
|--------------------------------------|
| <b>TOOLS REQUIRED (NOT PROVIDED)</b> |
| <b>PHILLIPS SCREWDRIVER</b>          |

**HARDWARE LIST: I205-404**

| No. | Description               | Sketch | Quantity |
|-----|---------------------------|--------|----------|
| A   | Bolt Ø1/4" x 1-1/2"       |        | 6 PCS    |
| B   | Lock Washer Ø1/4"         |        | 6 PCS    |
| C   | Flat Washer Ø1/4" x 3/4"  |        | 6 PCS    |
| D   | Bolt Ø5/16" x 2-1/4"      |        | 6 PCS    |
| E   | Lock Washer Ø5/16"        |        | 6 PCS    |
| F   | Flat Washer Ø5/16" x 3/4" |        | 6 PCS    |
| G   | Allen Wrench 4mm          |        | 1 PC     |

**HARDWARE LIST: I205-406/410**

| No. | Description                 | Sketch | Quantity |
|-----|-----------------------------|--------|----------|
| H   | Hanger Bolt Ø5/16" x 3-3/8" |        | 8 PCS    |
| I   | Half Moon Washer Ø5/16"     |        | 8 PCS    |
| J   | Lock Washer Ø5/16"          |        | 8 PCS    |
| K   | Hex Nut Ø5/16"              |        | 8 PCS    |
| L   | Hex Wrench 12mm             |        | 1 PC     |
| M   | Wood Screw #8 x 1"          |        | 10 PCS   |
| N   | Wood Cap (only for 410)     |        | 8 PCS    |

**HARDWARE LIST: I205-407D**

| No. | Description              | Sketch | Quantity |
|-----|--------------------------|--------|----------|
| O   | Bolt Ø1/4" x 1-1/2"      |        | 8 PCS    |
| P   | Lock Washer Ø1/4"        |        | 8 PCS    |
| Q   | Flat Washer Ø1/4" x 5/8" |        | 8 PCS    |
| R   | Allen Wrench 4mm         |        | 1 PC     |
| S   | Wood Screw #8 x 3/4"     |        | 6 PCS    |

**COMPONENTS LIST: I205-404**

| No. | Description        | Sketch | Quantity |
|-----|--------------------|--------|----------|
| 1   | Headboard          |        | 1 PC     |
| 2   | Left Leg           |        | 1 PC     |
| 3   | Right Leg          |        | 1 PC     |
| 4   | Wood Stretcher     |        | 1 PC     |
| 5   | Center Support Leg |        | 1 PC     |

**COMPONENTS LIST: I205-406**

| No. | Description | Sketch | Quantity |
|-----|-------------|--------|----------|
| 1   | Bed rails   |        | 2 PCS    |
| 2   | Slats       |        | 5 PCS    |

**COMPONENTS LIST: I205-410**

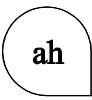
| No. | Description        | Sketch | Quantity |
|-----|--------------------|--------|----------|
| 1   | Bed rails          |        | 2 PCS    |
| 2   | Slats              |        | 5 PCS    |
| 3   | Center rail (Long) |        | 1 PC     |

**COMPONENTS LIST: I205-407D**

| No. | Description                   | Sketch | Quantity |
|-----|-------------------------------|--------|----------|
| 1   | Footboard                     |        | 1 PC     |
| 2   | Support Leg (for center rail) |        | 2 PCS    |
| 3   | Decking                       |        | 3 PCS    |
| 4   | Center rail (Short)           |        | 1 PC     |
| 5   | Filler                        |        | 2 PCS    |

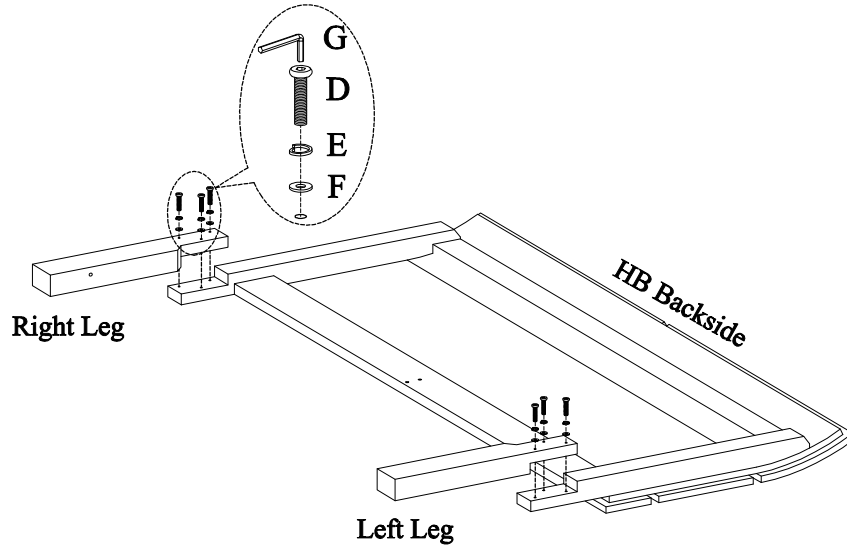
**BEFORE USING THIS PRODUCT PLEASE READ, UNDERSTAND, AND FOLLOW THESE INSTRUCTIONS.**  
 Save these instructions for future reference.

FOR INDOOR USE ONLY

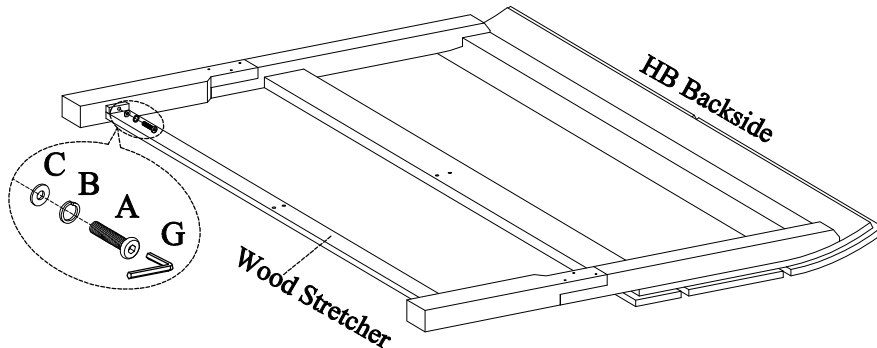


ITEM NO: I205-404      King Sleigh HB  
 I205-406      King Rails  
 I205-410      Cal King Rails  
 I205-407D      King Storage FB

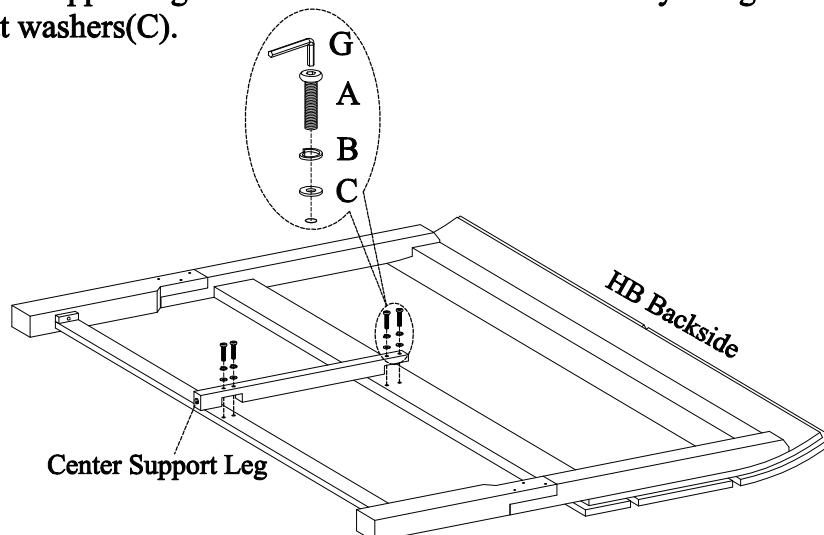
**STEP 1:** Lay the headboard face down on a soft surface. Attach the left leg and right leg to headboard by using 6 bolts(D), lock washers(E) and flat washers(F).



**STEP 2:** Attach the wood stretcher to the legs by using 2 bolts(A), lock washers(B) and flat washers(C).



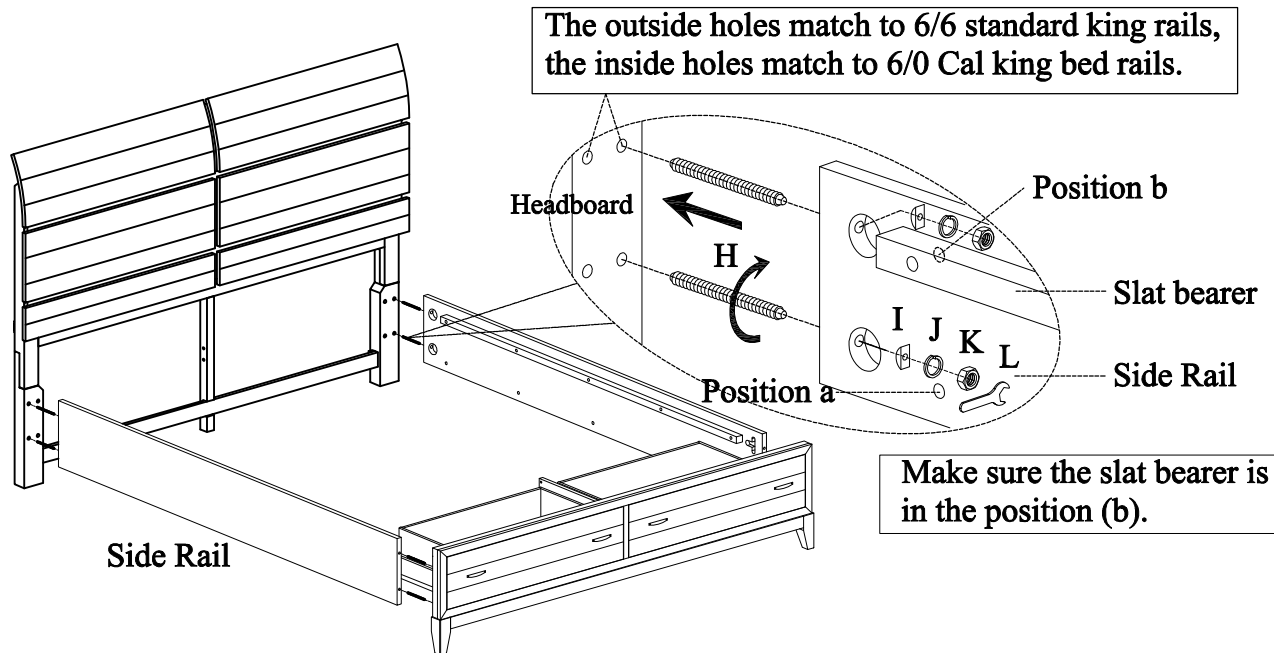
**STEP 3:** Attach the center support leg to headboard and wood stretcher by using 4 bolts(A), lock washers(B) and flat washers(C).



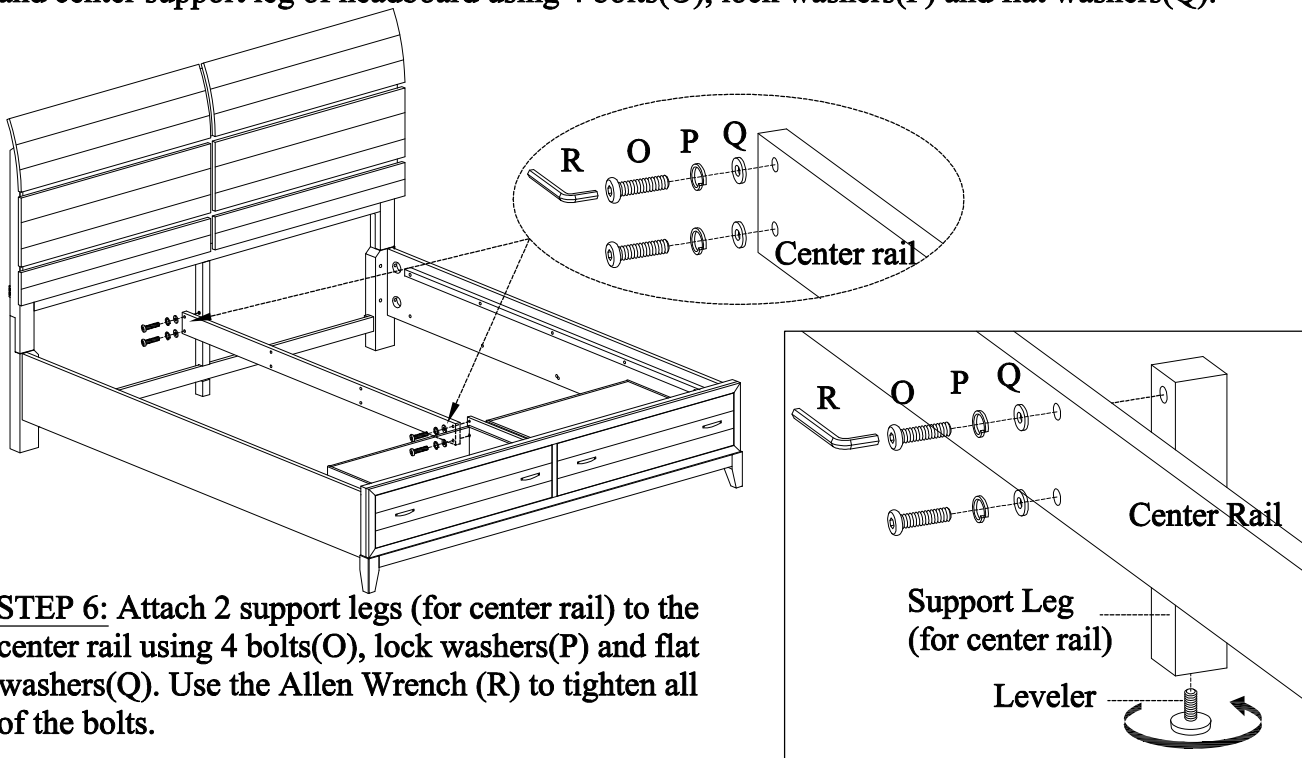


ITEM NO: I205-404      King Sleigh HB  
 I205-406      King Rails  
 I205-410      Cal King Rails  
 I205-407D      King Storage FB

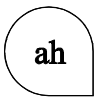
**STEP 4:** Screw the bolts(H) into HB & FB. Make sure the slat bearer is in the position (b). Align the bolts with the holes in the end of side rails and attach the side rails to HB & FB using half moon washers(I), lock washers(J) and nuts (K). Then use a hex wrench to tighten all the nuts.



**STEP 5:** The standard king center support is in the Storage Footboard carton, and the Cal king center rail is in the Cal King side rail carton. Attach the appropriate center rail to the footboard and center support leg of headboard using 4 bolts(O), lock washers(P) and flat washers(Q).

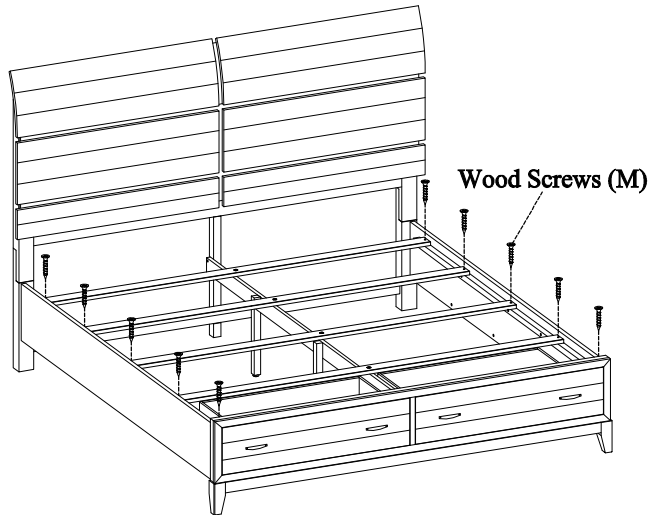


**STEP 6:** Attach 2 support legs (for center rail) to the center rail using 4 bolts(O), lock washers(P) and flat washers(Q). Use the Allen Wrench (R) to tighten all of the bolts.

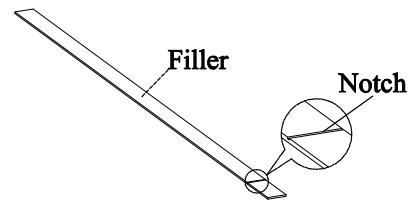


ITEM NO: I205-404      King Sleigh HB  
 I205-406      King Rails  
 I205-410      Cal King Rails  
 I205-407D      King Storage FB

**STEP 7:** Arrange slats on the slat bearers and then lay the decking on top of the slats. Make sure the top and bottom slats are situated underneath the pre-drilled holes as shown below in STEP 9. Remove the decking and attach slats to the slat bearers with wood screws (M).

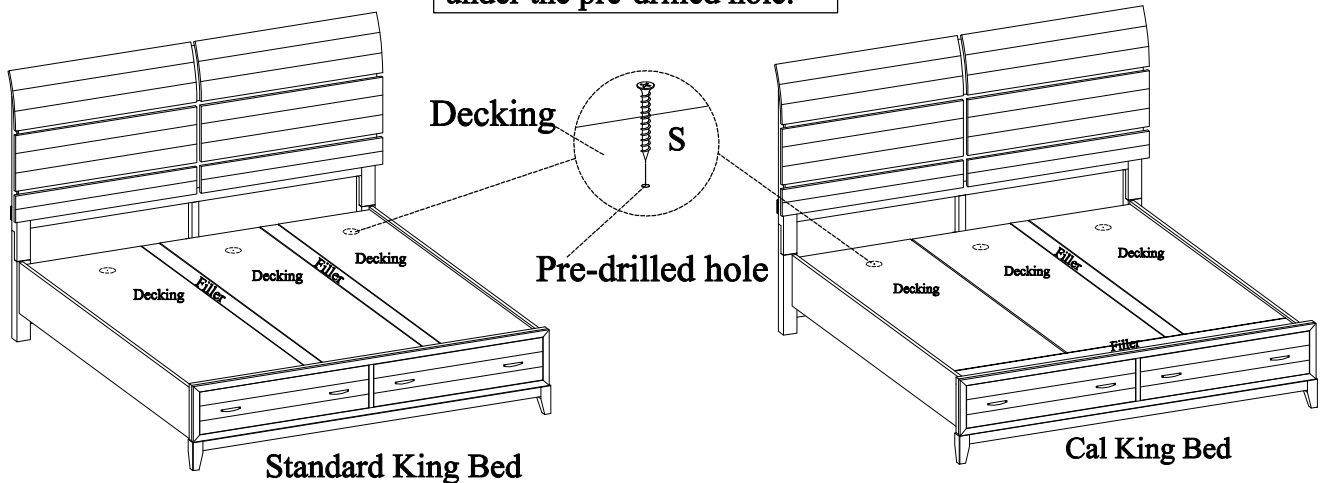


**STEP 8:** For the Cal King bed, both filler boards are notched. Using a utility knife only cut off the small piece at the notch on one of the filler boards. This cut off filler board will be placed at the foot of the bed going from left to right as shown on the right side below in STEP 9. For the standard King bed, skip this step and arrange the decking boards as shown on the left side below.

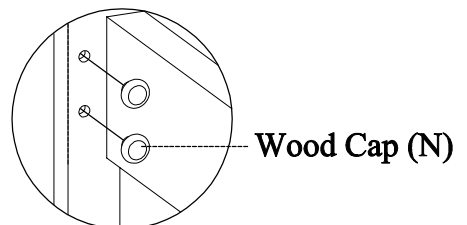


**STEP 9:** Put the decking over the slats, secure decking to the slats with wood screws (S) through the pre-drilled holes in the decking as shown below.

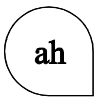
Make sure that there is a slat under the pre-drilled hole.



**STEP 10:** For Cal King bed, insert wood caps into the holes on headboard and footboard. For regular King bed, skip this step.







ITEM NO: I205-404      King Sleigh HB  
 I205-406              King Rails  
 I205-410              Cal King Rails  
 I205-407D            King Storage FB

### FUNCTIONALITY INSTRUCTION

