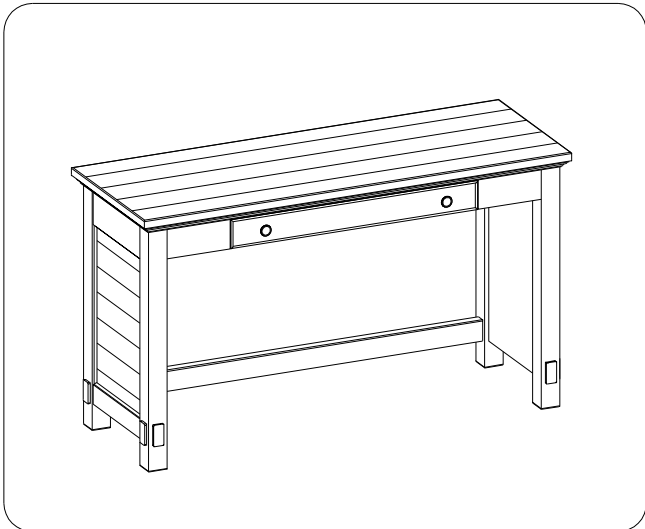




ITEM NO: I214-9160-SND Sofa Writing Table

Thank you for purchasing this quality product. Be sure to check all packing material carefully for small parts that may come loose inside the carton during shipment.



TOOLS REQUIRED (NOT PROVIDED)

PHILLIPS SCREWDRIVER

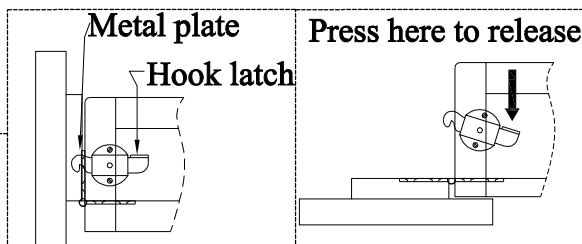
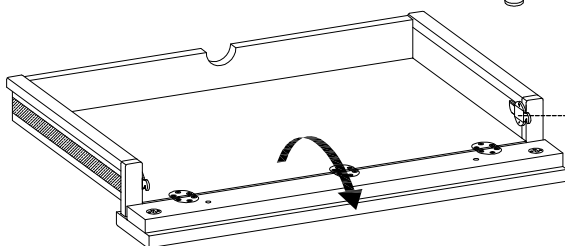
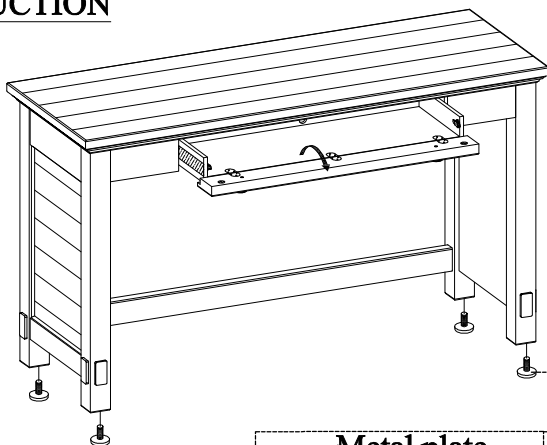
HARDWARE LIST:

No.	Description	Sketch	Quantity
A	Bolt Ø1/4" x 1-3/4"		10 PCS
B	Lock Washer Ø1/4"		10 PCS
C	Flat Washer Ø1/4" x 3/4"		10 PCS
D	Allen Wrench 4mm		1 PC

COMPONENTS LIST:

No.	Description	Sketch	Quantity
1	Table Top		1 PC
2	Left Assembly		1 PC
3	Right Assembly		1 PC
4	Wood Stretcher		1 PC

FUNCTIONALITY INSTRUCTION



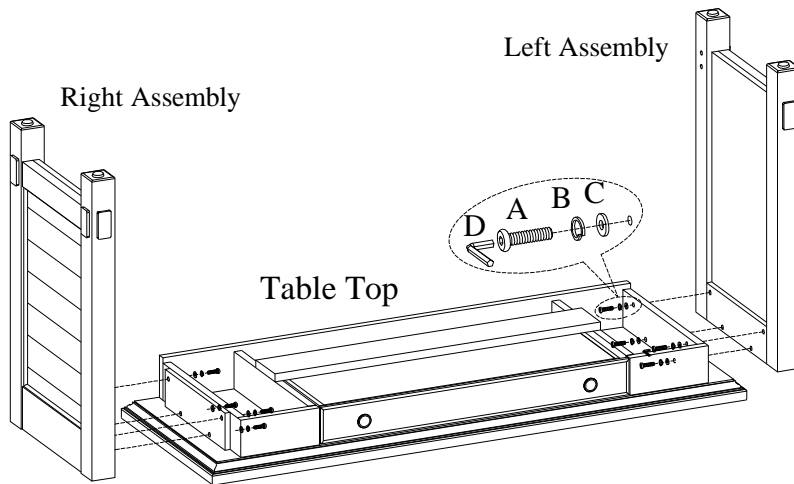
BEFORE USING THIS PRODUCT PLEASE READ, UNDERSTAND, AND FOLLOW THESE INSTRUCTIONS.
Save these instructions for future reference.

FOR INDOOR USE ONLY



ITEM NO: I214-9160-SND Sofa Writing Table

STEP 1: Put the table top face down on a soft surface. Attach the left assembly and right assembly to table top by using 8 bolts(A), lock washers(B) and flat washers(C). Do not completely tighten bolts.



STEP 2: Attach the wood stretcher to the left/right assembly by using 2 bolts (A), lock washers(B) and flat washers(C). Completely tighten all bolts.

