

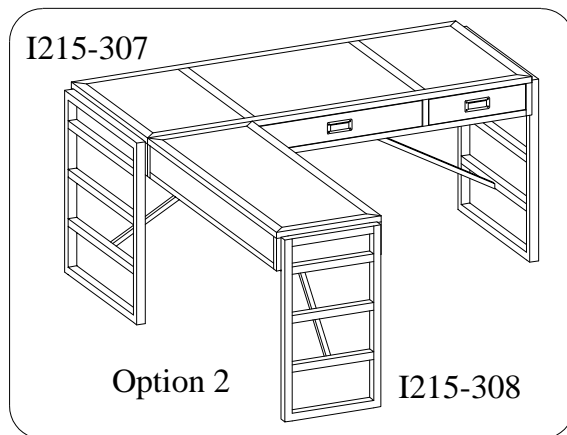
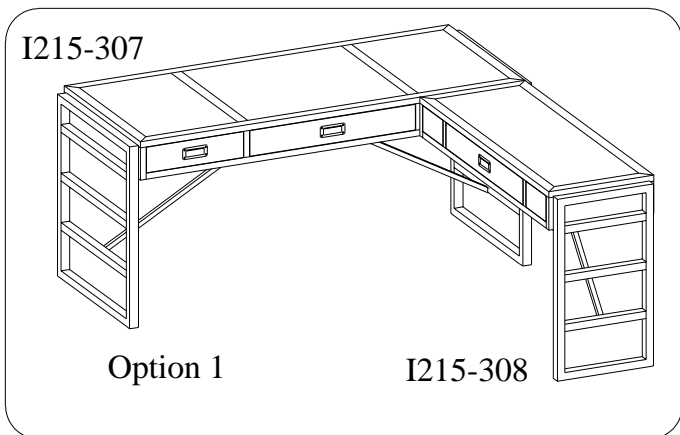


ITEM NO: I215-307 Writing Desk
I215-308 Reversible Desk Return

Thank you for purchasing this quality product. Be sure to check all packing material carefully for small parts that may come loose inside the carton during shipment.



UNIT SHOULD BE INSTALLED BY 2 OR MORE PERSONS.



HARDWARE LIST: I215-307			
No.	Description	Sketch	Quantity
A	Bolt Ø1/4" x 1"		4 PCS
B	Bolt Ø1/4" x 2-3/16"		12 PCS
C	Lock Washer Ø1/4"		16 PCS
D	Flat Washer Ø1/4" x 3/4"		16 PCS
E	Allen Wrench 4mm		1 PC

HARDWARE LIST: I215-308			
No.	Description	Sketch	Quantity
A	Bolt Ø1/4" x 1"		10 PCS
B	Bolt Ø1/4" x 2-3/16"		4 PCS
C	Lock Washer Ø1/4"		14 PCS
D	Flat Washer Ø1/4" x 3/4"		14 PCS
E	Allen Wrench 4mm		1 PC
F	Metal Connect		2 PCS

TOOLS REQUIRED (NOT PROVIDED)
PHILLIPS SCREWDRIVER

COMPONENTS LIST: I215-307			
No.	Description	Sketch	Quantity
1	Table Top Assembly		1 PC
2	Side Assembly		2 PCS
3	Support Stretcher		2 PCS

COMPONENTS LIST: I215-308			
No.	Description	Sketch	Quantity
1	Table Top Assembly		1 PC
2	Side Assembly		1 PC
3	Support Stretcher		1 PC

BEFORE USING THIS PRODUCT PLEASE READ, UNDERSTAND, AND FOLLOW THESE INSTRUCTIONS. Save these instructions for future reference.

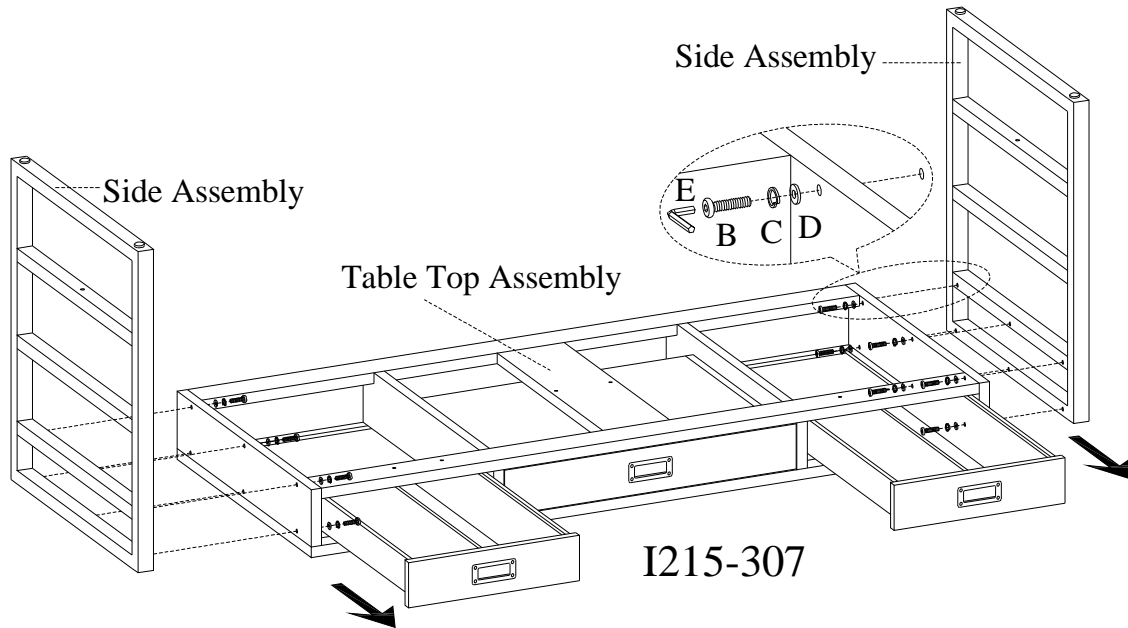
FOR INDOOR USE ONLY



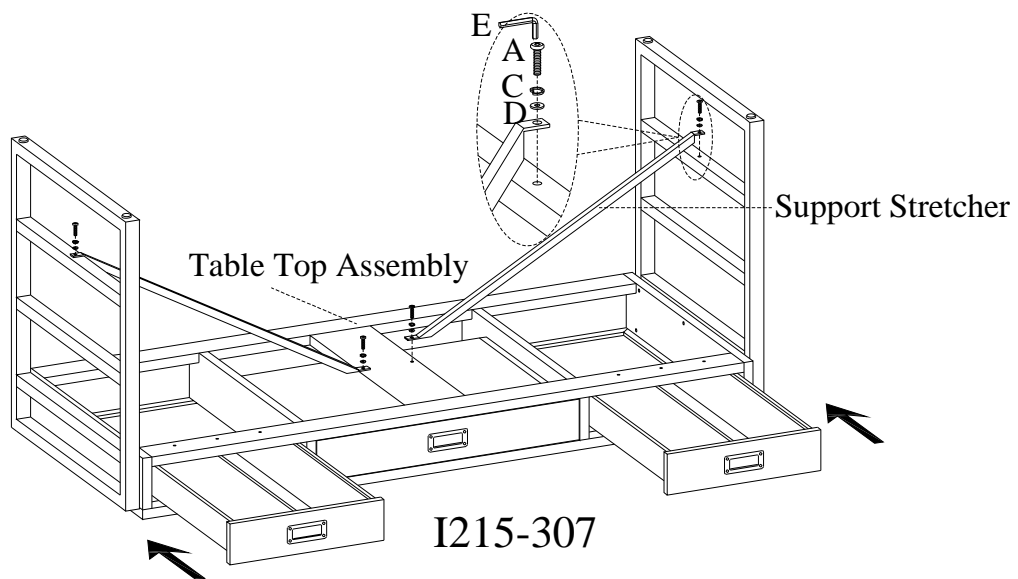
ITEM NO: I215-307 Writing Desk
I215-308 Reversible Desk Return

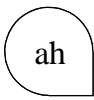
STEP 1: Put the table top assembly face down on a soft surface.

STEP 2: Take out the side drawers, then attach the side assemblies to table top assembly by using 12 bolts(B), lock washers(C) and flat washers(D). Do not completely tighten bolts.



STEP 3: Attach the support stretchers to table top assembly by using 4 bolts(A), lock washers(C) and flat washers(D). Completely tighten all bolts. Put the side drawers back to the original position. Turn the assembled table to the upright position.





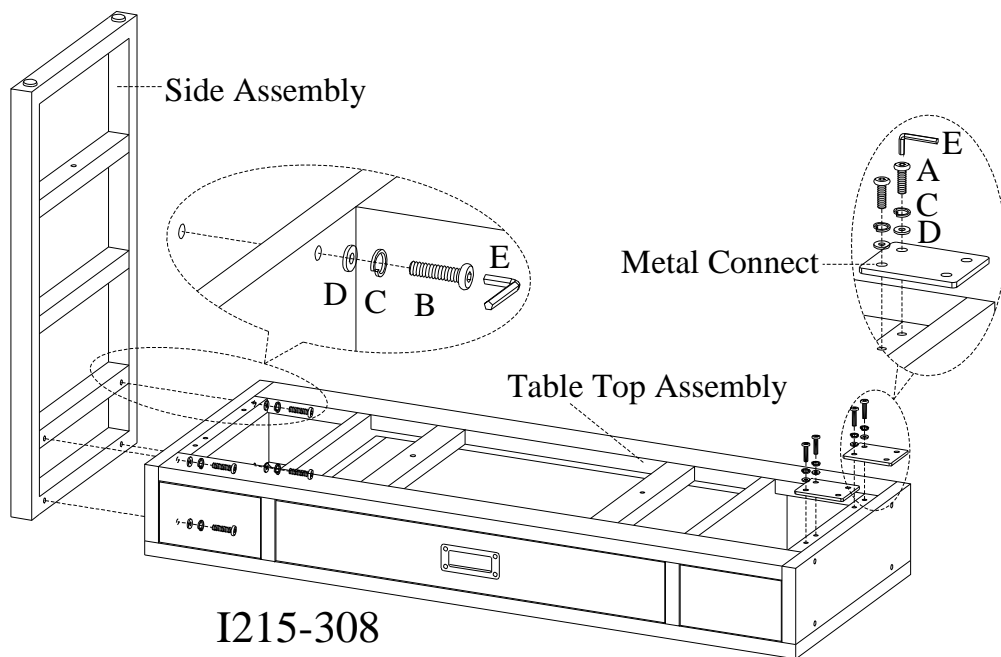
ITEM NO: I215-307 Writing Desk
I215-308 Reversible Desk Return

For OPTION 1: The side assembly may be used on either side. Attach the side assembly to table top assembly as shown below.

STEP 4: Put the table top assembly face down on a soft surface.

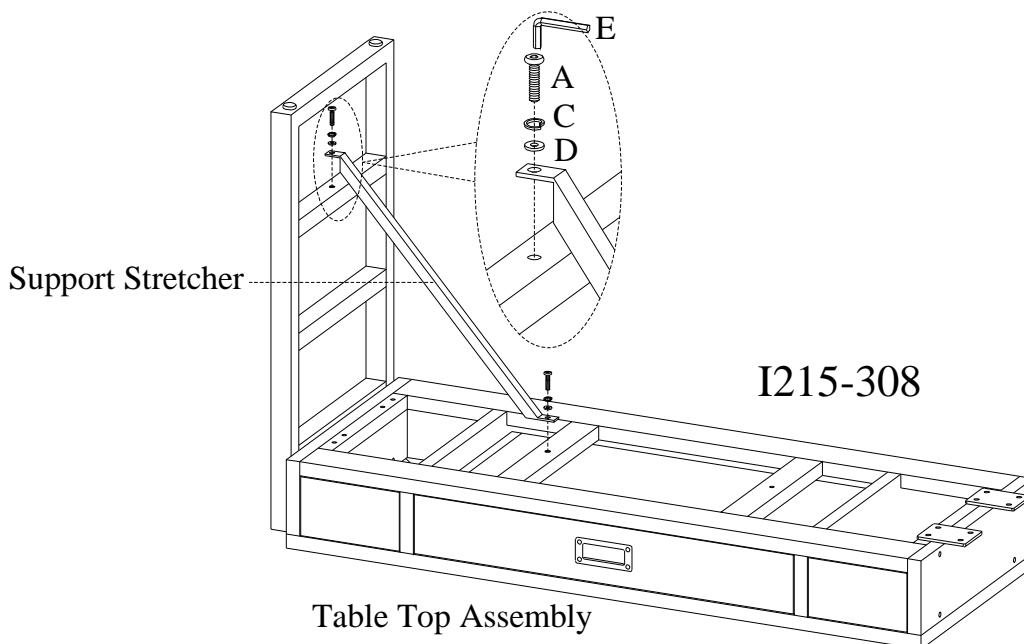
STEP 5-1: Attach the side assembly to table top assembly by using 4 bolts(B), lock washers(C) and flat washers(D). Do not completely tighten bolts.

STEP 5-2: Attach the metal connects to the table top assembly by using 4 bolts(A), lock washers(C) and flat washers(D).



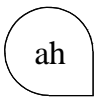
I215-308

STEP 6: Attach the support stretcher to table top assembly by using 2 bolts(A), lock washers(C) and flat washers(D). Completely tighten all bolts.



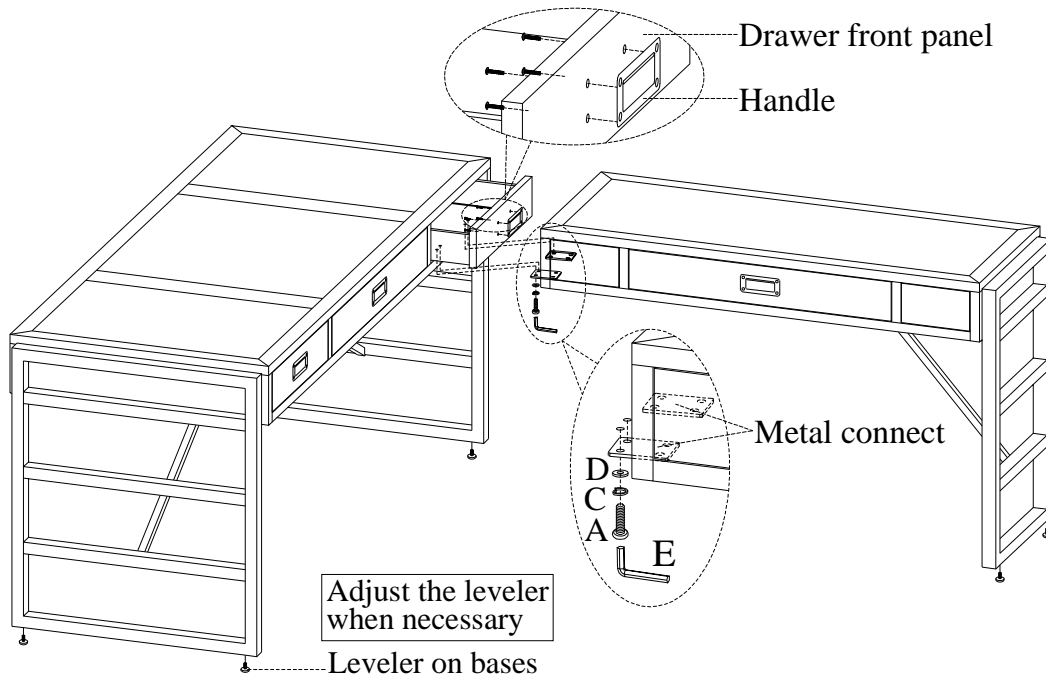
I215-308

Table Top Assembly



ITEM NO: I215-307 Writing Desk
I215-308 Reversible Desk Return

STEP 7: Pull out the side drawer front panel at the stop position and take off the handle by removing screws before assembling the reversible desk to the writing desk. Attach the reversible desk return with metal connects to writing desk by using 4 bolts(A), lock washers(C) and flat washers(D) as shown below. Use the Allen wrench provided to tighten all the bolts.

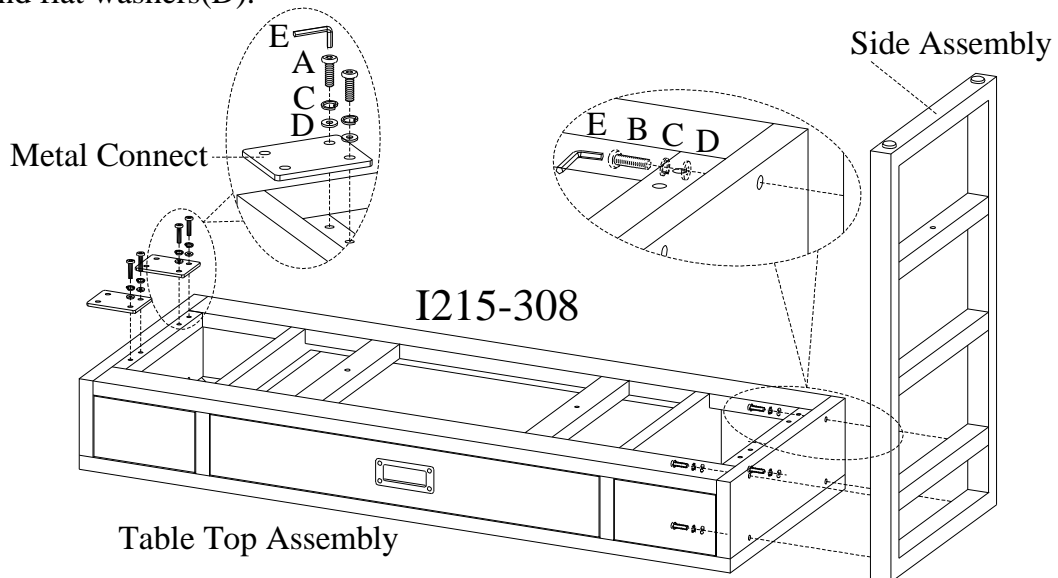


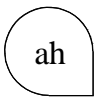
For OPTION 2: The side assembly may be used on either side. Before assembling the side assembly, make sure that the metal connect is assembled on the other side as shown below.

STEP 4: Put the table top assembly face down on a soft surface.

STEP 5-1: Attach the side assembly to table top assembly by using 4 bolts(B), lock washers(C) and flat washers(D). Do not completely tighten bolts.

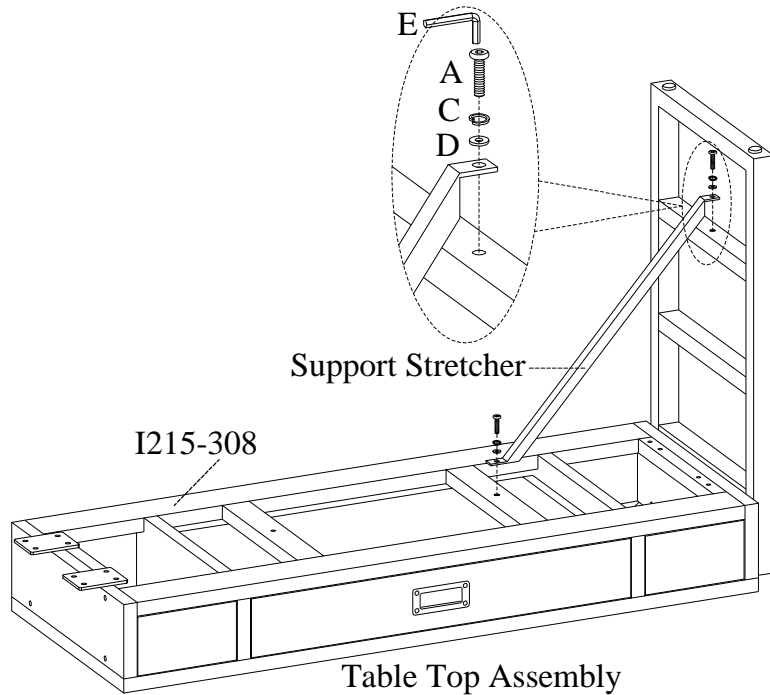
STEP 5-2: Attach the metal connects to the table top assembly by using 4 bolts(A), lock washers(C) and flat washers(D).



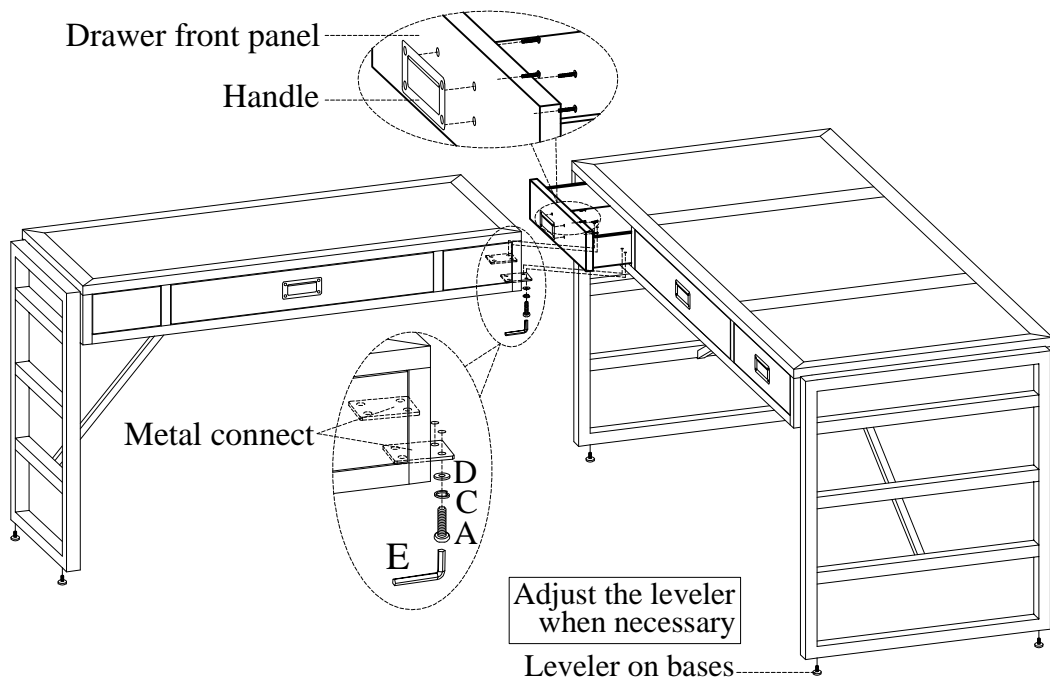


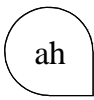
ITEM NO: I215-307 Writing Desk
I215-308 Reversible Desk Return

STEP 6: Attach the support stretcher to table top assembly by using 2 bolts(A), lock washers(C) and flat washers(D). Completely tighten all bolts.



STEP 7: Pull out the side drawer front panel at the stop position and take off the handle by removing screws before assembling the reversible desk to the writing desk. Attach the reversible desk return with metal connects to writing desk by using 4 bolts(A), lock washers(C) and flat washers(D) as shown below. Use the Allen wrench provided to tighten all the bolts.

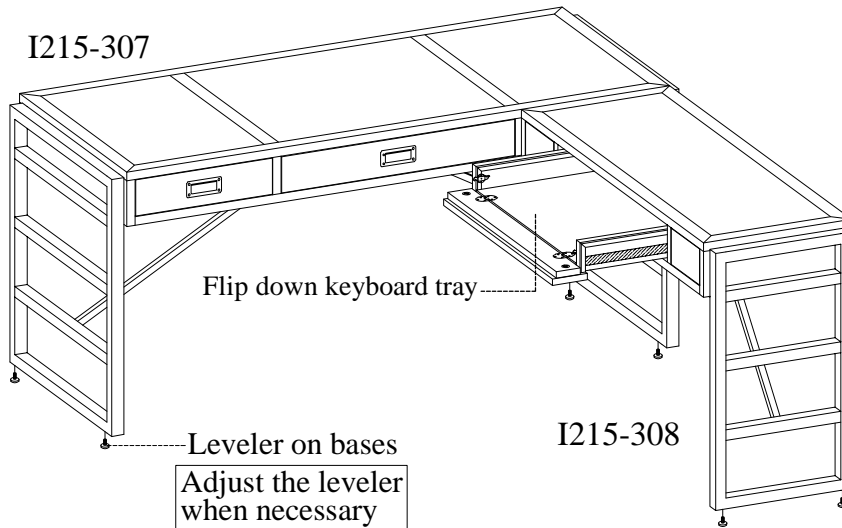




ITEM NO: I215-307 Writing Desk
I215-308 Reversible Desk Return

FUNCTIONALITY INSTRUCTION

Option 1



Option 2

