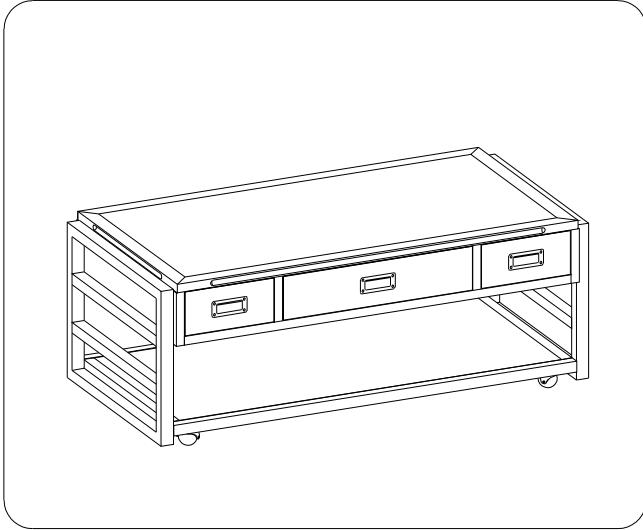


ITEM NO: I215-9100      Lift Top Cocktail Table

Thank you for purchasing this quality product. Be sure to check all packing material carefully for small parts that may come loose inside the carton during shipment.

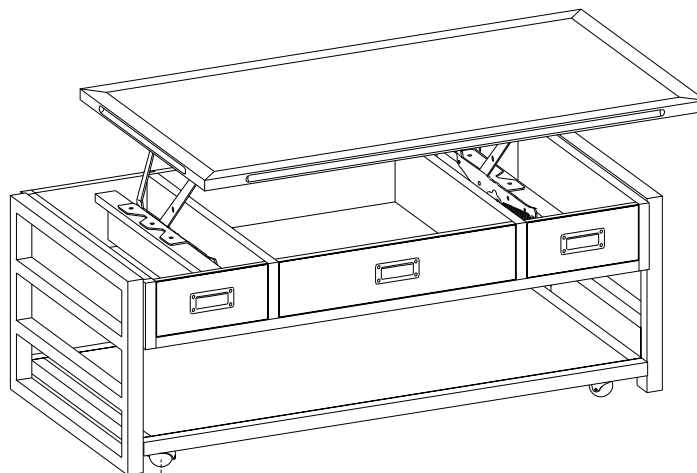


TOOLS REQUIRED (NOT PROVIDED)
PHILLIPS SCREWDRIVER

HARDWARE LIST:			
No.	Description	Sketch	Quantity
A	Bolt Ø1/4" x 1-3/16"		6 PCS
B	Bolt Ø1/4" x 2-3/16"		6 PCS
C	Lock Washer Ø1/4"		12 PCS
D	Flat Washer Ø1/4" x 3/4"		12 PCS
E	Allen Wrench 4mm		1 PC

COMPONENTS LIST:			
No.	Description	Sketch	Quantity
1	Table Top Assembly		1 PC
2	Side Assembly		2 PCS
3	Bottom Shelf		1 PC

### FUNCTIONALITY INSTRUCTION



Castors

BEFORE USING THIS PRODUCT PLEASE READ, UNDERSTAND, AND FOLLOW THESE INSTRUCTIONS.  
Save these instructions for future reference.

FOR INDOOR USE ONLY



ITEM NO: I215-9100      Lift Top Cocktail Table

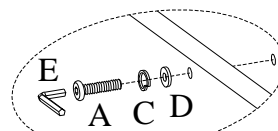
**STEP 1:** Lift the top panel by pulling up through the finger grooves at both front & back edges.

**STEP 2:** Put the table top assembly backside down on a soft surface. Attach the side assemblies to table top assembly by using 6 bolts(A), lock washers(C) and flat washers(D). Do not completely tighten bolts.

Pleas have a person to hold this top panel when it's on the back face down position.

Finger Groove

Top Panel

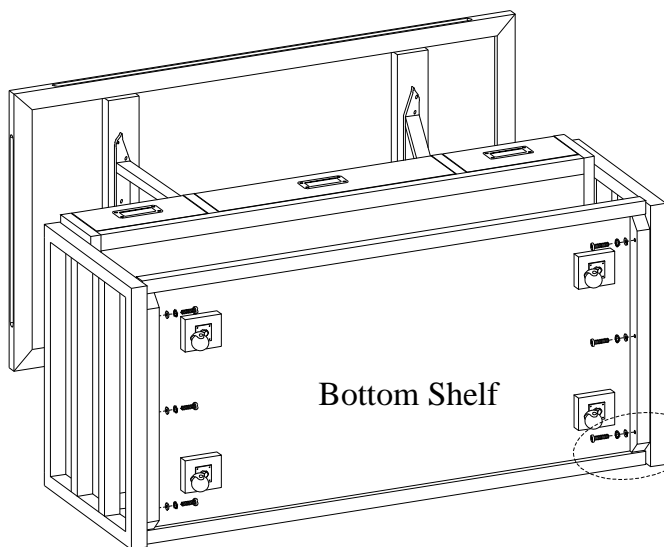


Side Assembly

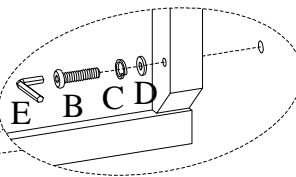
Table Top Assembly

Side Assembly

**STEP 3:** Attach the bottom shelf to the side assemblies by using 6 bolts (B), lock washers(C) and flat washers(D). Completely tighten all bolts.



Bottom Shelf



**STEP 4:** Turn the assembled table to the upright position. Lower the top panel to the original position.

