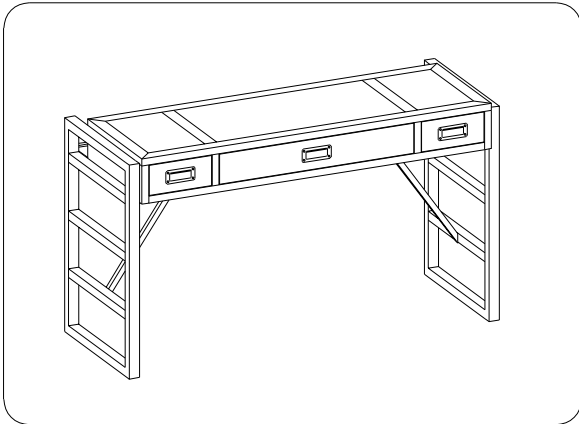




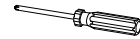
ITEM NO: I215-9150 Liv360 Sofa/Writing Table

Thank you for purchasing this quality product. Be sure to check all packing material carefully for small parts that may come loose inside the carton during shipment.



### TOOLS REQUIRED (NOT PROVIDED)

PHILLIPS SCREWDRIVER



### HARDWARE LIST:

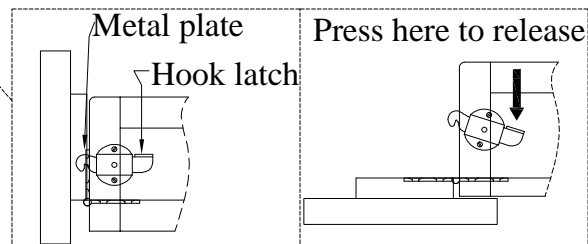
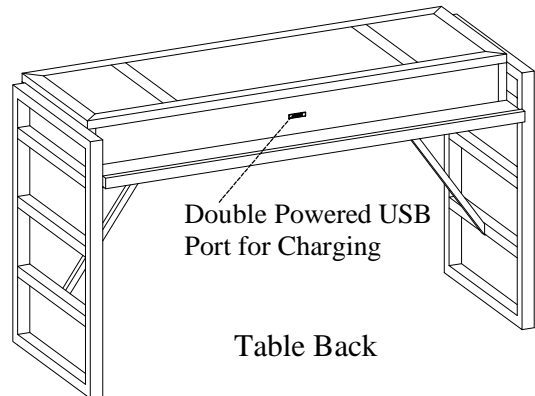
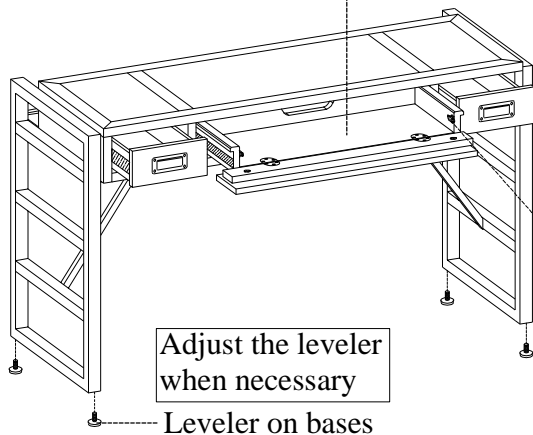
No.	Description	Sketch	Quantity
A	Bolt Ø1/4" x 1"		4 PCS
B	Bolt Ø1/4" x 2-3/16"		8 PCS
C	Lock Washer Ø1/4"		12 PCS
D	Flat Washer Ø1/4" x 3/4"		12 PCS
E	Allen Wrench 4mm		1 PC
F	L Bracket		2 PCS
G	Wood Screw #4 x 5/8"		4 PCS

### COMPONENTS LIST:

No.	Description	Sketch	Quantity
1	Table Top Assembly		1 PC
2	Side Assembly (left)		1 PC
3	Side Assembly (right)		1 PC
4	Support Stretcher		2 PCS

### FUNCTIONALITY INSTRUCTION

Flip down keyboard tray



BEFORE USING THIS PRODUCT PLEASE READ, UNDERSTAND, AND FOLLOW THESE INSTRUCTIONS. Save these instructions for future reference.

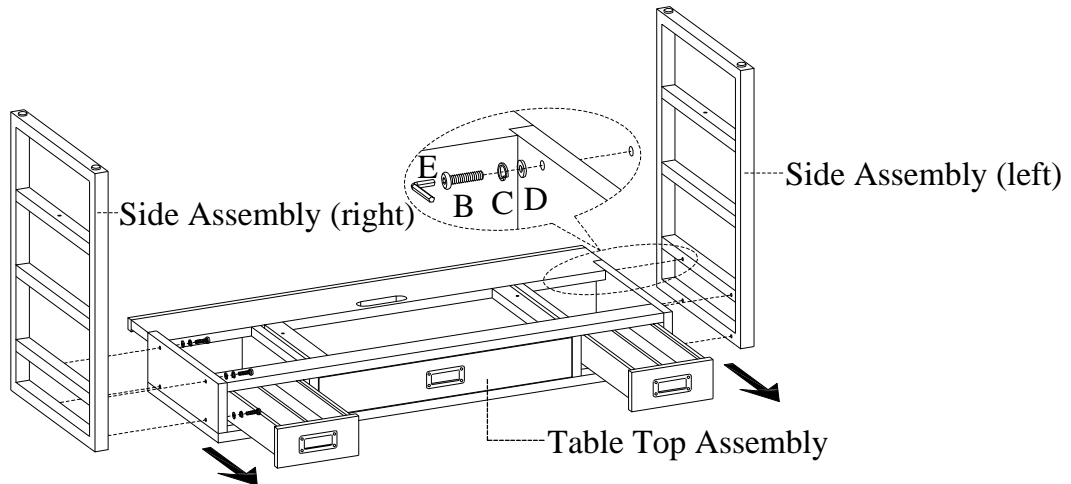
FOR INDOOR USE ONLY



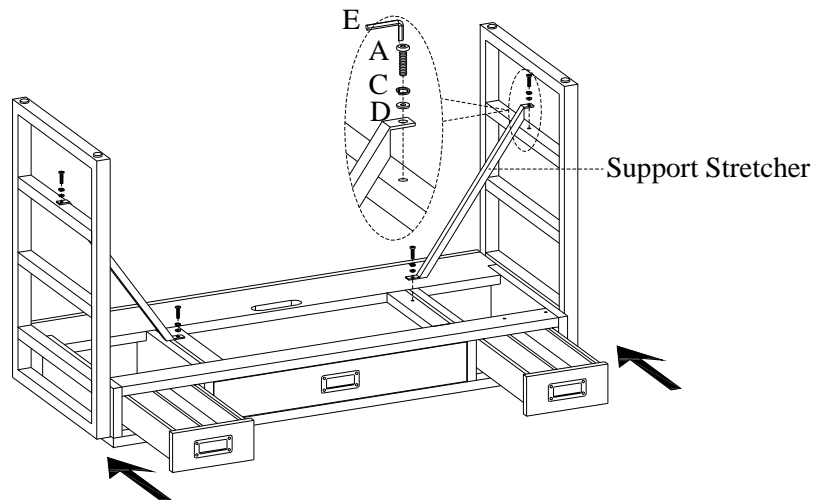
ITEM NO: I215-9150 Liv360 Sofa/Writing Table

**STEP 1:** Put the table top assembly face down on a soft surface.

**STEP 2:** Take out the side drawers, then attach the side assembly(left/right) to table top assembly by using 8 bolts(B), lock washers(C) and flat washers(D). Do not completely tighten bolts.



**STEP 3:** Attach the support stretchers to table top assembly by using 4 bolts(A), lock washers(C) and flat washers(D). Use the Allen wrench provided to tighten all the bolts. Put the drawers back to the original position.



**STEP 4:** Attach the L brackets (F) to table assembly with wood screws (G) as shown below. Turn the assembled table to the upright position.

