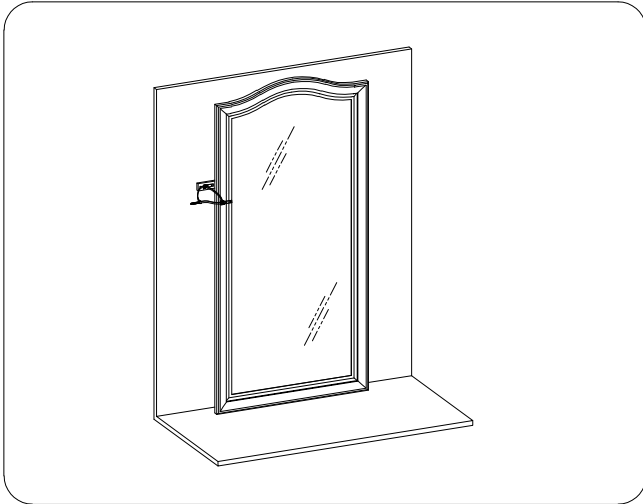




ITEM NO: I218-465F-WHT/SHL Floor Mirror

Thank you for purchasing this quality product. Be sure to check all packing material carefully for small parts that may come loose inside the carton during shipment.



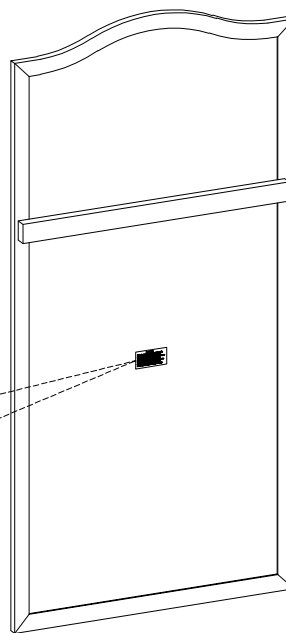
TOOLS REQUIRED (NOT PROVIDED)
PHILLIPS SCREWDRIVER

HARDWARE LIST:			
No.	Description	Sketch	Quantity
A	Wood Screw #4 x 2"		4 PCS
B	Zip Tie		2 PCS

COMPONENTS LIST:			
No.	Description	Sketch	Quantity
1	Mirror		1 PC
2	Wall Cleat		1 PC

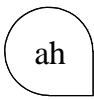
**WARNING**  
 This mirror is not designed to hang on the wall and is too heavy to be used in this way. The mirror is designed to sit on the floor and must be secured by the "Furniture Tipping Restraint" safety device included in the hardware kit attached to the mirror. Follow directions for securing to the wall.

aspenhome



BEFORE USING THIS PRODUCT PLEASE READ, UNDERSTAND, AND FOLLOW THESE INSTRUCTIONS. Save these instructions for future reference.

FOR INDOOR USE ONLY



ITEM NO: I218-465F-WHT/SHL Floor Mirror

**STEP 1:** Attach the wall cleat with wood screws to wall at a height 45". Lace the zip ties through the hole in cleats. Confirm that the zip ties are securely laced and locked.

