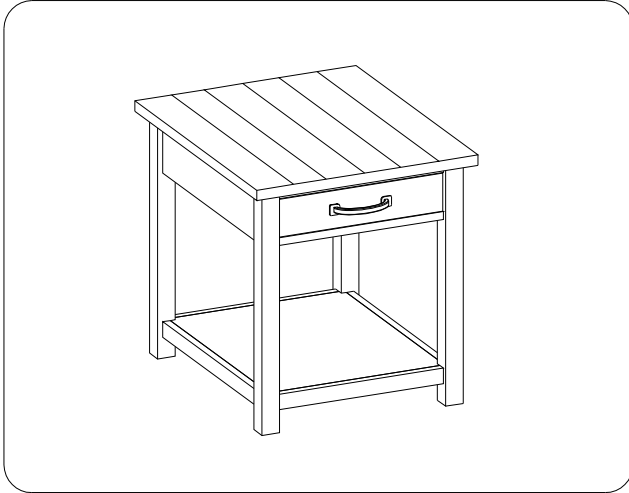




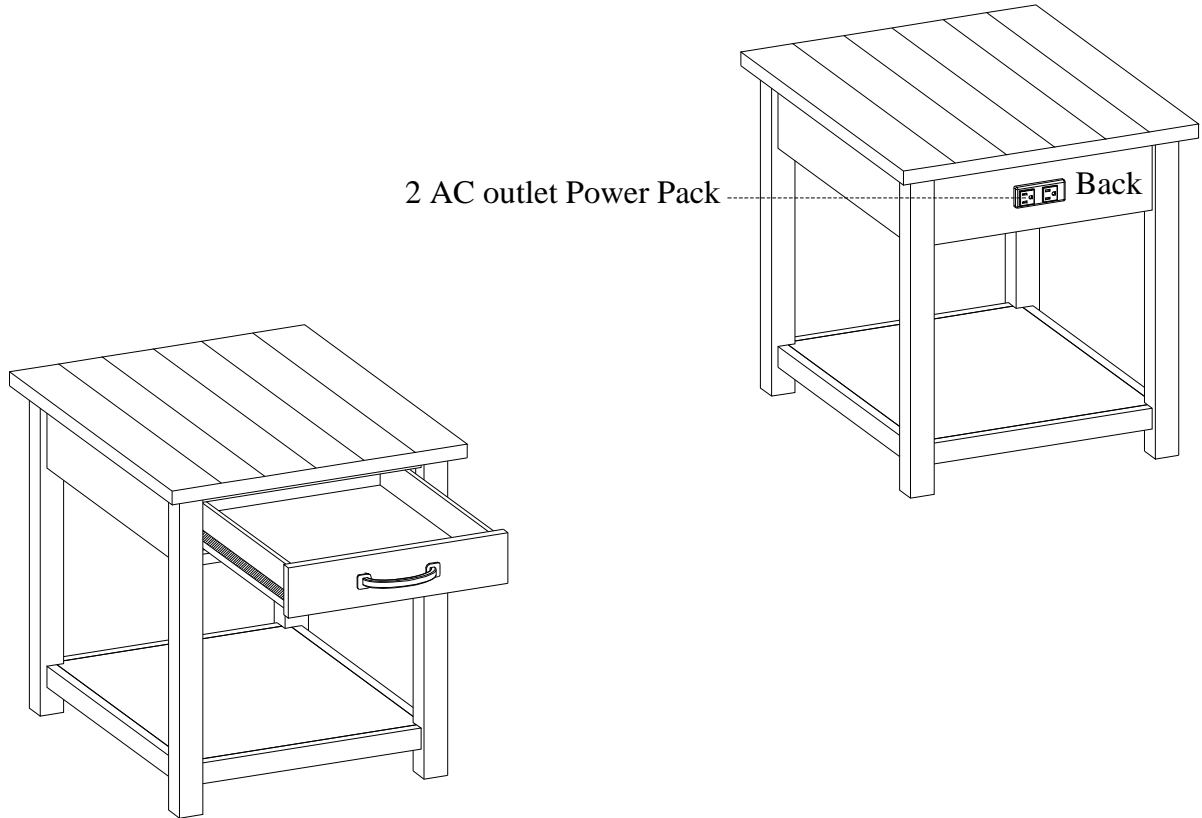
ITEM NO: I221-9140 End Table

Thank you for purchasing this quality product. Be sure to check all packing material carefully for small parts that may come loose inside the carton during shipment.



TOOLS REQUIRED (NOT PROVIDED)			
PHILLIPS SCREWDRIVER			
COMPONENTS LIST:			
No.	Description	Sketch	Quantity
1	Table Top		1 PC
2	Leg		4 PCS
3	Bottom shelf		1 PC
HARDWARE LIST:			
No.	Description	Sketch	Quantity
A	Bolt Ø1/4"*2"		12 PCS
B	Lock Washer Ø1/4"		12 PCS
C	Flat Washer Ø1/4" *3/4"		12 PCS
D	Allen Wrench 4mm		1 PC

### FUNCTIONALITY INSTRUCTION



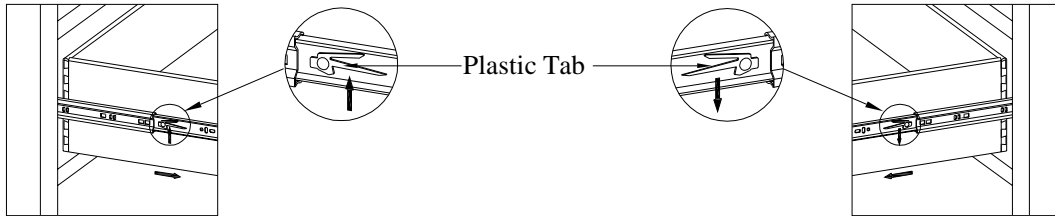
BEFORE USING THIS PRODUCT PLEASE READ, UNDERSTAND, AND FOLLOW THESE INSTRUCTIONS. Save these instructions for future reference.

FOR INDOOR USE ONLY

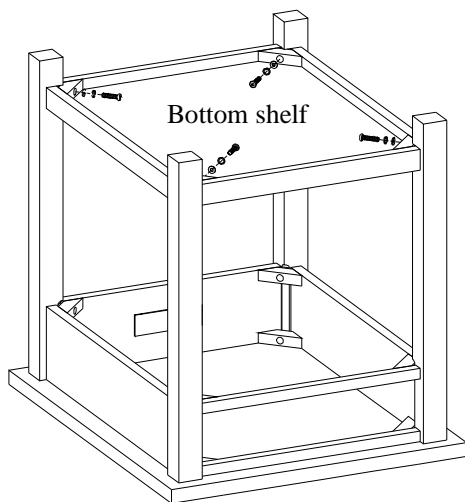
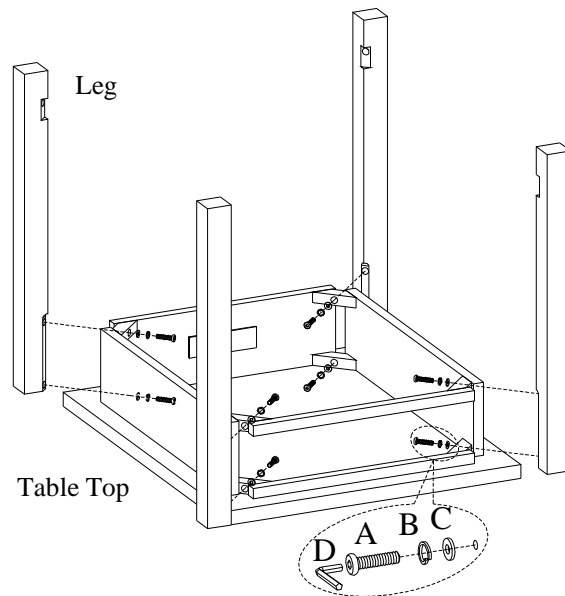


ITEM NO: I221-9140 End Table

**STEP 1:** Remove the drawer from the table top: Fully extend the drawer, then press the plastic tab down on the right and up on the left at the same time as shown below. While holding the tabs pressed down/up, pull the drawer out.



**STEP 2:** Put the table top face down on a soft surface. Attach the legs to table top by using 8 bolts(A), lock washers(B) and flat washers(C). Do not completely tighten bolts.



**STEP 3:** Attach the bottom shelves to legs by using 4 bolts(A), lock washers(B) and flat washers(C). Completely tighten all bolts. Turn the assembled table to the upright position.

**STEP 4:** Replace the drawer in the table: Fully extend the slides from the case. Then align the slides on the drawer to the slides on the case as shown. Push the drawer back in. You may have to slide the drawer in and out several times in order to properly align the ball bearings.

