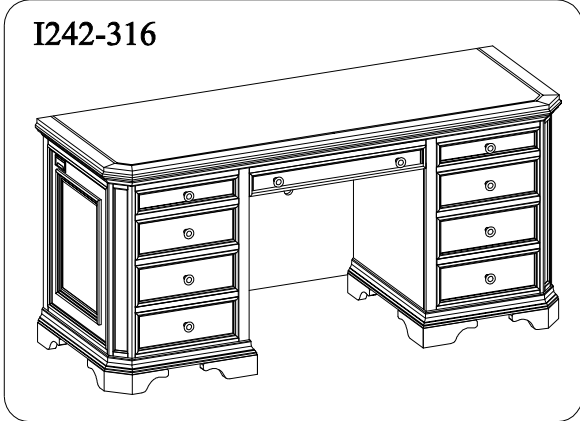


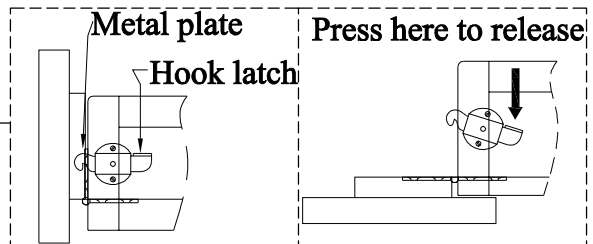
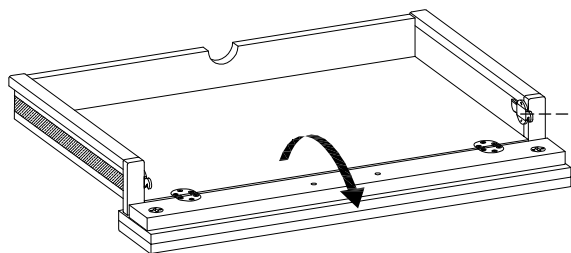
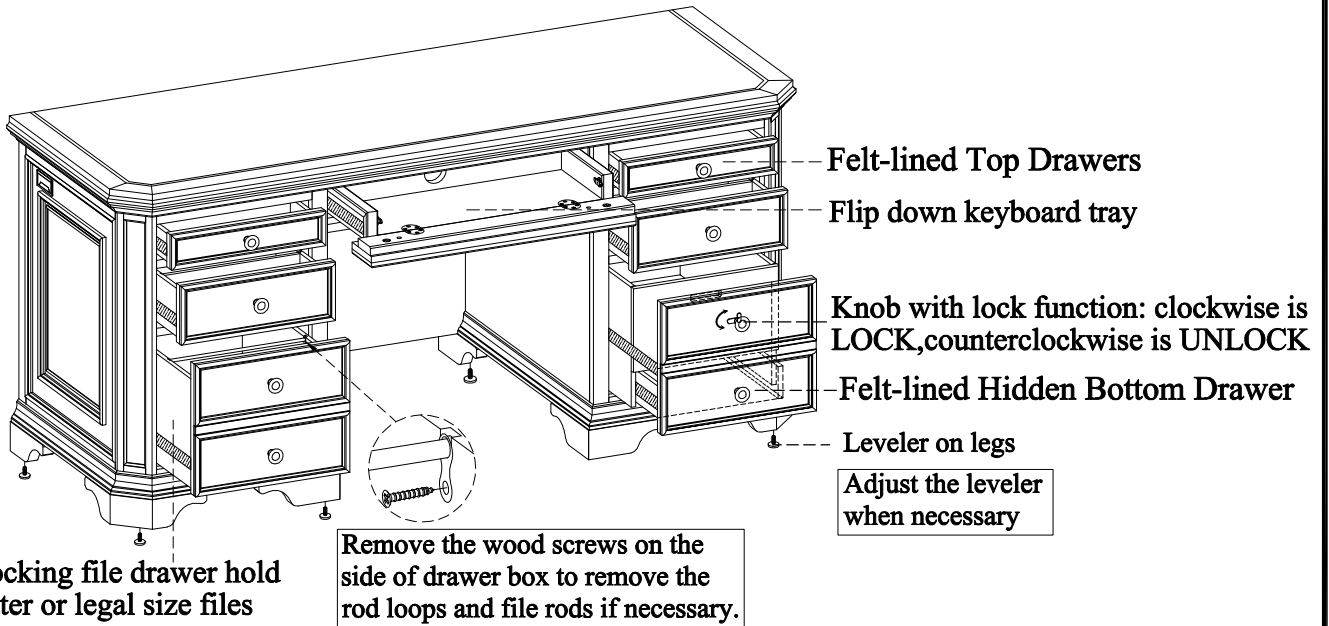
ITEM NO: I242-316 Credenza Desk

Thank you for purchasing this quality product. Be sure to check all packing material carefully for small parts that may come loose inside the carton during shipment.



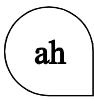
TOOLS REQUIRED (NOT PROVIDED)
PHILLIPS SCREWDRIVER

FUNCTIONALITY INSTRUCTION



BEFORE USING THIS PRODUCT PLEASE READ, UNDERSTAND, AND FOLLOW THESE INSTRUCTIONS. Save these instructions for future reference.

FOR INDOOR USE ONLY



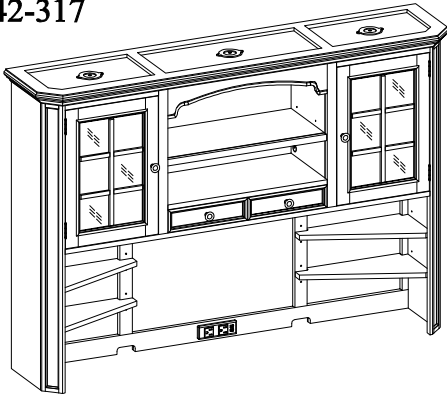
ITEM NO: I242-317 Credenza Hutch

Thank you for purchasing this quality product. Be sure to check all packing material carefully for small parts that may come loose inside the carton during shipment.



UNIT SHOULD BE INSTALLED BY 2 OR MORE PERSONS.

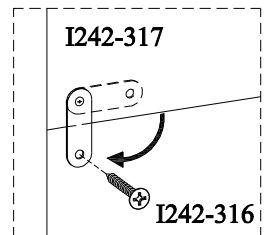
I242-317



TOOLS REQUIRED (NOT PROVIDED)

PHILLIPS SCREWDRIVER

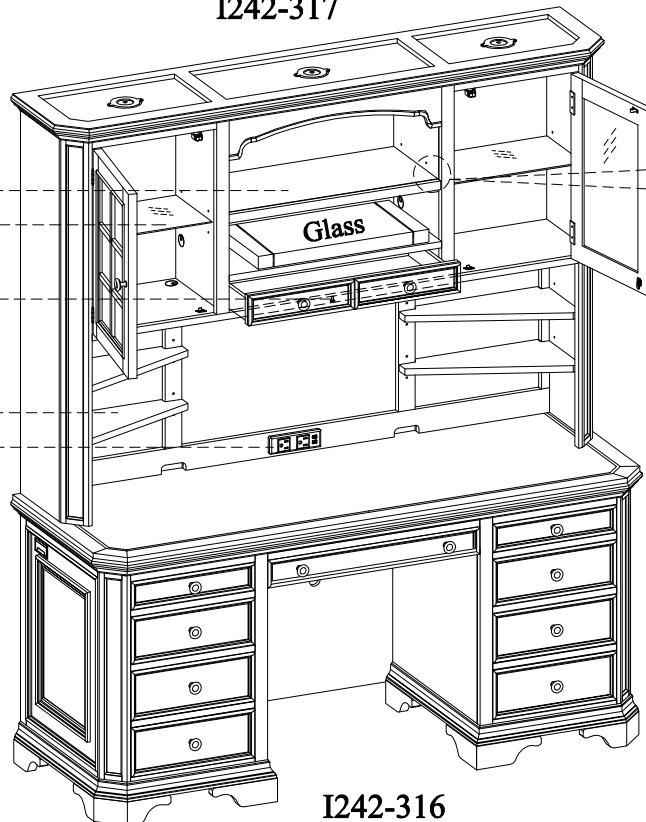
STEP 1: Put the hutch on the credenza top. Take off one screw from each metal plate on the back of hutch and swing it in an ideal place. Then re-secure the metal plate with screw to credenza.



FUNCTIONALITY INSTRUCTION

I242-317

- Adjustable wood shelf
- Adjustable glass shelves
- Push the touch switch to turn on/off or adjust the lighting.
- Adjustable wood shelves
- 2 AC outlet / 2 USB power pack



I242-316

If you prefer to adjust the shelf location, remove the screws and move shelf brackets to the desired location. Then secure the brackets to shelf with screws.

BEFORE USING THIS PRODUCT PLEASE READ, UNDERSTAND, AND FOLLOW THESE INSTRUCTIONS.
Save these instructions for future reference.

FOR INDOOR USE ONLY