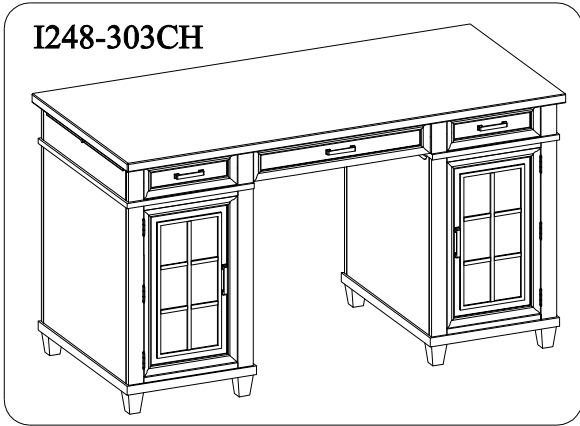




ITEM NO: I248-303CH Counter Height Desk

Thank you for purchasing this quality product. Be sure to check all packing material carefully for small parts that may come loose inside the carton during shipment.



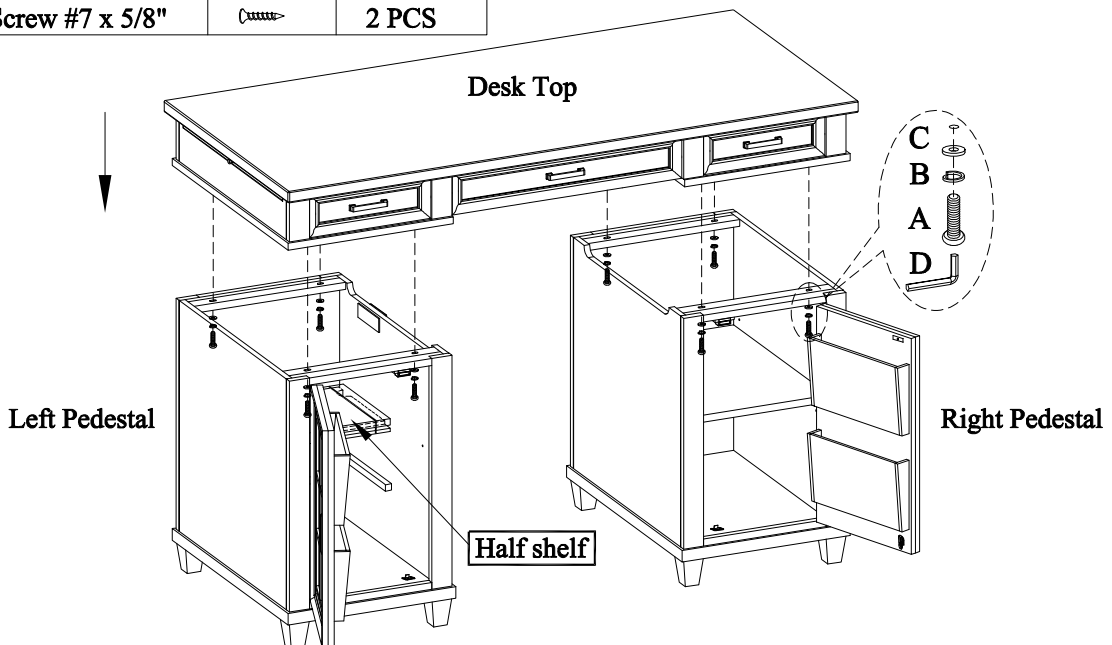
TOOLS REQUIRED (NOT PROVIDED)
PHILLIPS SCREWDRIVER

HARDWARE LIST:

No.	Description	Sketch	Quantity
A	Bolt Ø1/4" x 1-1/2"		8 PCS
B	Lock Washer Ø1/4"		8 PCS
C	Flat Washer Ø1/4" x 3/4"		8 PCS
D	Allen Wrench 4mm		1 PC
E	Shelf Bracket		2 PCS
F	Wood Screw #7 x 5/8"		2 PCS

COMPONENTS LIST:

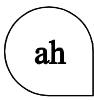
No.	Description	Sketch	Quantity
1	Desk Top		1 PC
2	Left Pedestal		1 PC
3	Right Pedestal		1 PC



STEP 1: Put desk top on left pedestal and right pedestal, attach the pedestals to the desk top by using 8 bolts (A), lock washers (B) and flat washers (C). Then use an allen wrench to tighten all the bolts.

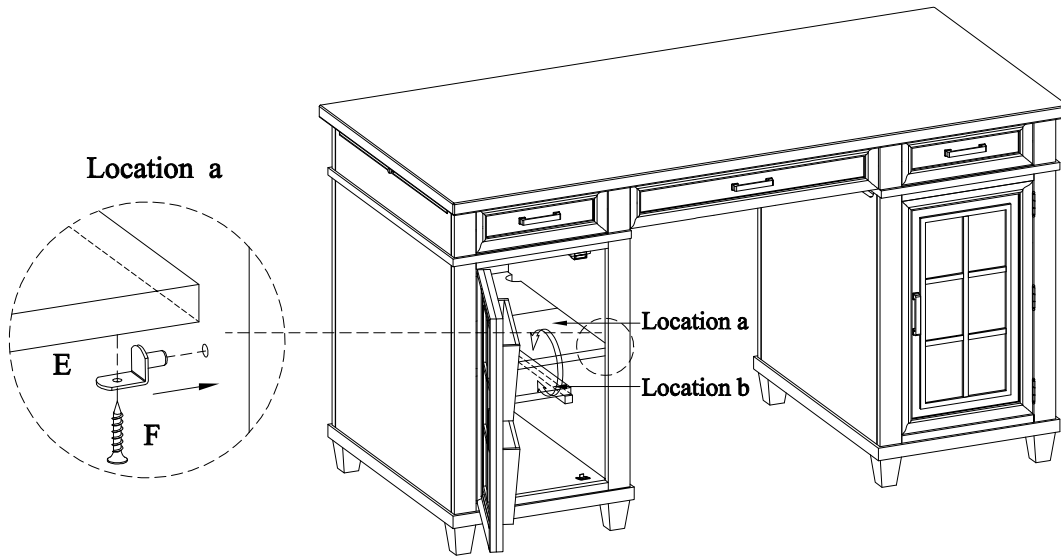
BEFORE USING THIS PRODUCT PLEASE READ, UNDERSTAND, AND FOLLOW THESE INSTRUCTIONS. Save these instructions for future reference.

FOR INDOOR USE ONLY



ITEM NO: I248-303CH Counter Height Desk

STEP 2: When you prefer to position the half shelf in the upper position (location a), insert one shelf bracket (E) into the holes on each side, then secure the brackets to the half shelf with screws (F). When the half shelf is in the lower position (location b), remove the screws and shelf bracket and place the shelf on the lower wood supports.



FUNCTIONALITY INSTRUCTION

