

ITEM NO: I248-450

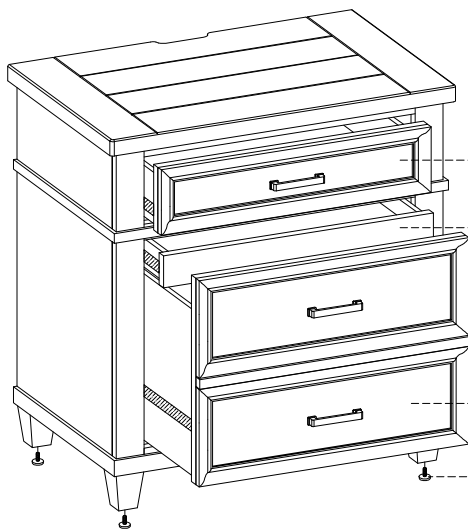
2 Drawer NS

Thank you for purchasing this quality product. Be sure to check all packing material carefully for small parts that may come loose inside the carton during shipment.



TOOLS REQUIRED (NOT PROVIDED)
PHILLIPS SCREWDRIVER

FUNCTIONALITY INSTRUCTION



2 AC outlet Power Pack



BACK

Felt-lined Top Drawer

Felt-lined Hidden Drawer

Cedar-lined Bottom Drawer

Leveler on Legs

Adjust the leveler when necessary

BEFORE USING THIS PRODUCT PLEASE READ, UNDERSTAND, AND FOLLOW THESE INSTRUCTIONS. Save these instructions for future reference.

FOR INDOOR USE ONLY