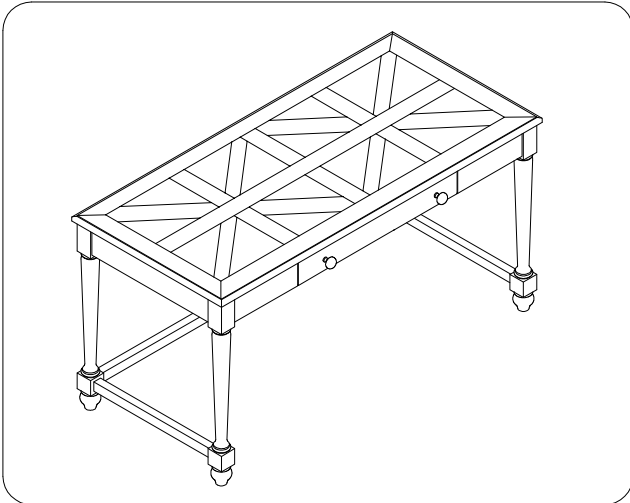


ITEM NO: I250-360WD-COT/ GWD Writing Desk.

Thank you for purchasing this quality product. Be sure to check all packing material carefully for small parts that may come loose inside the carton during shipment.

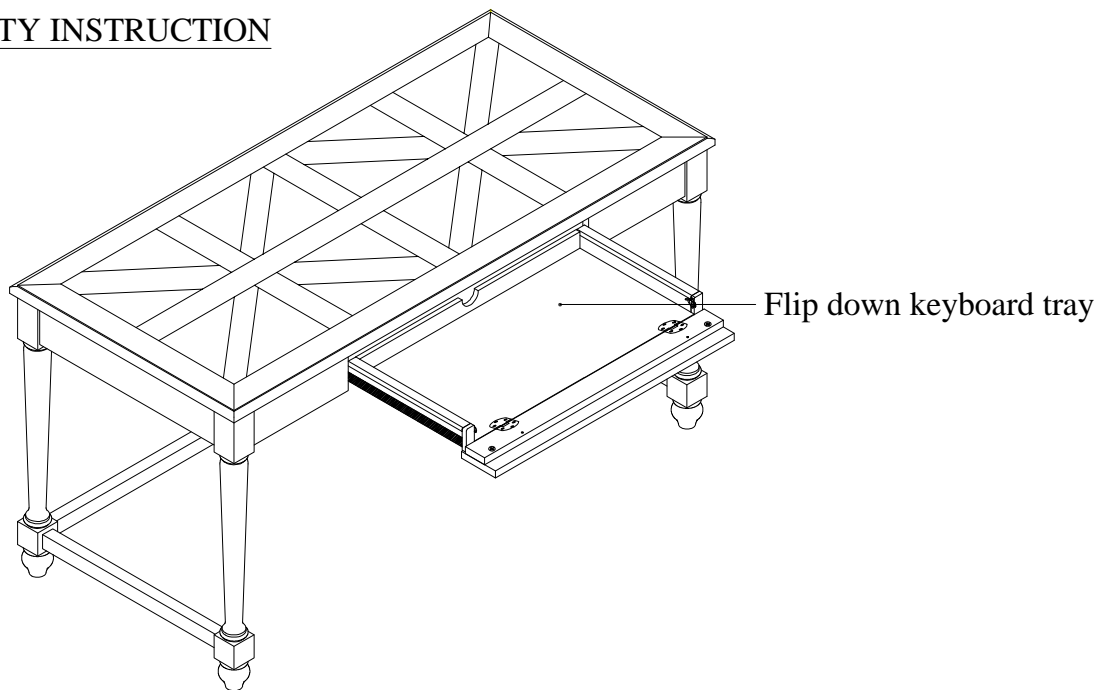


TOOLS REQUIRED (NOT PROVIDED)
PHILLIPS SCREWDRIVER

HARDWARE LIST:			
No.	Description	Sketch	Quantity
A	Bolt Ø1/4" x 2"		2 PCS
B	Allen Wrench		1 PC
C	Bolt Ø3/8" x 2"		8 PCS
D	Hex Wrench		1 PC

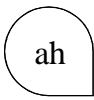
COMPONENTS LIST:			
No.	Description	Sketch	Quantity
1	Desk Top		1 PC
2	Right Leg Assembly		1 PC
3	Left Leg Assembly		1 PC
4	Back Stretcher		1 PC

### FUNCTIONALITY INSTRUCTION



BEFORE USING THIS PRODUCT PLEASE READ, UNDERSTAND, AND FOLLOW THESE INSTRUCTIONS. Save these instructions for future reference.

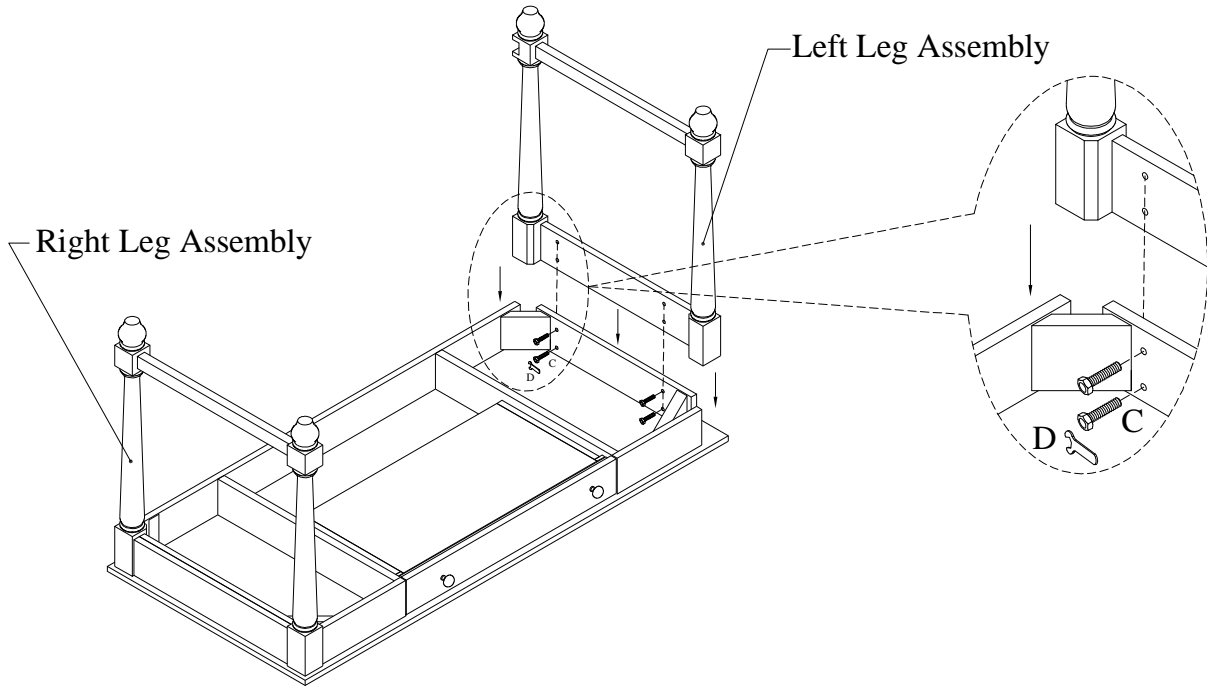
FOR INDOOR USE ONLY



ITEM NO: I250-360WD-COT/ GWD Writing Desk.

**STEP 1:** Put the desk top face down on a soft surface.

**STEP 2:** Attach right and left leg assemblies to the desk top using 8 bolts (C) using Hex Wrench (D).  
Do not tighten completely.



**STEP 3:** Attach the back stretcher using 2 bolts (A). Then use the Allen wrench and hex wrench to tighten all bolts. Return the desk to the upright position.

