



- ITEM NO: I256-3025    Modular File
- I256-3030    Modular Keyboard Tray
- I256-3064    66" Writing Desk
- I256-3078    Modular Hutch

Thank you for purchasing this quality product. Be sure to check all packing material carefully for small parts that may come loose inside the carton during shipment.

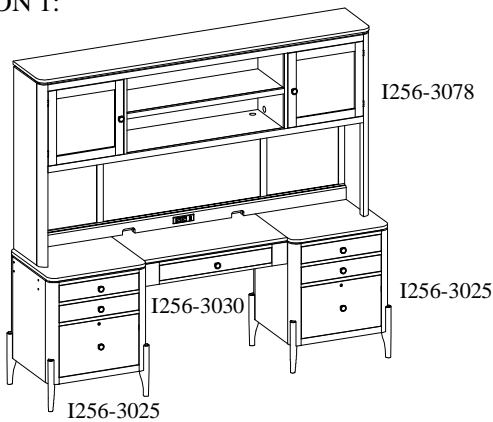


**UNIT SHOULD BE INSTALLED BY 2 OR MORE PERSONS.**









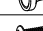
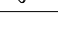
**TOOLS REQUIRED (NOT PROVIDED)**

**PHILLIPS SCREWDRIVER** 

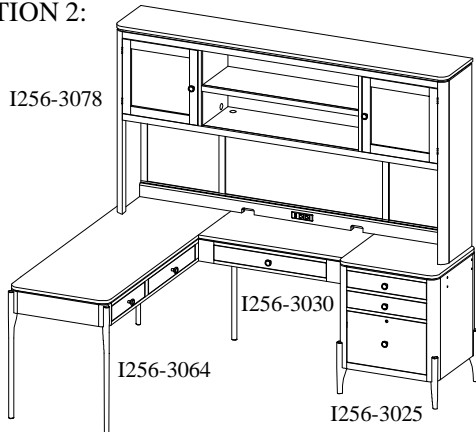
**OPTION 1:**



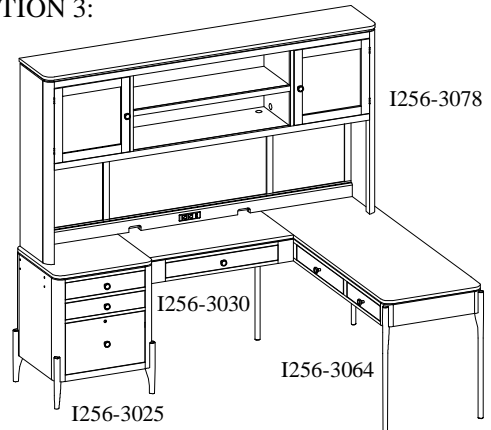
**HARDWARE LIST: I256-3030**

| No. | Description               | Sketch  | Quantity |
|-----|---------------------------|---|----------|
| A   | Bolt Ø5/16" x 1-1/2"      |    | 8 PCS    |
| B   | Lock Washer Ø5/16"        |    | 8 PCS    |
| C   | Flat Washer Ø5/16" x 3/4" |    | 8 PCS    |
| D   | Bolt Ø1/4" x 1"           |    | 6 PCS    |
| E   | Lock Washer Ø1/4"         |    | 6 PCS    |
| F   | Flat Washer Ø1/4" x 3/4"  |   | 6 PCS    |
| G   | Allen Wrench 4mm          |  | 1 PC     |
| H   | Metal Plate               |  | 1 PC     |
| I   | Knob                      |  | 1 PC     |
| J   | Screw Ø5/32" x 1-1/4"     |  | 1 PC     |

**OPTION 2:**



**OPTION 3:**



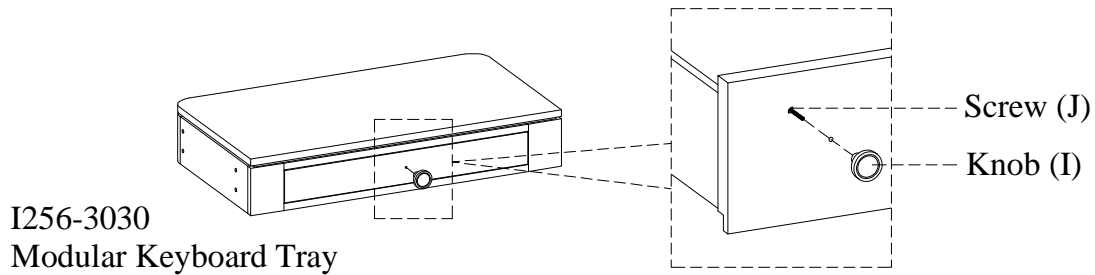
**BEFORE USING THIS PRODUCT PLEASE READ, UNDERSTAND, AND FOLLOW THESE INSTRUCTIONS.**  
Save these instructions for future reference.

**FOR INDOOR USE ONLY**



ITEM NO: I256-3025    Modular File  
          I256-3030    Modular Keyboard Tray  
          I256-3064    66" Writing Desk  
          I256-3078    Modular Hutch

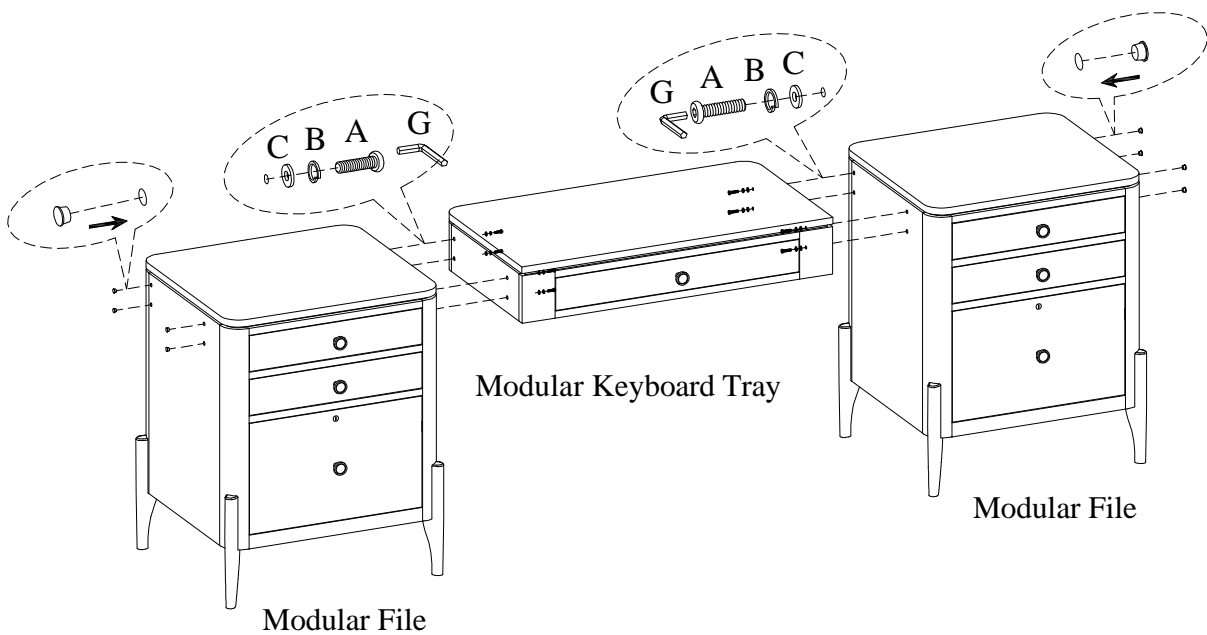
**STEP 1:** Install the knob (I) to the keyboard drawer front with the screw (J) with screws as shown below.



### FOR OPTION 1:

**STEP 2:** Attach the modular keyboard tray to the modular files by using 8 bolts (A), lock washers (B) and flat washers (C) as shown below. Tighten all bolts with an Allen wrench (G).

**STEP 3:** Insert wood Plugs into the holes on both modular files as shown below.

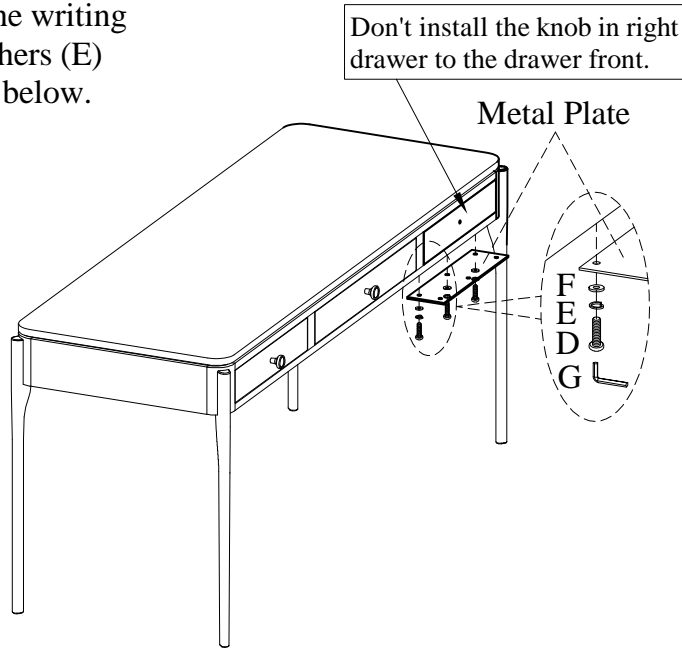




ITEM NO: I256-3025    Modular File  
 I256-3030    Modular Keyboard Tray  
 I256-3064    66" Writing Desk  
 I256-3078    Modular Hutch

### FOR OPTION 2:

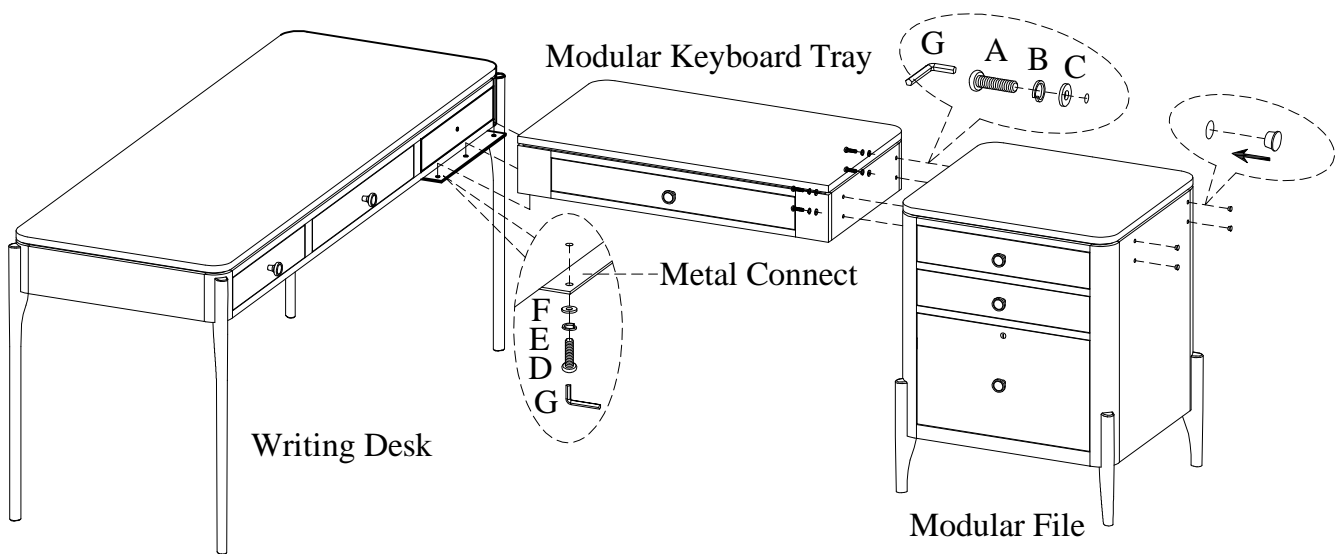
**STEP 2:** Attach the metal plate to the writing desk by using 3 bolts (D), lock washers (E) and flat washers (F) as shown right below. Do not completely tighten bolts.

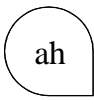


**STEP 3-1:** Attach the modular keyboard tray to the modular file by using 4 bolts (A), lock washers (B) and flat washers (C) as shown below.

**STEP 3-2:** Attach the modular keyboard tray to the writing desk by using 3 bolts (D), lock washers (E) and flat washers (F) as shown below. Tighten all bolts with an Allen wrench (G).

**STEP 4:** Insert wood plugs into the holes on modular file as shown below.

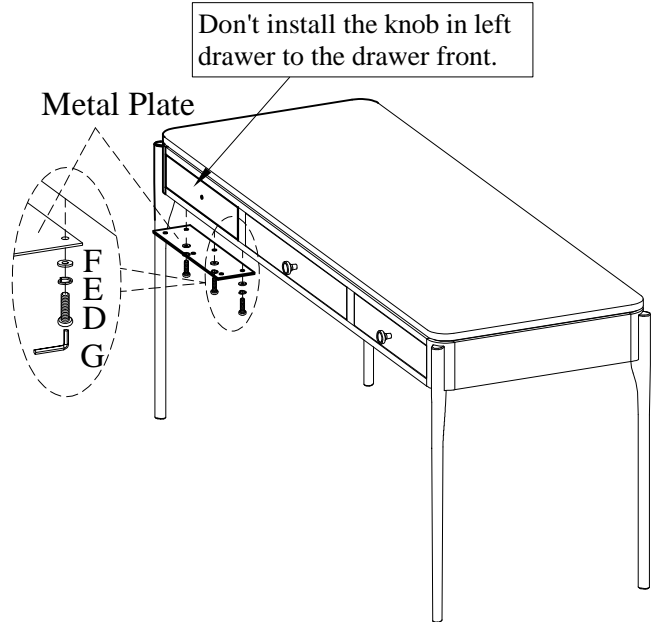




- ITEM NO: I256-3025    Modular File
- I256-3030    Modular Keyboard Tray
- I256-3064    66" Writing Desk
- I256-3078    Modular Hutch

### FOR OPTION 3:

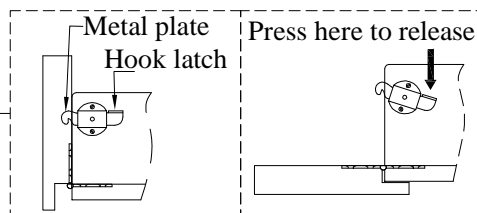
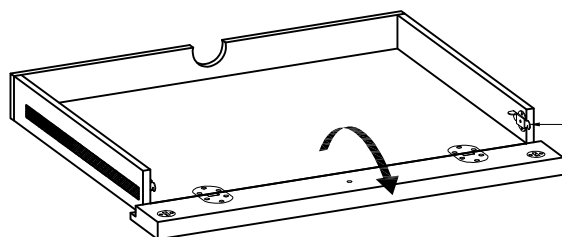
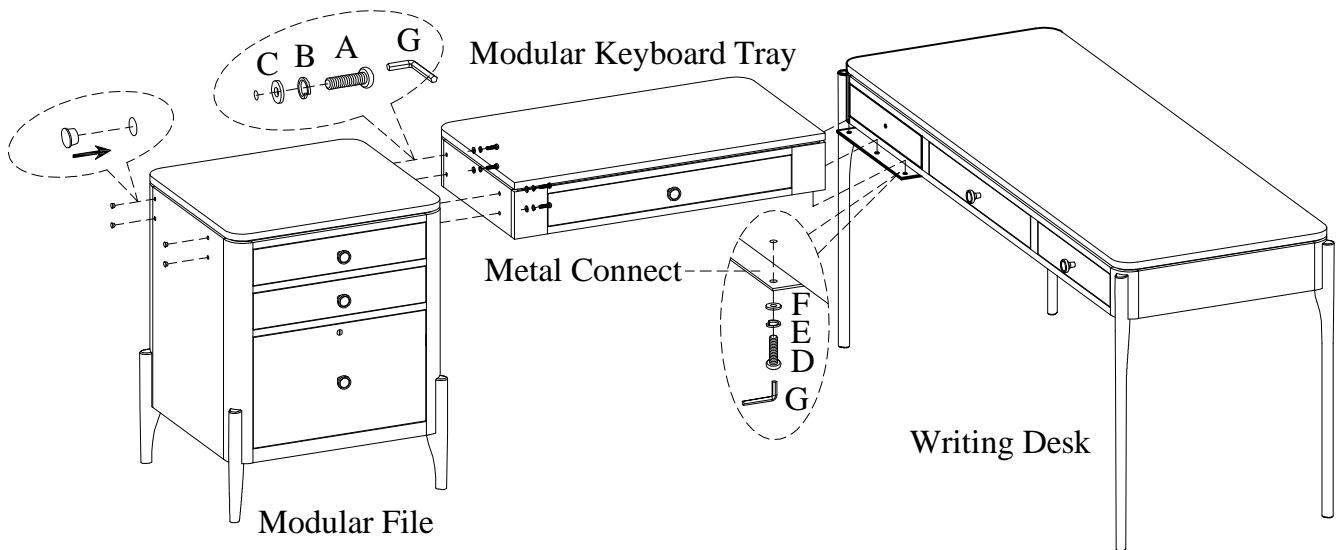
**STEP 2:** Attach the metal plate to the writing desk by using 3 bolts (D), lock washers (E) and flat washers (F) as shown right below. Do not completely tighten bolts.

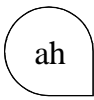


**STEP 3-1:** Attach the modular keyboard tray to the modular file by using 4 bolts (A), lock washers (B) and flat washers (C) as shown below.

**STEP 3-2:** Attach the modular keyboard tray to the writing desk by using 3 bolts (D), lock washers (E) and flat washers (F) as shown below. Tighten all bolts with an Allen wrench (G).

**STEP 4:** Insert wood plugs into the holes on modular file as shown below.



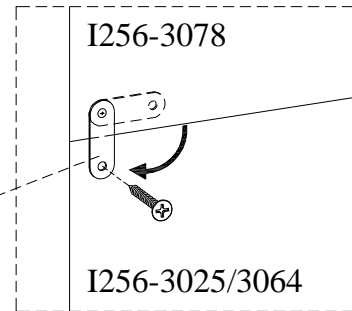


- ITEM NO: I256-3025    Modular File
- I256-3030    Modular Keyboard Tray
- I256-3064    66" Writing Desk
- I256-3078    Modular Hutch

### FOR OPTION 1 & 2 & 3:

**STEP 5:** Put the hutch on the assembled group. Take off one screw from each metal plate on the back of hutch and swing it in an ideal place. Then re-secure the metal plate with screw to original position.

Metal plates (2pcs) on the back of hutch



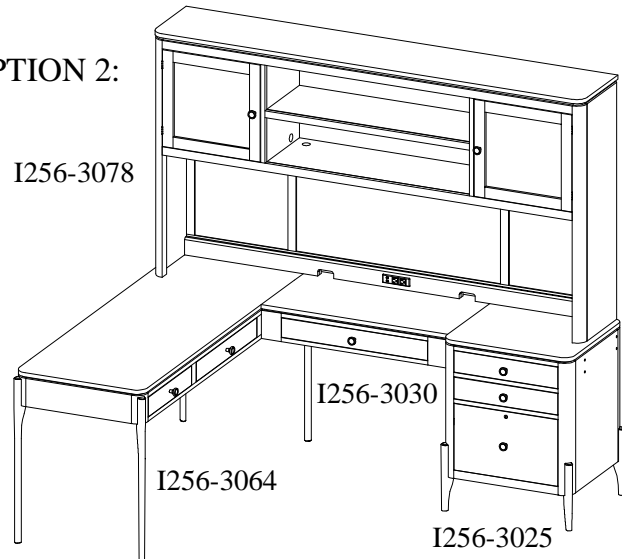
### FUNCTIONALITY INSTRUCTION

#### OPTION 1:



----- Leveler on legs  
Adjust the leveler when necessary

#### OPTION 2:



#### OPTION 3:

