

ASSEMBLY INSTRUCTIONS

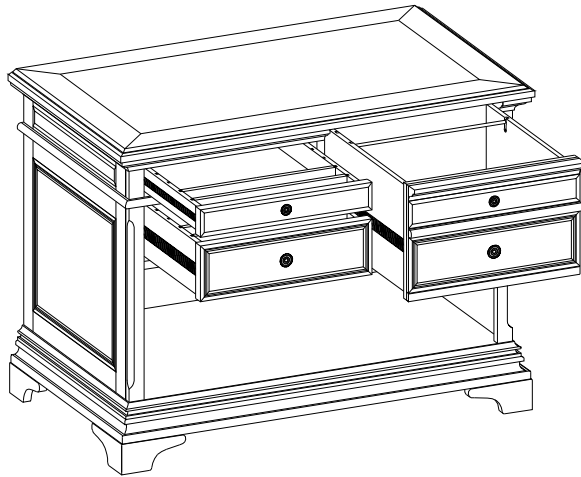
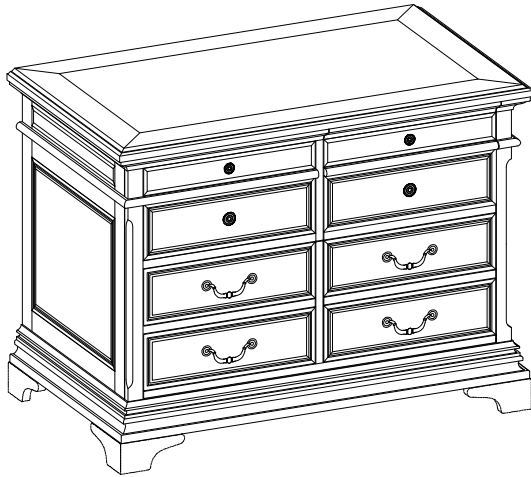


aspenhome[®]

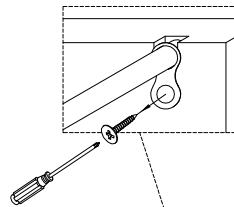
Distributed by Furniture Values International, LLC



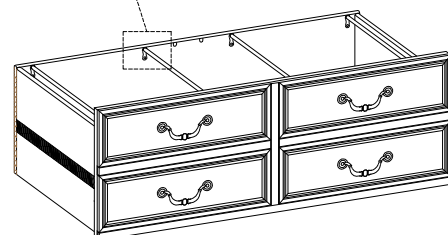
ITEM NO:I26-378-1 Combo File



Detail 1



Remove the wood screws on the back panels of drawer box to remove the rod loops and file rods if necessary.



ASSEMBLY INSTRUCTIONS



aspenhome[®]

Distributed by Furniture Values International, LLC

Instruction for the File Drawer with Heavy Duty Ball Bearing Slides

To remove the drawer, please remove the set screws on two sides of the drawers. Push the tab in toward the drawer and lift up the drawer to move out.

To install the drawer, please extend the slides all the way out. Set the drawer box into cabinet rail and slide back so the drawer rail goes under the hook in cabinet rail. Then snap the tab into drawer rail.

