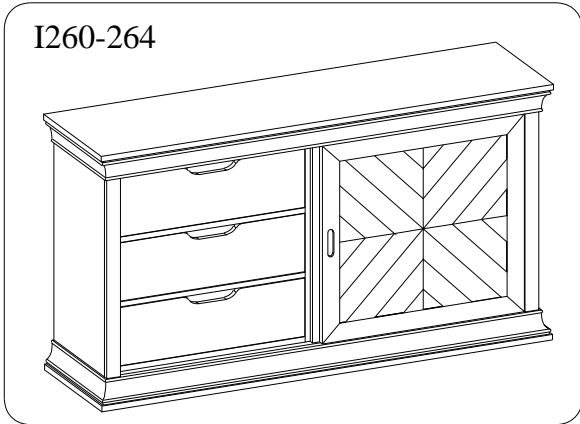


ITEM NO: I260-264 66" Console w/ Sliding Door

Thank you for purchasing this quality product. Be sure to check all packing material carefully for small parts that may come loose inside the carton during shipment.

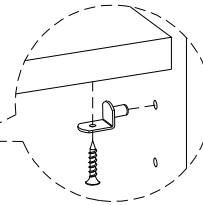
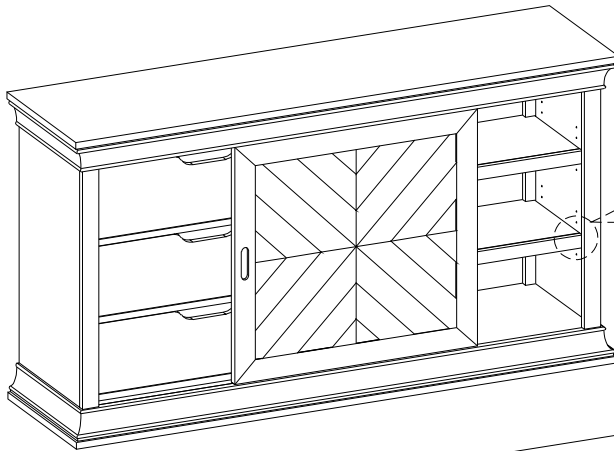
I260-264



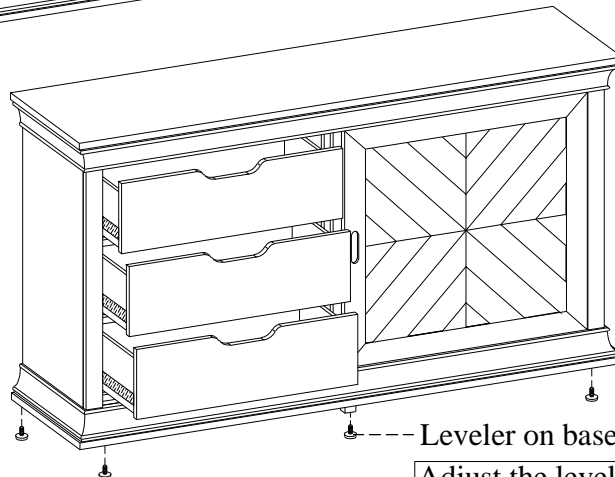
TOOLS REQUIRED (NOT PROVIDED)

PHILLIPS SCREWDRIVER

FUNCTIONALITY INSTRUCTION



If you prefer to adjust the shelf location, remove the screws and move shelf brackets to the desired location. Then secure the brackets to shelf with screws.



Leveler on base & support leg

Adjust the leveler when necessary

BEFORE USING THIS PRODUCT PLEASE READ, UNDERSTAND, AND FOLLOW THESE INSTRUCTIONS. Save these instructions for future reference.

FOR INDOOR USE ONLY