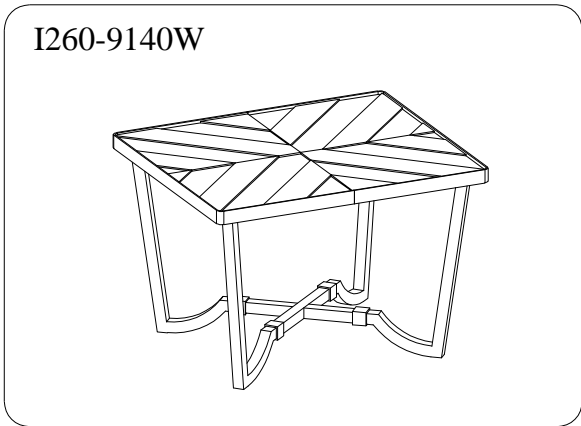




ITEM NO: I260-9140W End Table w/ Wood Top

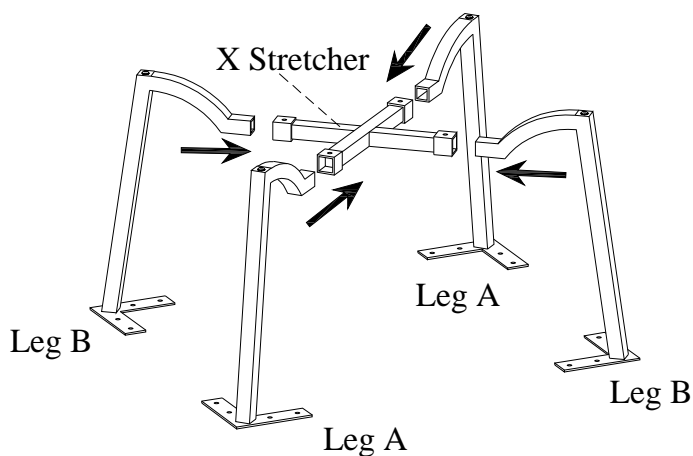
Thank you for purchasing this quality product. Be sure to check all packing material carefully for small parts that may come loose inside the carton during shipment.



TOOLS REQUIRED (NOT PROVIDED)
PHILLIPS SCREWDRIVER

HARDWARE LIST:			
No.	Description	Sketch	Quantity
A	Bolt Ø1/4" x 1/2"		20 PCS
B	Allen Wrench 4mm		1 PC

COMPONENTS LIST:			
No.	Description	Sketch	Quantity
1	Table Top		1 PC
2	X Stretcher		1 PC
3	Leg A		2 PCS
4	Leg B		2 PCS



STEP 1: Insert the legs A and legs B to the X stretcher as shown.

BEFORE USING THIS PRODUCT PLEASE READ, UNDERSTAND, AND FOLLOW THESE INSTRUCTIONS.
Save these instructions for future reference.

FOR INDOOR USE ONLY



ITEM NO: I260-9140W

End Table w/ Wood Top

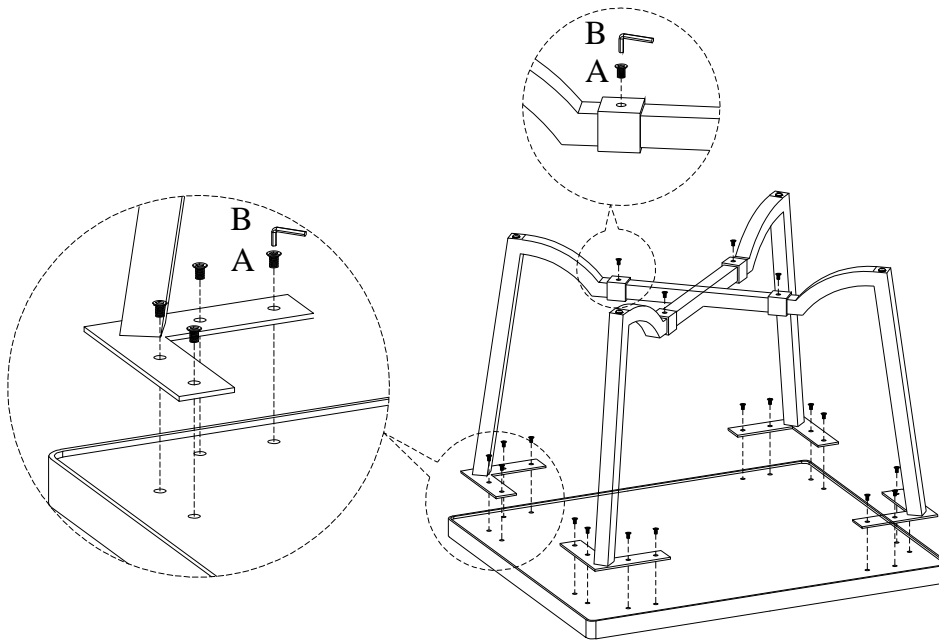
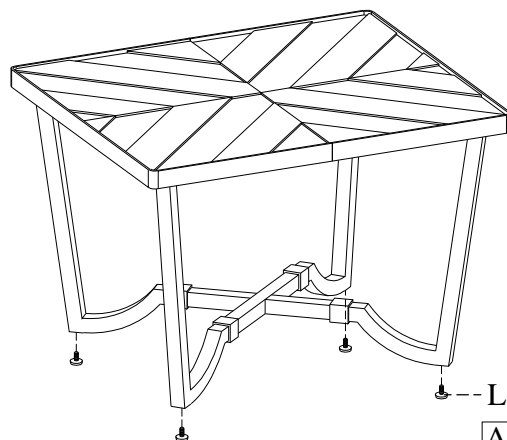


Table Top

STEP 2: Put the table top face down on a soft surface, Attach the legs with X stretcher to the table top by using 20 bolts(A). Completely tighten all bolts. Turn the assembled table to the upright position.

FUNCTIONALITY INSTRUCTION



Adjust the leveler when necessary