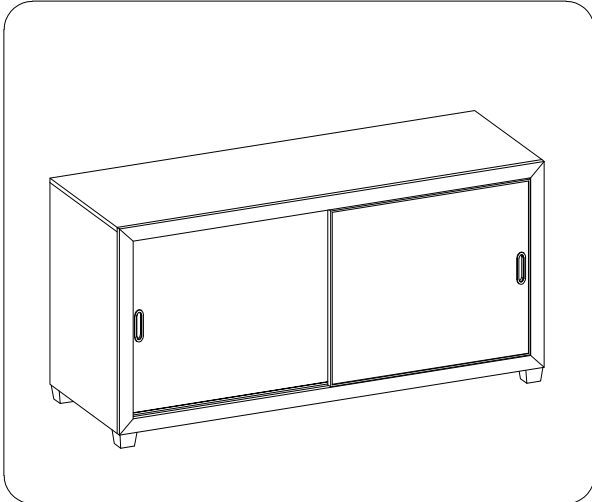


ITEM NO: I262-316 Credenza/Console

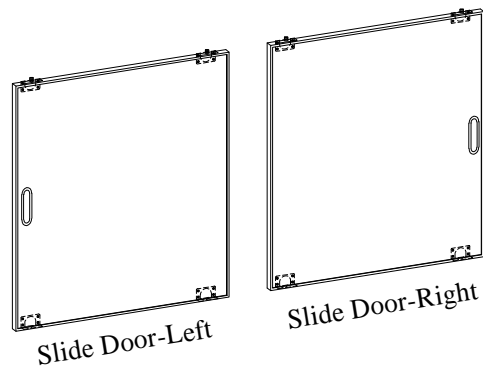
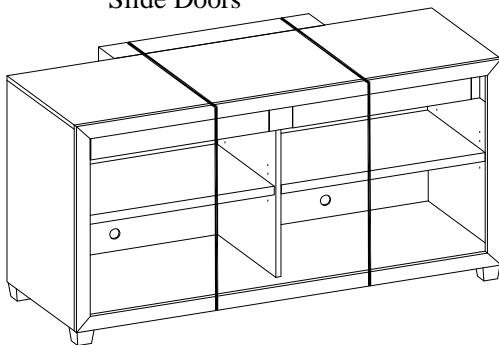
Thank you for purchasing this quality product. Be sure to check all packing material carefully for small parts that may come loose inside the carton during shipment.



TOOLS REQUIRED (NOT PROVIDED)	
PHILLIPS SCREWDRIVER	

COMPONENTS LIST:			
No.	Description	Sketch	Quantity
1	Credenza/Console		1 PC
2	Slide Door-Left		1 PC
2	Slide Door-Right		1 PC

Slide Doors



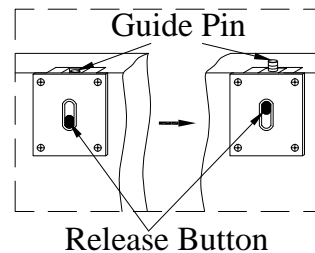
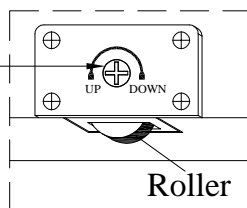
INSTALL THE SLIDE DOORS:

Push the guide pins down so they are inside the door. Place the roller on the metal track so the door rolls smoothly. Place the top of the door underneath the track so when you push the release button the pins go up in to the track as shown below.

REMOVE THE SLIDE DOORS(if necessary):

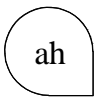
Press and lower the release buttons on the back of the door to lower the guide pins as shown below. Then remove the door.

Adjust here to adjust the roller up or down



BEFORE USING THIS PRODUCT PLEASE READ, UNDERSTAND, AND FOLLOW THESE INSTRUCTIONS. Save these instructions for future reference.

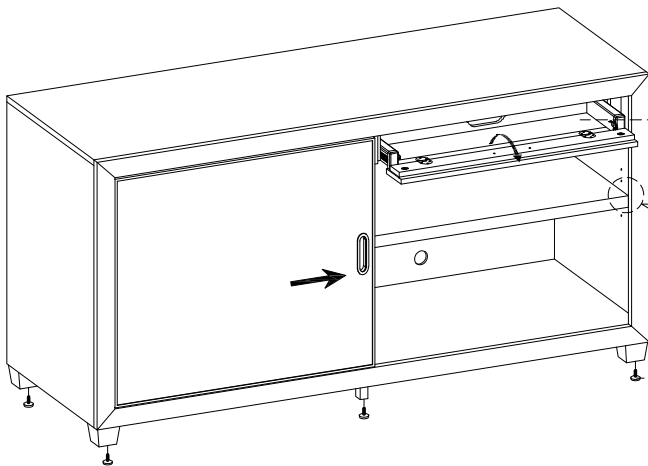
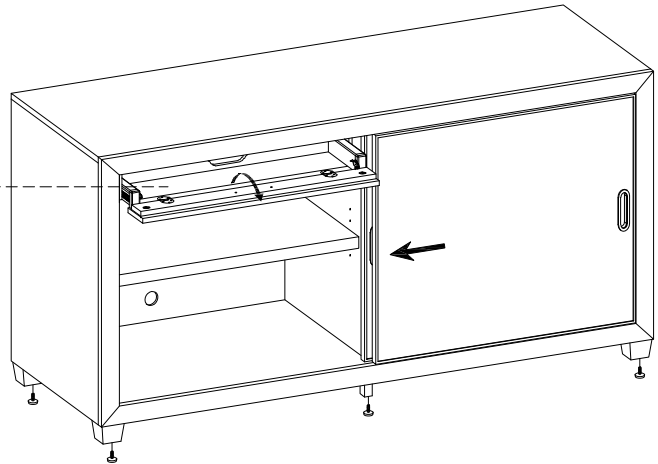
FOR INDOOR USE ONLY



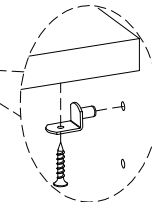
ITEM NO: I262-316 Credenza/Console

FUNCTIONALITY INSTRUCTION

Flip down keyboard tray



Flip down keyboard tray



If you prefer to adjust the shelf location, remove the screws and move shelf brackets to the desired location. Then secure the brackets to shelf with screws.

Leveler on legs & support leg

Adjust the leveler when necessary

