

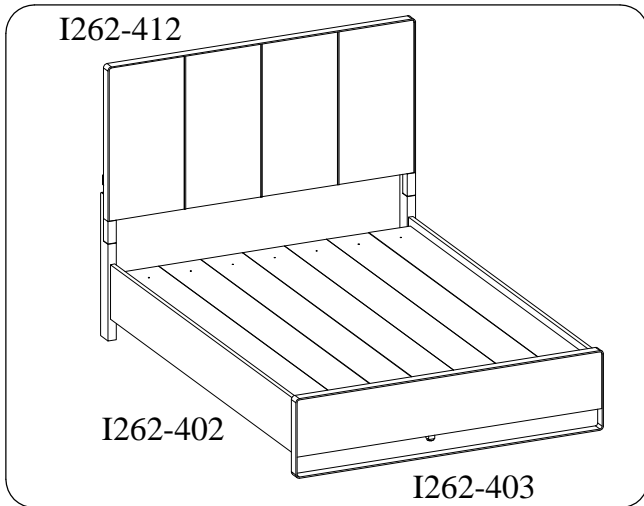


ITEM NO: I262-412 Queen Panel HB
 I262-402 Queen Rails
 I262-403 Queen Panel FB

Thank you for purchasing this quality product. Be sure to check all packing material carefully for small parts that may come loose inside the carton during shipment.



UNIT SHOULD BE INSTALLED BY 2 OR MORE PERSONS.



All Beds need to be set up in the exact final location so that after full assembly it will not need to be moved. Moving the bed will cause the support legs to move out of perpendicular (90 degree), weaken the support system, and may allow the bed to collapse.

TOOLS REQUIRED (NOT PROVIDED)
PHILLIPS SCREWDRIVER

HARDWARE LIST: I262-412			
No.	Description	Sketch	Quantity
A	Bolt Ø5/16" x 1-3/4"		8 PCS
B	Lock Washer Ø5/16"		8 PCS
C	Flat Washer Ø5/16" x 3/4"		8 PCS
D	Allen Wrench 5mm		1 PC

COMPONENTS LIST: I262-412			
No.	Description	Sketch	Quantity
1	Headboard		1 PC
2	Left Leg		1 PC
3	Right Leg		1 PC
4	Wood Stretcher		1 PC

HARDWARE LIST: I262-402			
No.	Description	Sketch	Quantity
E	Hanger Bolt Ø5/16" x 3-1/2"		8 PCS
F	Half Moon Washer Ø5/16"		8 PCS
G	Lock Washer Ø5/16"		8 PCS
H	Hex Nut Ø5/16"		8 PCS
I	Hex Wrench 12mm		1 PC
J	Wood Screw #8 x 1"		8 PCS
K	Wood Screw #8 x 3/4"		7 PCS

COMPONENTS LIST: I262-402			
No.	Description	Sketch	Quantity
1	Bed rails		2 PCS
2	Slats		4 PCS
3	Decking		7 PCS

COMPONENTS LIST: I262-403			
No.	Description	Sketch	Quantity
1	Footboard		1 PC
2	Long Support Leg (for slats)		4 PCS
3	Short Support Leg (for slats)		4 PCS

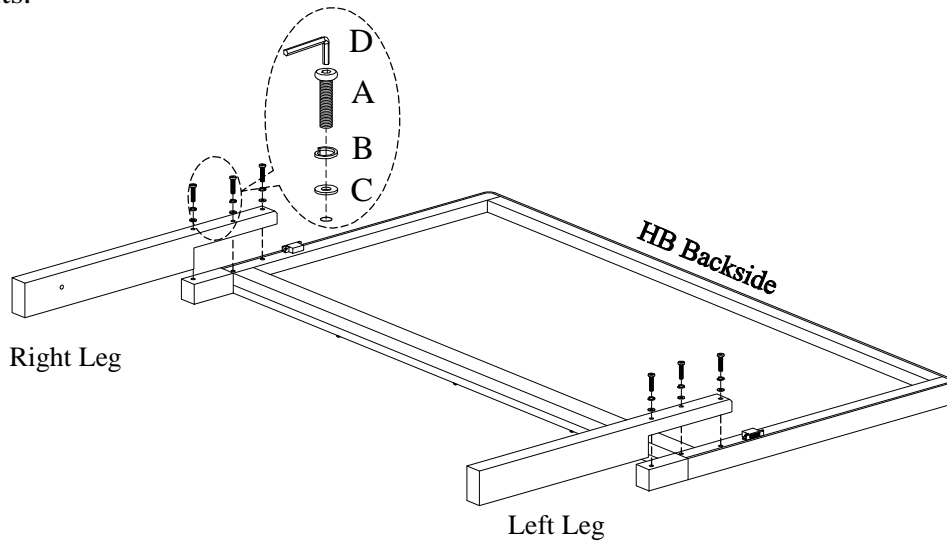
BEFORE USING THIS PRODUCT PLEASE READ, UNDERSTAND, AND FOLLOW THESE INSTRUCTIONS. Save these instructions for future reference.

FOR INDOOR USE ONLY

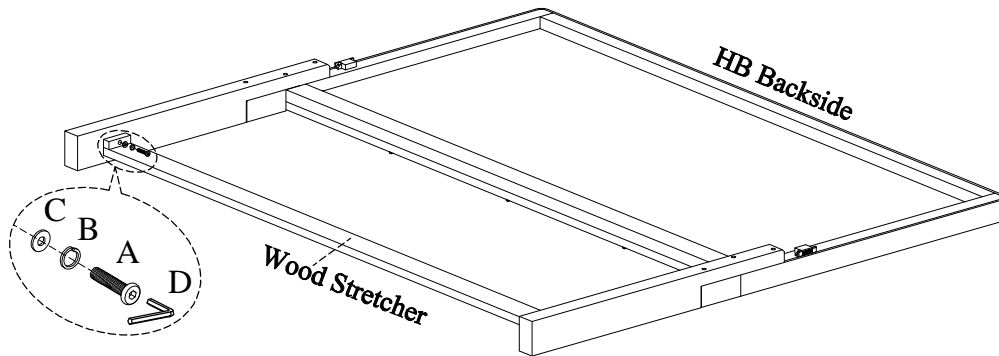


ITEM NO: I262-412 Queen Panel HB
 I262-402 Queen Rails
 I262-403 Queen Panel FB

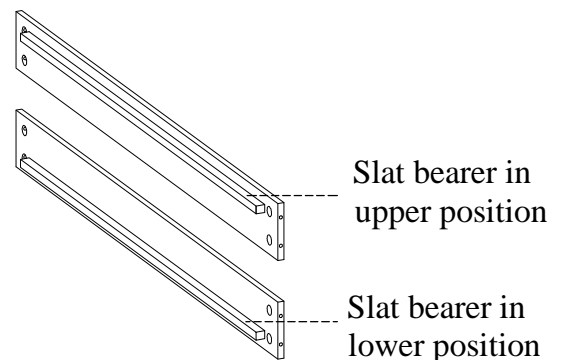
STEP 1: Lay the headboard face down on a soft surface. Attach the left leg and right leg to headboard by using 6 bolts(A), lock washers(B) and flat washers(C). Do not completely tighten bolts.

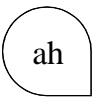


STEP 2: Attach the wood stretcher to left leg and right leg by using 2 bolts(A), lock washers(B) and flat washers(C). Completely tighten all bolts.



STEP 3: The side rails may be used on either side. Arrange the side rails so the slat bearers are in UPPER POSITION prior to attachment as OPTION 1 and the slat bearers are in LOWER POSITION prior to attachment as OPTION 2.

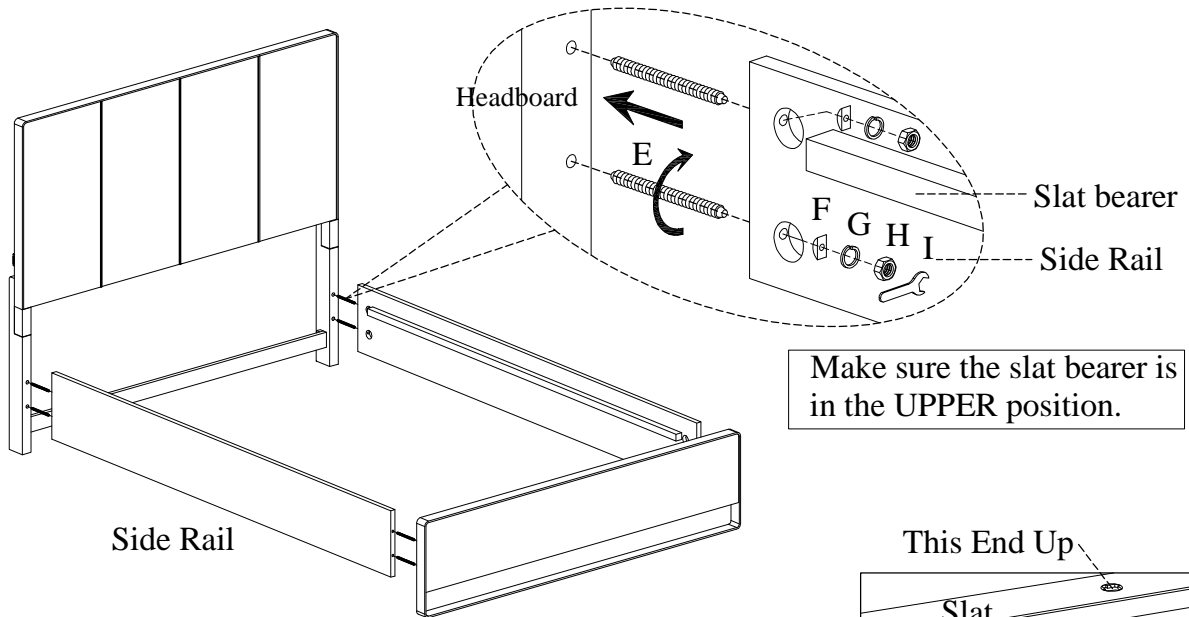




ITEM NO: I262-412 Queen Panel HB
 I262-402 Queen Rails
 I262-403 Queen Panel FB

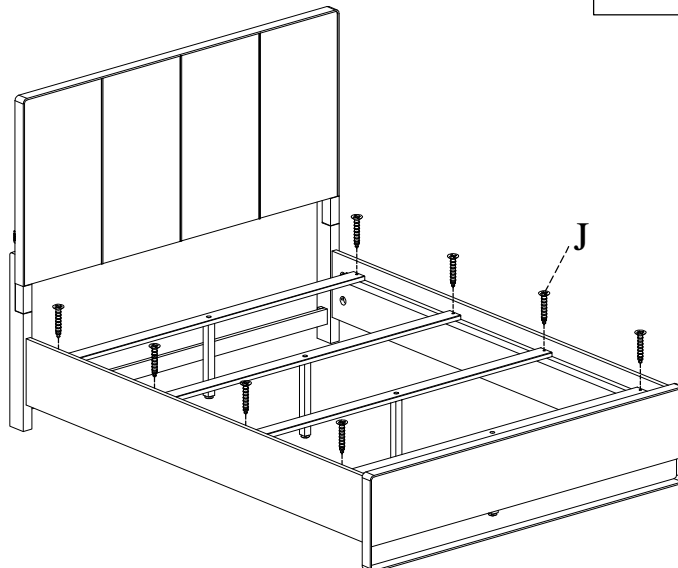
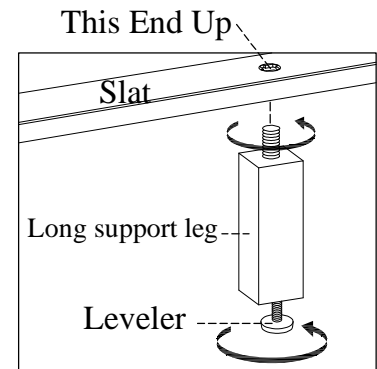
OPTION 1: The side rails may be used on either side. Arrange the side rails so the slat bearers are in UPPER POSITION prior to attachment in STEP 4.

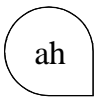
STEP 4: Screw the bolts(E) into HB & FB. Make sure the slat bearer is in the UPPER position. Align the bolts with the holes in the end of side rails and attach the side rails to HB & FB using half moon Washer(F) lock washers(G) and hex nuts (H). Then use a hex wrench to tighten all the nuts.



STEP 5: Attach the long support legs with leveler to the slats. Adjust the levelers on bottom of long support legs when necessary.

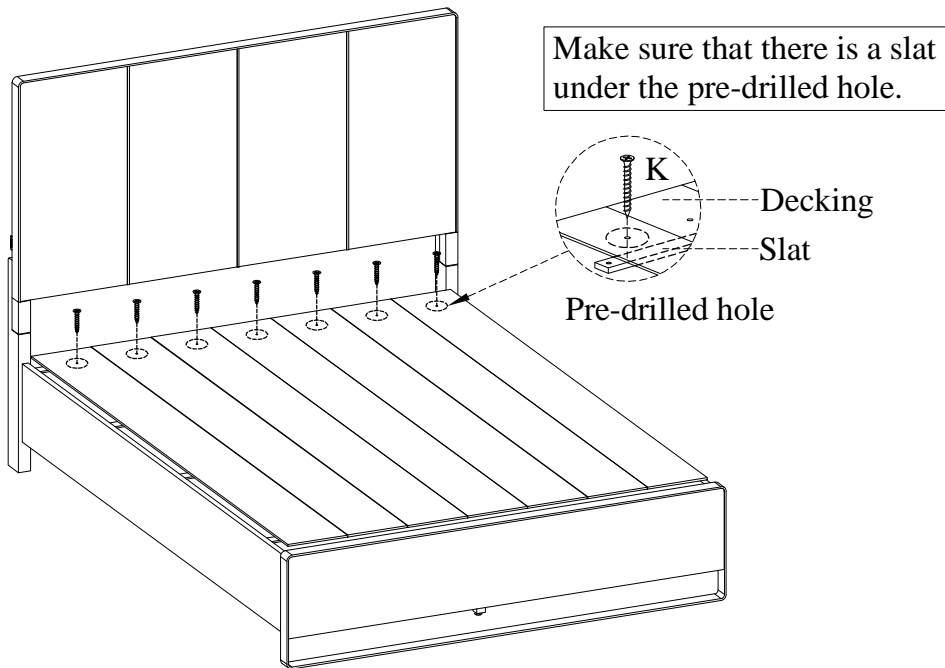
STEP 6: Arrange slats on the slat bearers and then lay the decking on top of the slats. Make sure the top and bottom slats are situated underneath the pre-drilled holes as shown in STEP 7. Remove the decking and attach slats to the slat bearers with wood screws (J).



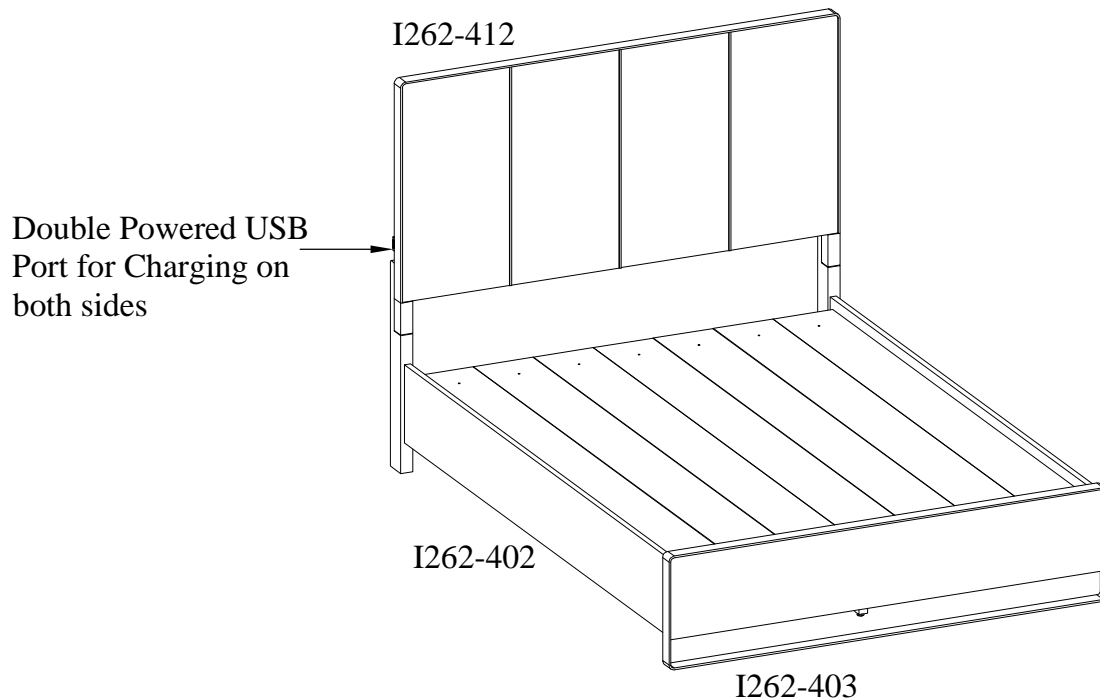


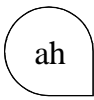
ITEM NO: I262-412 Queen Panel HB
I262-402 Queen Rails
I262-403 Queen Panel FB

STEP 7: Put the decking over the slats, secure decking to the slats with wood screws (K) through the pre-drilled holes in the decking as shown below.



FUNCTIONALITY INSTRUCTION

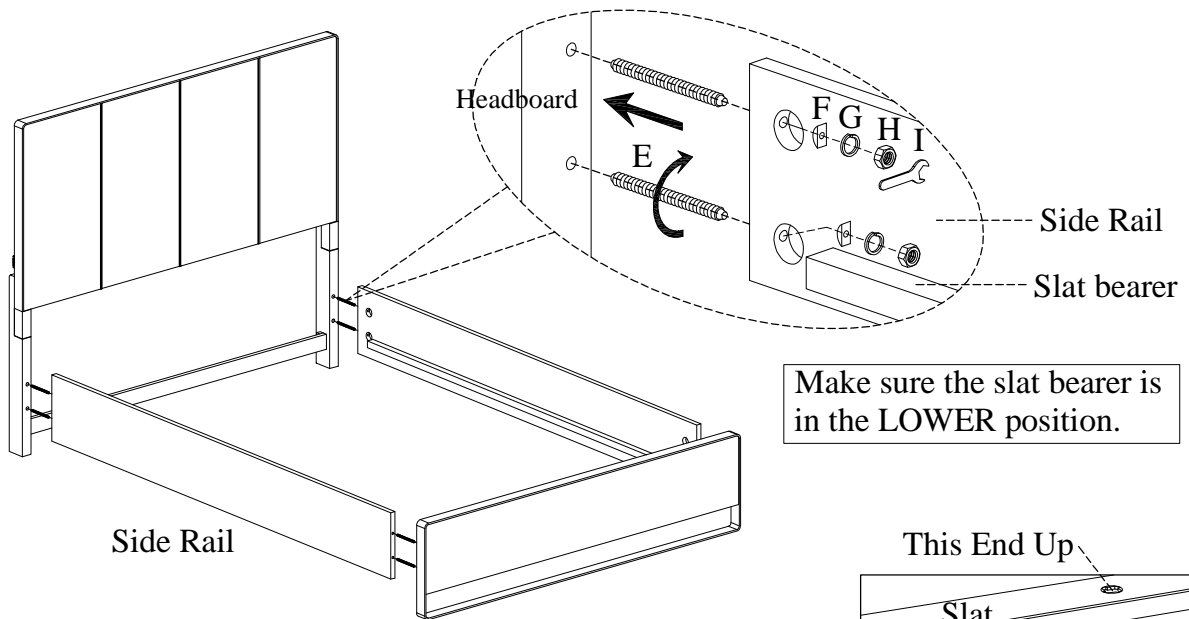




ITEM NO: I262-412 Queen Panel HB
 I262-402 Queen Rails
 I262-403 Queen Panel FB

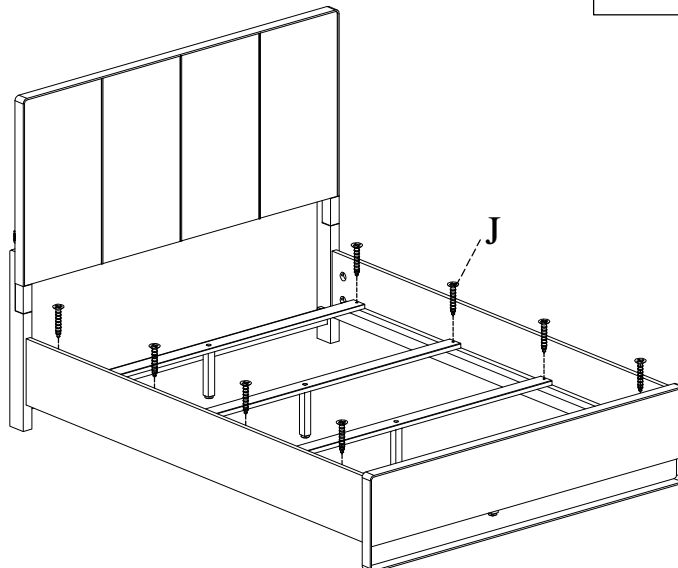
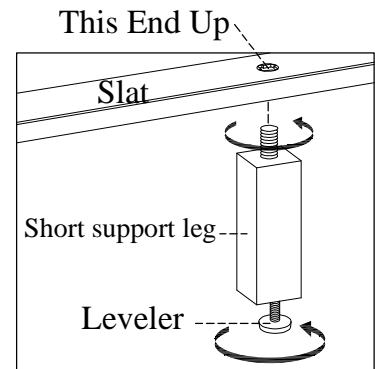
OPTION 2: The side rails may be used on either side. Arrange the side rails so the slat bearers are in LOWER POSITION prior to attachment in STEP 4.

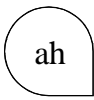
STEP 4: Screw the bolts(E) into HB & FB. Make sure the slat bearer is in the LOWER position. Align the bolts with the holes in the end of side rails and attach the side rails to HB & FB using half moon Washer(F) and hex nuts (G). Then use a hex wrench to tighten all the nuts.



STEP 5: Attach the short support legs with leveler to the slats. Adjust the levelers on bottom of short support legs when necessary.

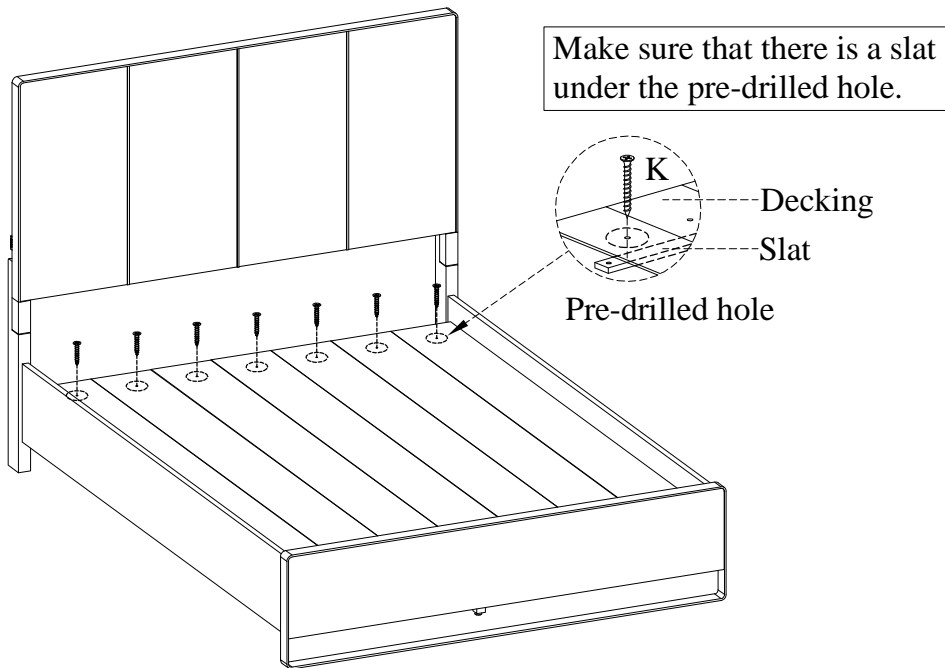
STEP 6: Arrange slats on the slat bearers and then lay the decking on top of the slats. Make sure the top and bottom slats are situated underneath the pre-drilled holes as shown in STEP 7. Remove the decking and attach slats to the slat bearers with wood screws (J).



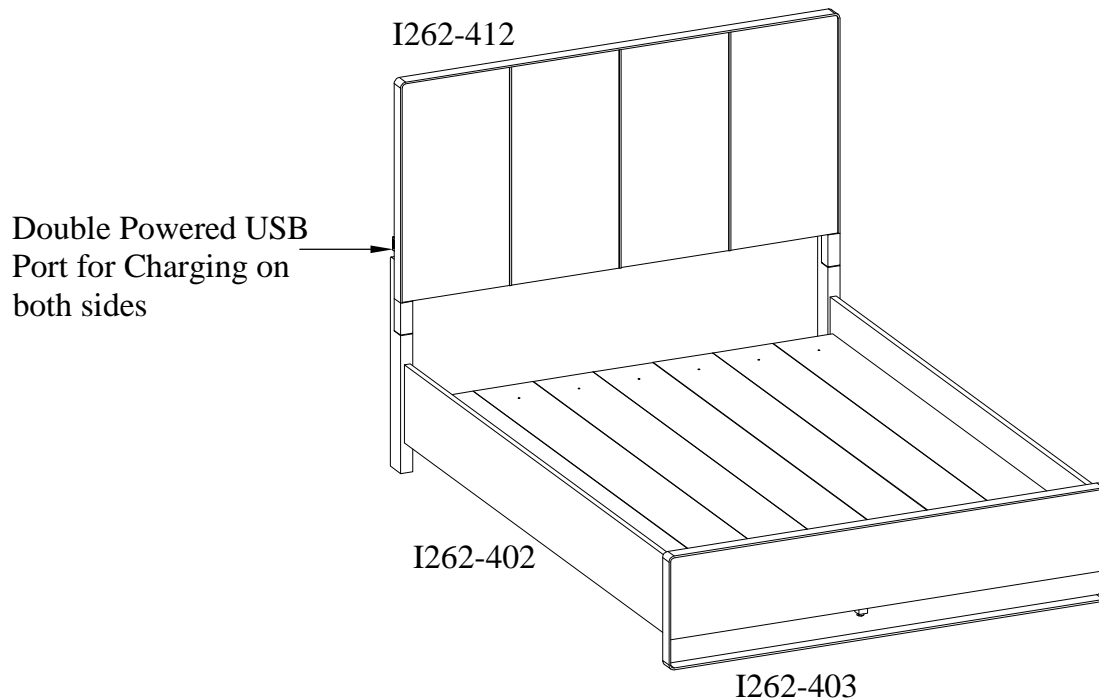


ITEM NO: I262-412 Queen Panel HB
I262-402 Queen Rails
I262-403 Queen Panel FB

STEP 7: Put the decking over the slats, secure decking to the slats with wood screws (K) through the pre-drilled holes in the decking as shown below.



FUNCTIONALITY INSTRUCTION



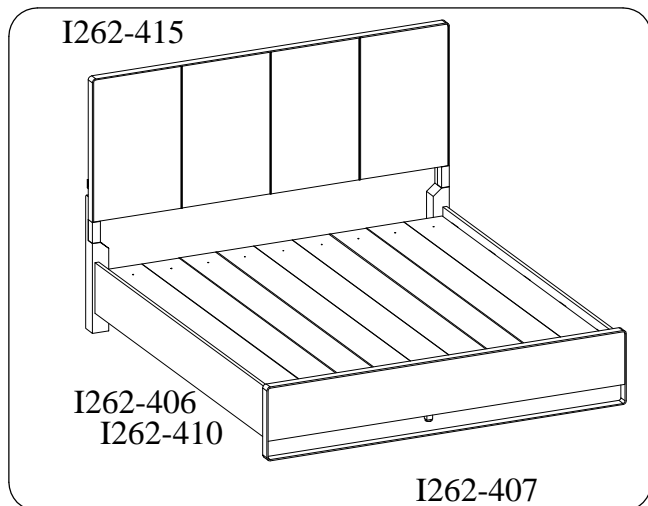


- ITEM NO: I262-415 King Panel HB
 I262-406 King Rails
 I262-410 Cal King Rails
 I262-407 King Panel FB

Thank you for purchasing this quality product. Be sure to check all packing material carefully for small parts that may come loose inside the carton during shipment.



UNIT SHOULD BE INSTALLED BY 2 OR MORE PERSONS.



All Beds need to be set up in the exact final location so that after full assembly it will not need to be moved. Moving the bed will cause the support legs to move out of perpendicular (90 degree), weaken the support system, and may allow the bed to collapse.

TOOLS REQUIRED (NOT PROVIDED)
PHILLIPS SCREWDRIVER

HARDWARE LIST: I262-415			
No.	Description	Sketch	Quantity
A	Bolt Ø5/16" x 1-3/4"		8 PCS
B	Lock Washer Ø5/16"		8 PCS
C	Flat Washer Ø5/16" x 3/4"		8 PCS
D	Allen Wrench 5mm		1 PC

COMPONENTS LIST: I262-415			
No.	Description	Sketch	Quantity
1	Headboard		1 PC
2	Left Leg		1 PC
3	Right Leg		1 PC
4	Wood Stretcher		1 PC

HARDWARE LIST: I262-406/410			
No.	Description	Sketch	Quantity
E	Hanger Bolt Ø5/16" x 3-1/2"		8 PCS
F	Half Moon Washer Ø5/16"		8 PCS
G	Lock Washer Ø5/16"		8 PCS
H	Hex Nut Ø5/16"		8 PCS
I	Hex Wrench 12mm		1 PC
J	Wood Screw #8 x 1"		10 PCS
K	Wood Screw #8 x 3/4"(only for-406)		9 PCS
L	Wood Cap (only for 410)		8 PCS
M	Wood Screw #8 x 3/4"(only for-410)		8 PCS

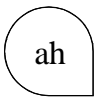
COMPONENTS LIST: I262-406			
No.	Description	Sketch	Quantity
1	Bed rails		2 PCS
2	Slats		5 PCS
3	Decking		9 PCS

COMPONENTS LIST: I262-410			
No.	Description	Sketch	Quantity
1	Bed rails		2 PCS
2	Slats		5 PCS
3	Decking		8 PCS

COMPONENTS LIST: I262-407			
No.	Description	Sketch	Quantity
1	Footboard		1 PC
2	Long Support Leg (for slats)		5 PCS
3	Short Support Leg (for slats)		5 PCS

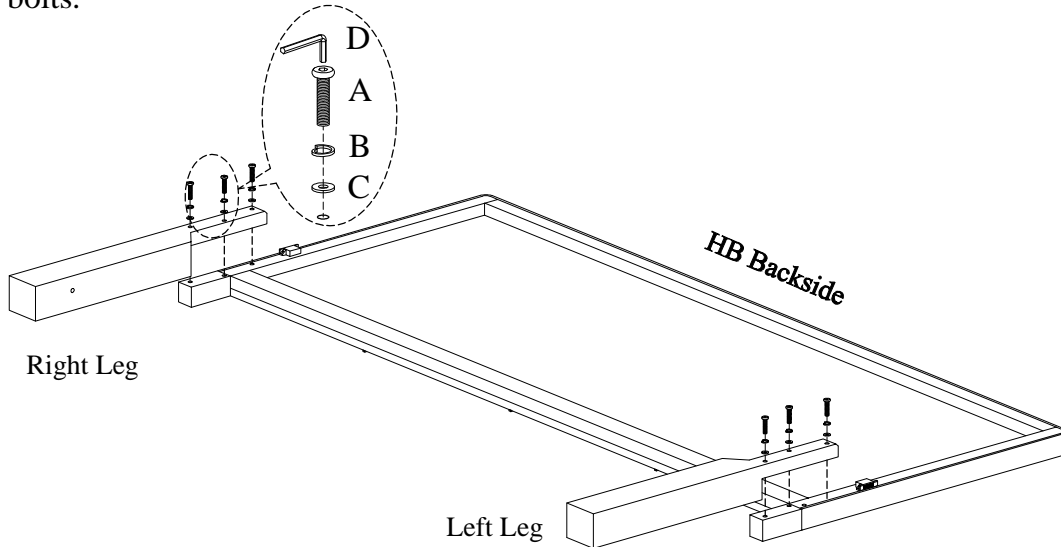
BEFORE USING THIS PRODUCT PLEASE READ, UNDERSTAND, AND FOLLOW THESE INSTRUCTIONS. Save these instructions for future reference.

FOR INDOOR USE ONLY

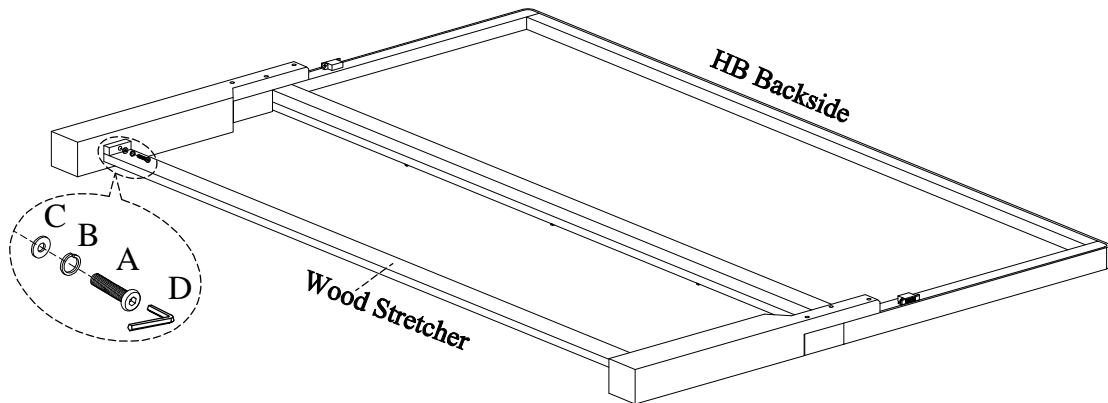


- ITEM NO: I262-415 King Panel HB
- I262-406 King Rails
- I262-410 Cal King Rails
- I262-407 King Panel FB

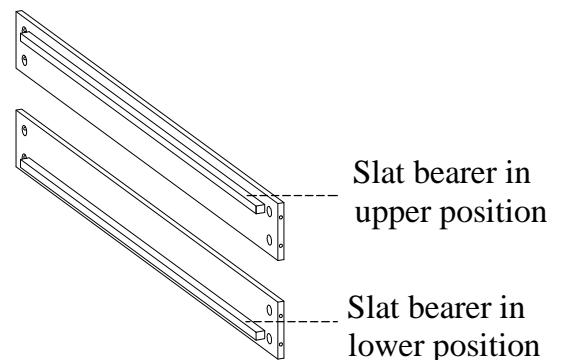
STEP 1: Lay the headboard face down on a soft surface. Attach the left leg and right leg to headboard by using 6 bolts(A), lock washers(B) and flat washers(C). Do not completely tighten bolts.



STEP 2: Attach the wood stretcher to left leg and right leg by using 2 bolts(A), lock washers(B) and flat washers(C). Completely tighten all bolts.



STEP 3: The side rails may be used on either side. Arrange the side rails so the slat bearers are in UPPER POSITION prior to attachment as OPTION 1 and the slat bearers are in LOWER POSITION prior to attachment as OPTION 2.

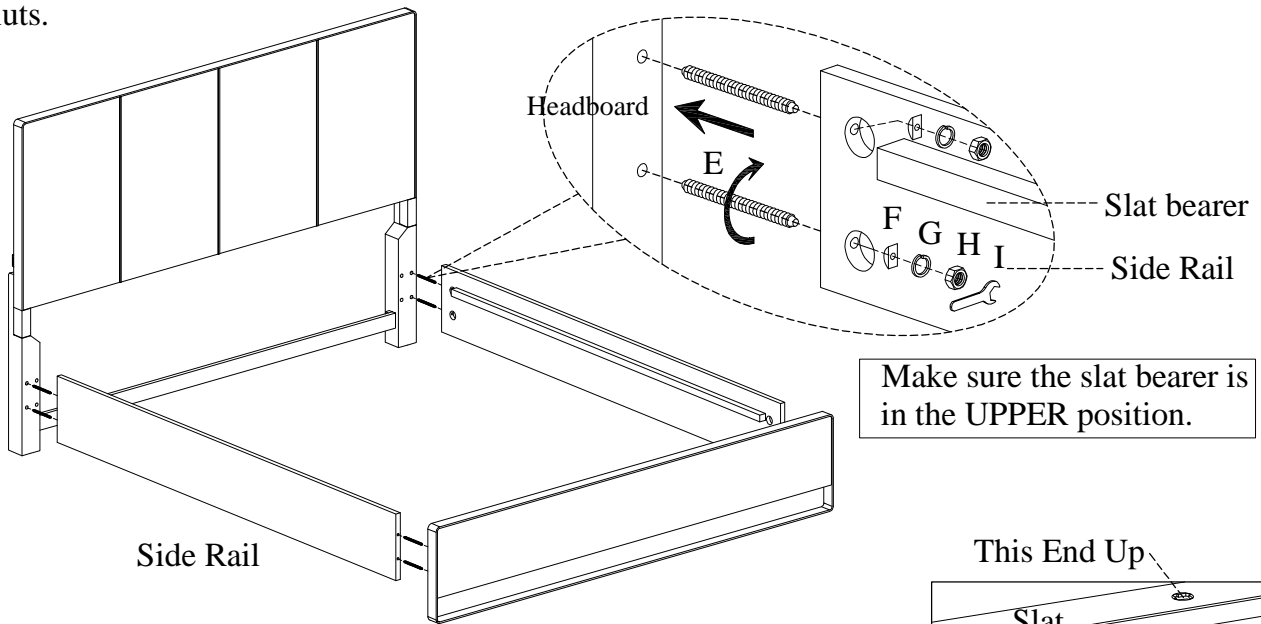




ITEM NO: I262-415 King Panel HB
 I262-406 King Rails
 I262-410 Cal King Rails
 I262-407 King Panel FB

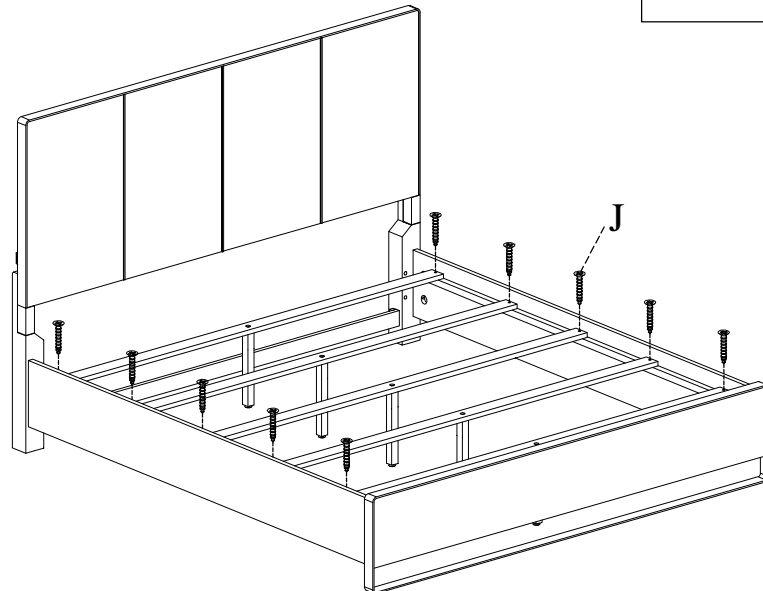
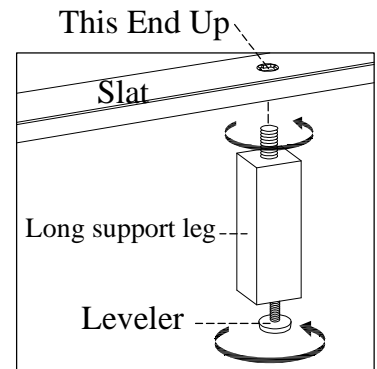
OPTION 1: The side rails may be used on either side. Arrange the side rails so the slat bearers are in UPPER POSITION prior to attachment in STEP 4.

STEP 4: Screw the bolts(E) into HB & FB. Make sure the slat bearer is in the UPPER position. Align the bolts with the holes in the end of side rails and attach the side rails to HB & FB using half moon Washer(F) lock washers(G) and hex nuts (H). Then use a hex wrench to tighten all the nuts.



STEP 5: Attach the long support legs with leveler to the slats. Adjust the levelers on bottom of long support legs when necessary.

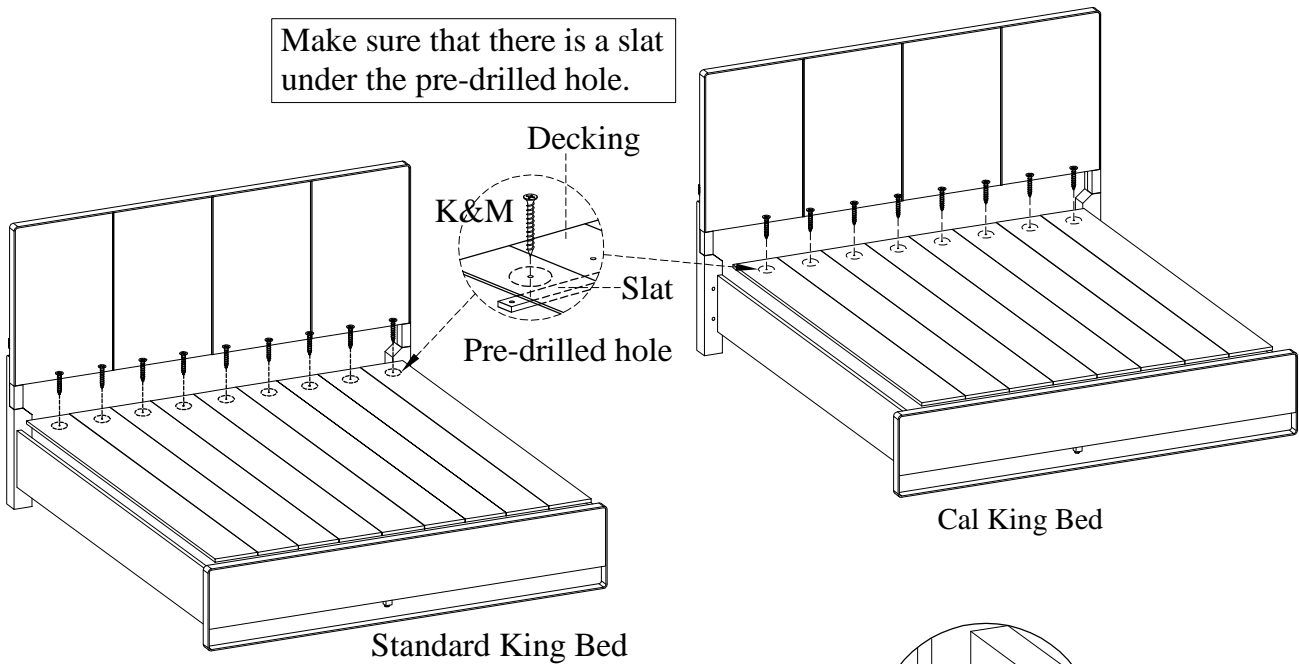
STEP 6: Arrange slats on the slat bearers and then lay the decking on top of the slats. Make sure the top and bottom slats are situated underneath the pre-drilled holes as shown in STEP 7. Remove the decking and attach slats to the slat bearers with wood screws (J).



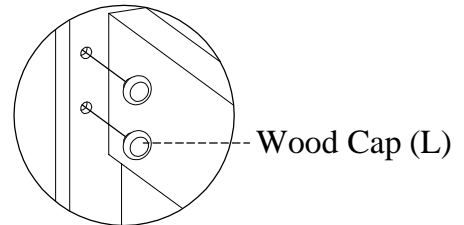


- ITEM NO: I262-415 King Panel HB
- I262-406 King Rails
- I262-410 Cal King Rails
- I262-407 King Panel FB

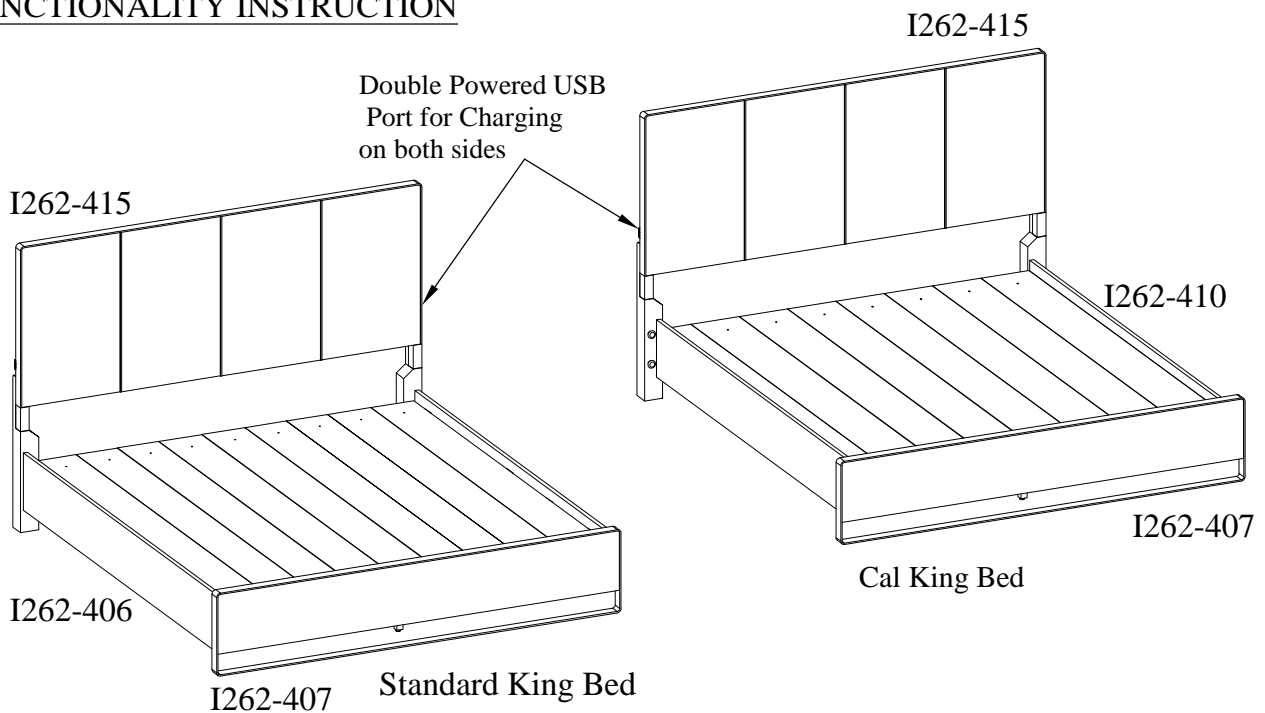
STEP 7: Put the decking over the slats, secure decking to the slats with wood screws (K&M) through the pre-drilled holes in the decking as shown below.



STEP 8: For Cal King bed, insert wood caps into the holes on headboard and footboard. For regular King bed, skip this step.



FUNCTIONALITY INSTRUCTION

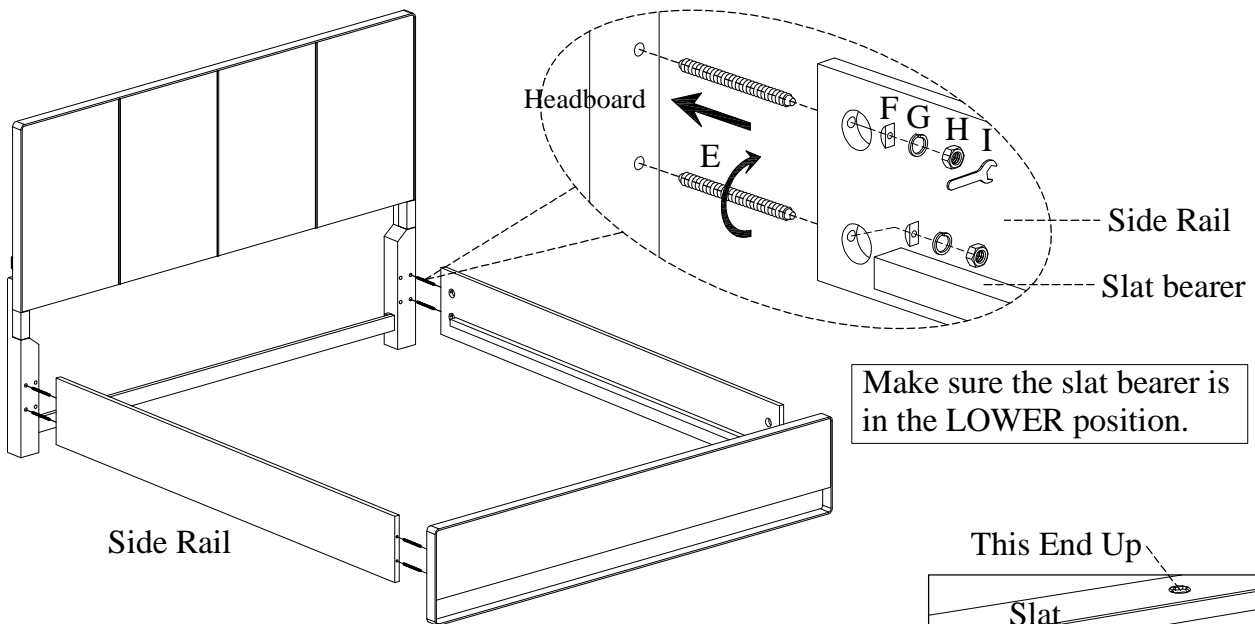




- ITEM NO: I262-415 King Panel HB
 I262-406 King Rails
 I262-410 Cal King Rails
 I262-407 King Panel FB

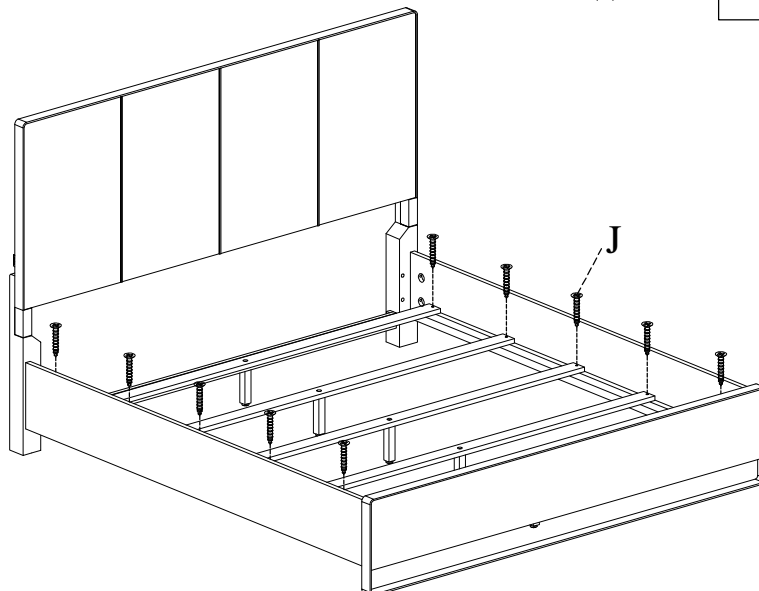
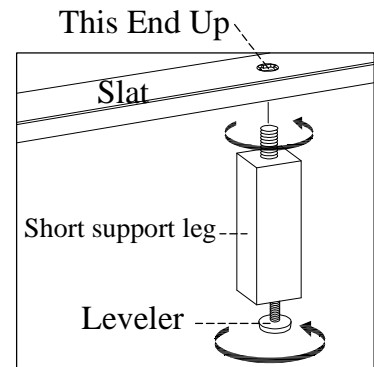
OPTION 2: The side rails may be used on either side. Arrange the side rails so the slat bearers are in LOWER POSITION prior to attachment in STEP 4.

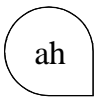
STEP 4: Screw the bolts(E) into HB & FB. Make sure the slat bearer is in the LOWER position. Align the bolts with the holes in the end of side rails and attach the side rails to HB & FB using half moon Washer(F) and hex nuts (G). Then use a hex wrench to tighten all the nuts.



STEP 5: Attach the short support legs with leveler to the slats. Adjust the levelers on bottom of short support legs when necessary.

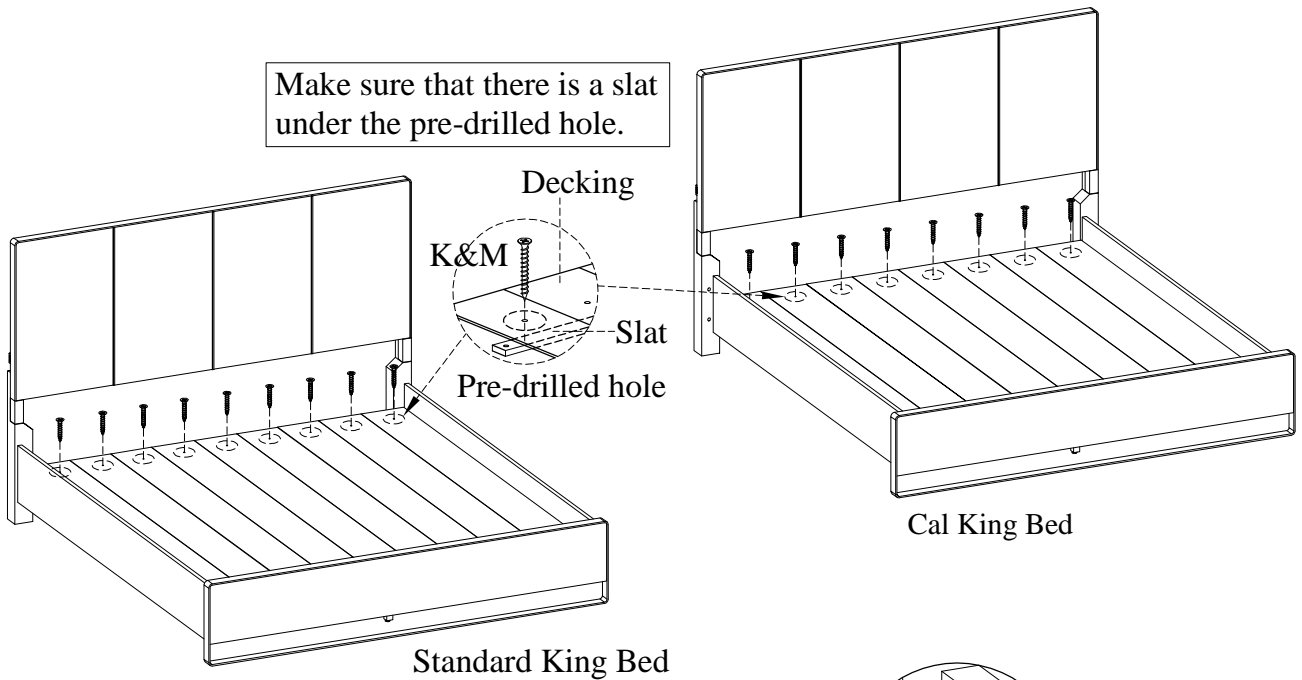
STEP 6: Arrange slats on the slat bearers and then lay the decking on top of the slats. Make sure the top and bottom slats are situated underneath the pre-drilled holes as shown in STEP 7. Remove the decking and attach slats to the slat bearers with wood screws (J).



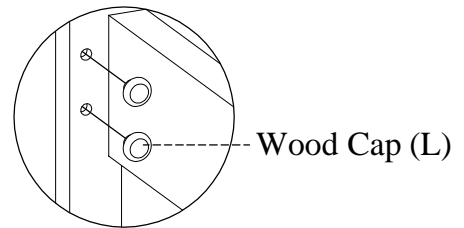


- ITEM NO: I262-415 King Panel HB
- I262-406 King Rails
- I262-410 Cal King Rails
- I262-407 King Panel FB

STEP 7: Put the decking over the slats, secure decking to the slats with wood screws (K&M) through the pre-drilled holes in the decking as shown below.



STEP 8: For Cal King bed, insert wood caps into the holes on headboard and footboard. For regular King bed, skip this step.



FUNCTIONALITY INSTRUCTION

