

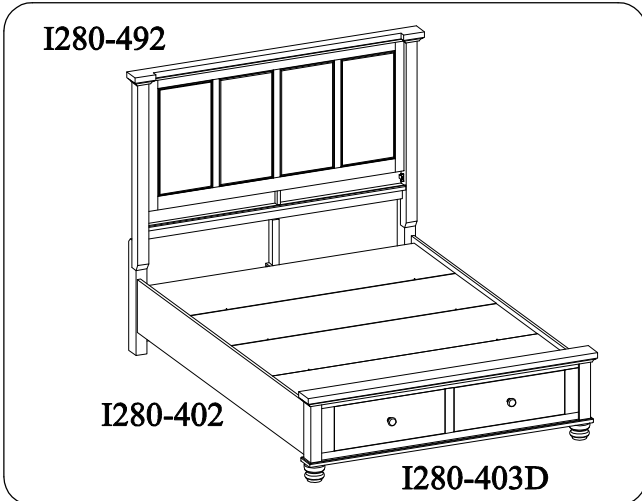


ITEM NO: I280-492 Queen Panel HB
 I280-402 Queen Rails
 I280-403D Queen Storage FB w/ Decking

Thank you for purchasing this quality product. Be sure to check all packing material carefully for small parts that may come loose inside the carton during shipment.



UNIT SHOULD BE INSTALLED BY 2 OR MORE PERSONS.



All Beds need to be set up in the exact final location so that after full assembly it will not need to be moved. Moving the bed will cause the support legs to move out of perpendicular (90 degree), weaken the support system, and may allow the bed to collapse.

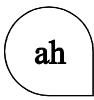
TOOLS REQUIRED (NOT PROVIDED)
PHILLIPS SCREWDRIVER

HARDWARE LIST: I280-492			
No.	Description	Sketch	Quantity
A	Bolt Ø5/16" x 1-9/16"		6 PCS
B	Bolt Ø5/16" x 2-1/4"		8 PCS
C	Lock Washer Ø5/16"		14 PCS
D	Flat Washer Ø5/16" x 3/4"		14 PCS
E	Allen Wrench 5mm		1 PC
HARDWARE LIST: I280-402			
No.	Description	Sketch	Quantity
F	Hanger Bolt Ø5/16" x 3-1/8"		8 PCS
G	Lock Washer Ø5/16"		8 PCS
H	Flat Washer Ø5/16" x 5/8"		8 PCS
I	Hex Nut Ø5/16"		8 PCS
J	Hex Wrench		1 PC
K	Wood Screw M4 x 1-3/16"		8 PCS
HARDWARE LIST: I280-403D			
No.	Description	Sketch	Quantity
L	Bolt Ø5/16" x 1-3/16"		8 PCS
M	Lock Washer Ø5/16"		8 PCS
N	Flat Washer Ø5/16" x 3/4"		8 PCS
O	Allen Wrench 5mm		1 PC
P	Wood Screw M4 x 1"		8 PCS

COMPONENTS LIST: I280-492			
No.	Description	Sketch	Quantity
1	Headboard		1 PC
2	Left leg		1 PC
3	Right leg		1 PC
4	Wood stretcher		1 PC
5	Center support leg		1 PC
COMPONENTS LIST: I280-402			
No.	Description	Sketch	Quantity
1	Bed rails		2 PCS
2	Slats		4 PCS
COMPONENTS LIST: I280-403D			
No.	Description	Sketch	Quantity
1	Footboard		1 PC
2	Support leg (for center rail)		2 PCS
3	Support leg (for pedestal)		3 PCS
4	Decking		4 PCS
5	Center rail		1 PC
6	Bun foot		2 PCS

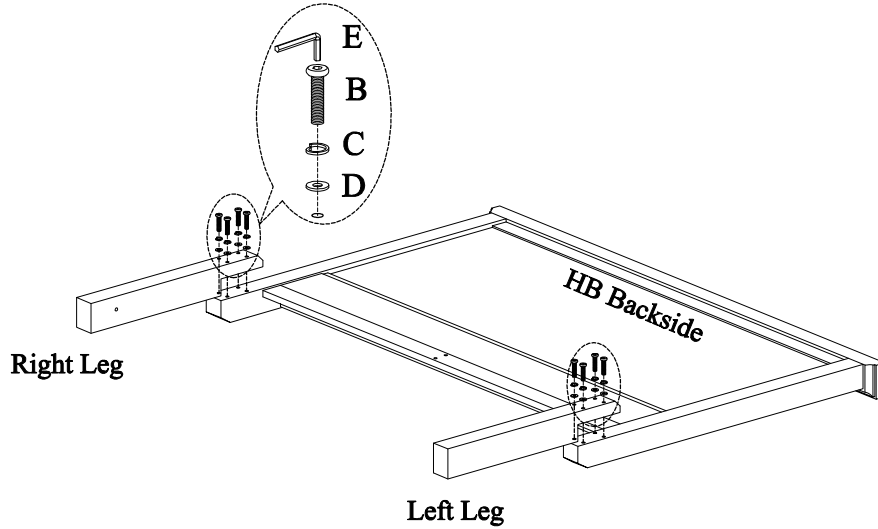
BEFORE USING THIS PRODUCT PLEASE READ, UNDERSTAND, AND FOLLOW THESE INSTRUCTIONS.
 Save these instructions for future reference.

FOR INDOOR USE ONLY

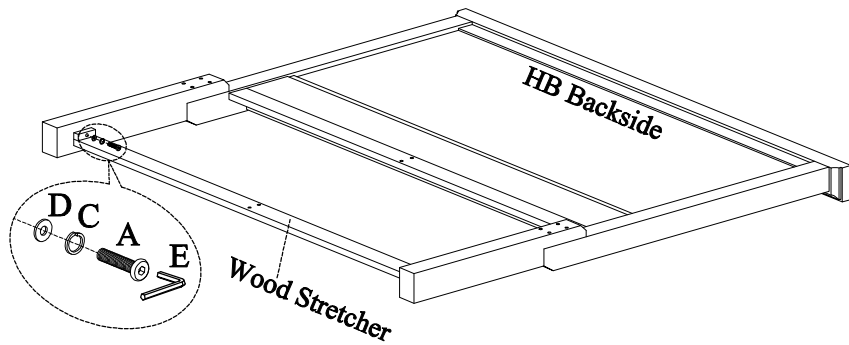


ITEM NO: I280-492 Queen Panel HB
 I280-402 Queen Rails
 I280-403D Queen Storage FB w/ Decking

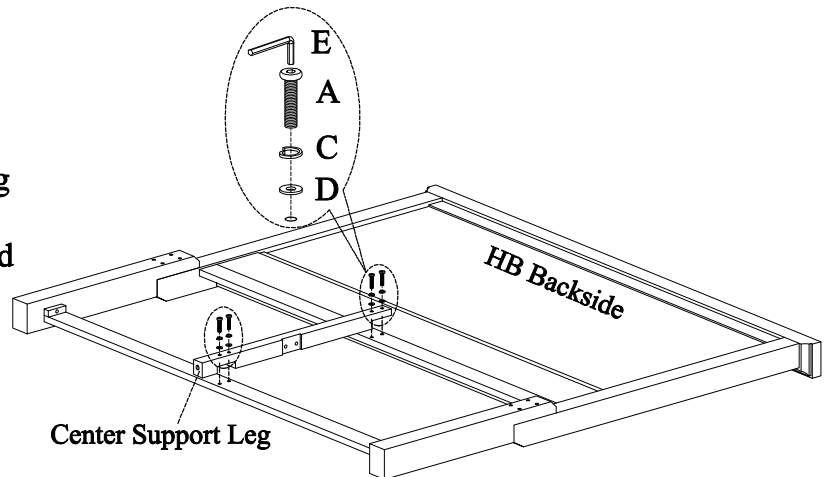
STEP 1: Lay the headboard face down on a soft surface. Attach the left leg and right leg to headboard by using 8 bolts(B), lock washers(C) and flat washers(D).

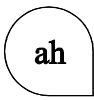


STEP 2: Attach the wood stretcher to the legs by using 2 bolts(A), lock washers(C) and flat washers(D).



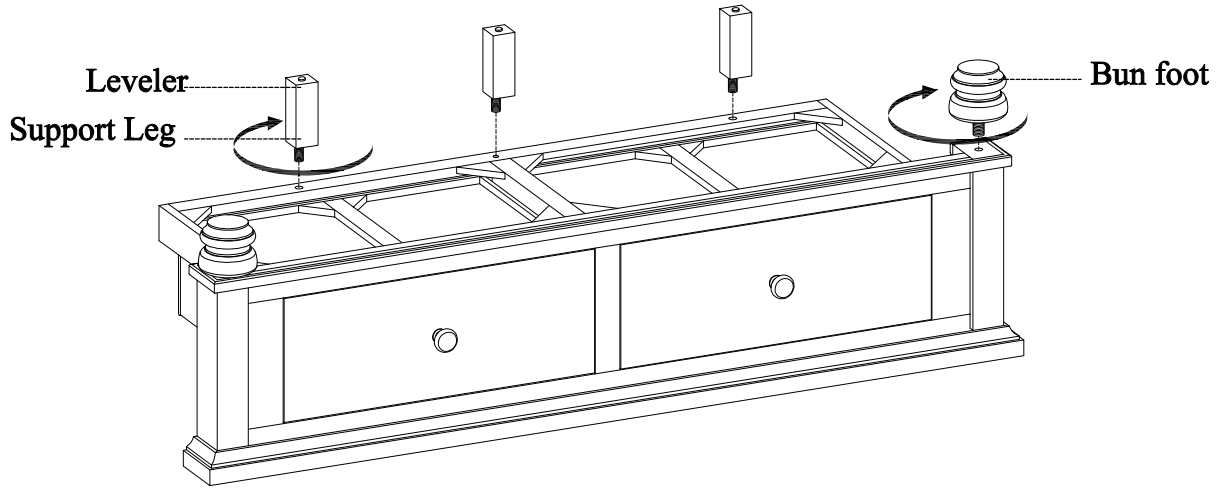
STEP 3: Attach the center support leg to headboard and wood stretcher by using 4 bolts(A), lock washers(C) and flat washers(D).



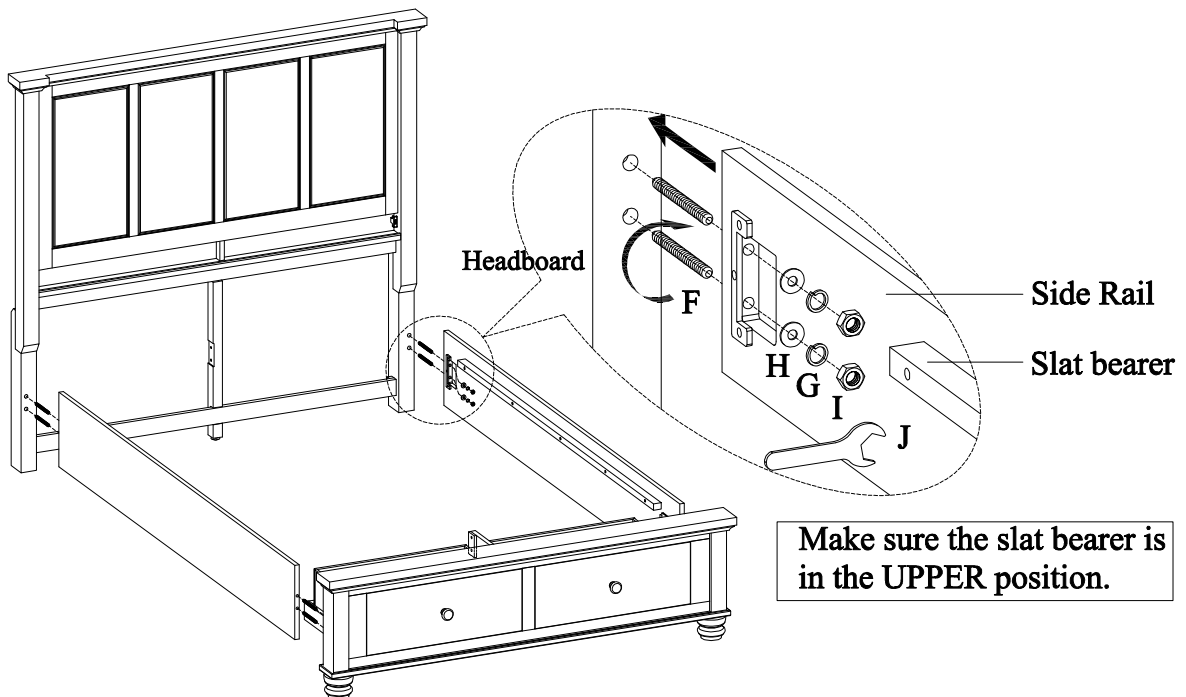


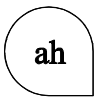
ITEM NO: I280-492 Queen Panel HB
 I280-402 Queen Rails
 I280-403D Queen Storage FB w/ Decking

STEP 4: Put footboard upside down on a padded, clean surface. Attach support legs (for pedestal) and bun feet to footboard. Turn footboard right side up.



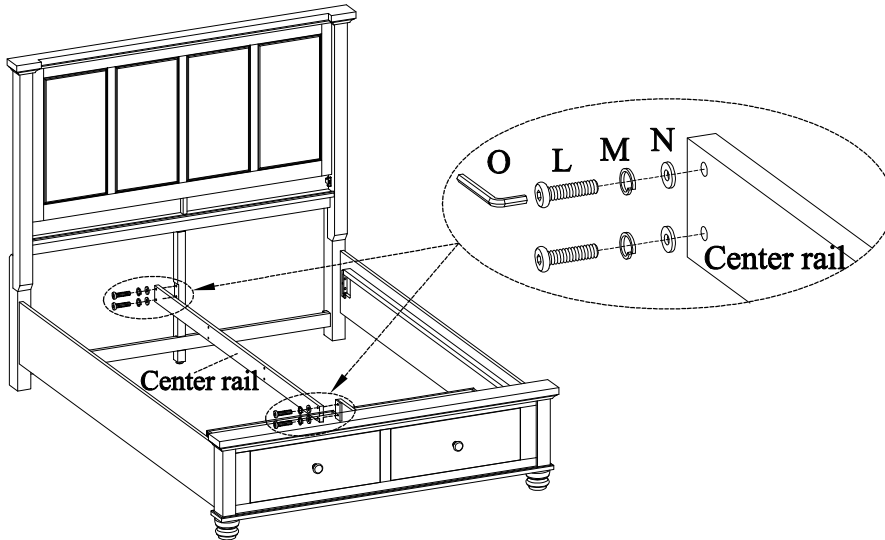
STEP 5: Screw the bolts(F) into HB & FB. Make sure the slat bearer is in the UPPER position. Align the bolts with the holes in the end of side rails and attach the side rails to HB & FB using flat washer(H), lock washers(G) and nuts (I). Then use a hex wrench(J) to tighten all the nuts.



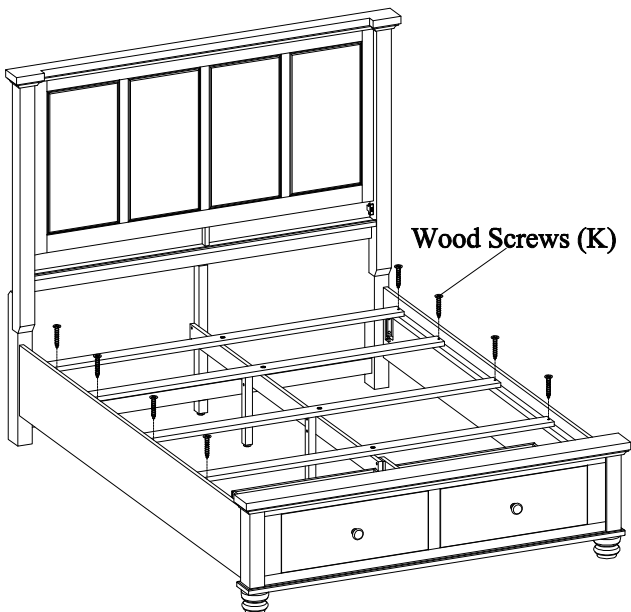
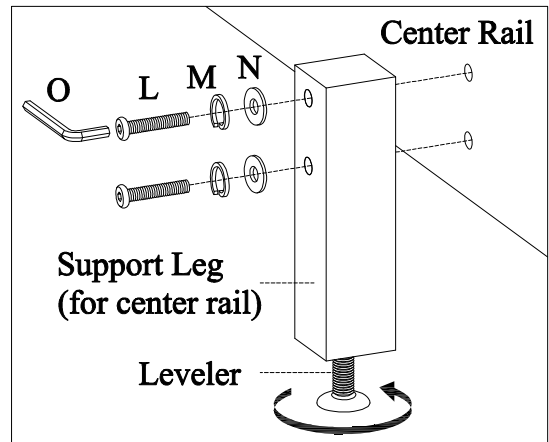


ITEM NO: I280-492 Queen Panel HB
 I280-402 Queen Rails
 I280-403D Queen Storage FB w/ Decking

STEP 6: Attach center rail to the footboard and center support leg of headboard using 4 bolts(L), lock washers(M) and flat washers(N).



STEP 7: Attach 2 support legs (for center rail) to the center rail using 4 bolts(L), lock washers(M) and flat washers(N). Use the Allen Wrench (O) to tighten all of the bolts.

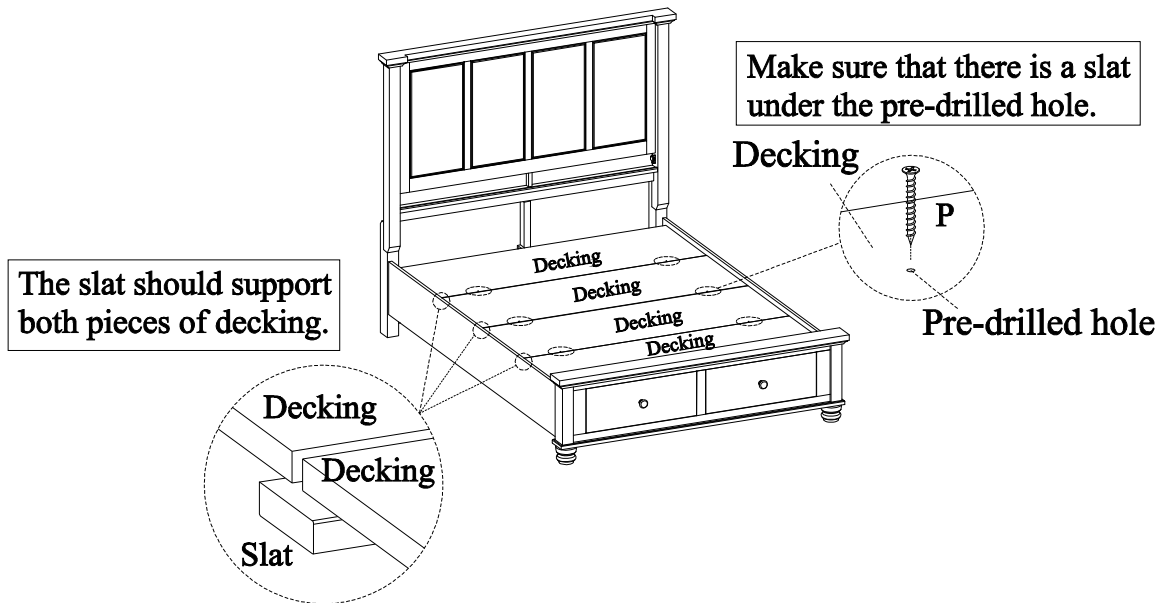


STEP 8: Arrange slats on the slat bearers and then lay decking on top of the slats. Make sure the slats are positioned along the seams of the decking as shown in the detail in STEP 9 under the pre-drilled hole. Remove the decking and attach slats to the slat bearers with wood screws (K).

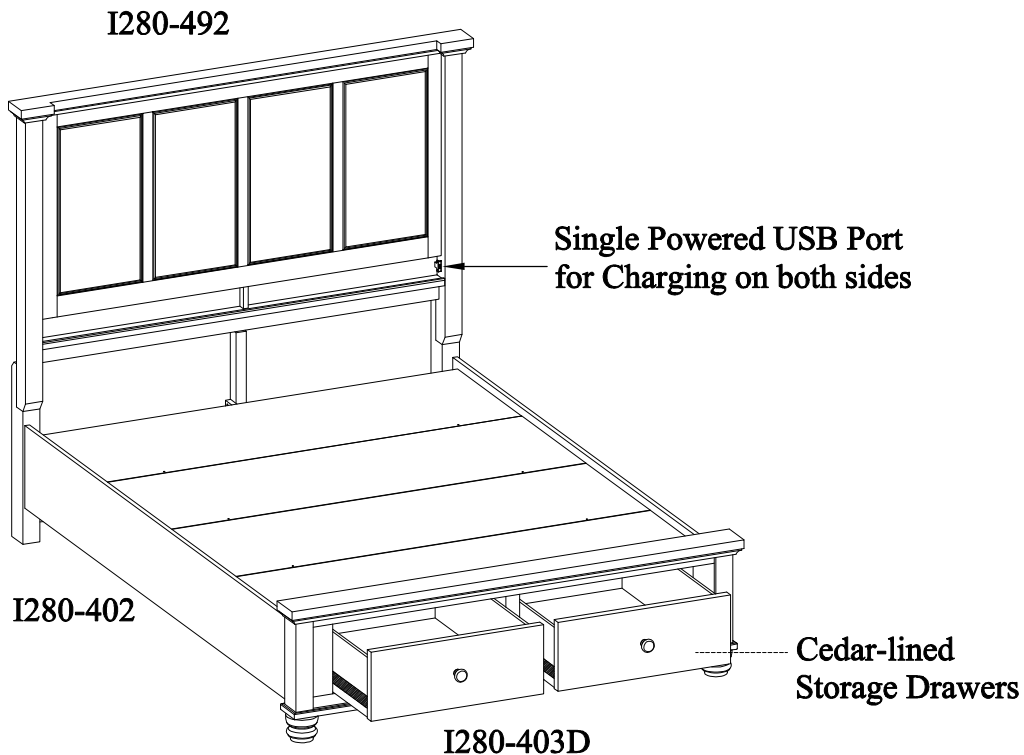


ITEM NO: I280-492 Queen Panel HB
 I280-402 Queen Rails
 I280-403D Queen Storage FB w/ Decking

STEP 9: Put the decking over the slats, secure decking to the slats with wood screws (P) through the pre-drilled holes in the decking as shown below.



FUNCTIONALITY INSTRUCTION



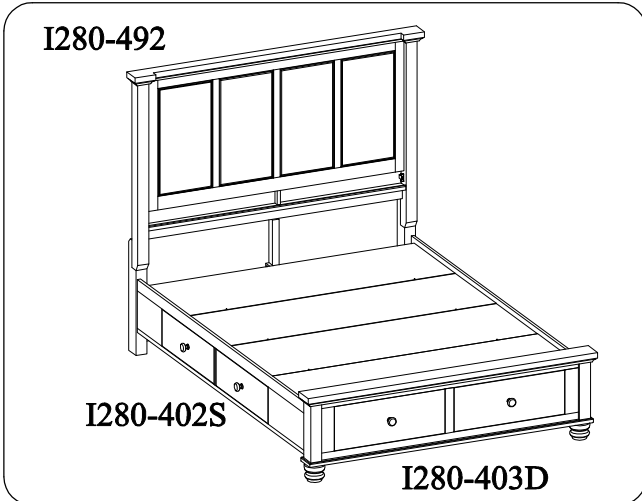


ITEM NO: I280-492 Queen Panel HB
 I280-402S Queen Side Storage Rails
 I280-403D Queen Storage FB w/ Decking

Thank you for purchasing this quality product. Be sure to check all packing material carefully for small parts that may come loose inside the carton during shipment.



UNIT SHOULD BE INSTALLED BY 2 OR MORE PERSONS.



All Beds need to be set up in the exact final location so that after full assembly it will not need to be moved. Moving the bed will cause the support legs to move out of perpendicular (90 degree), weaken the support system, and may allow the bed to collapse.

TOOLS REQUIRED (NOT PROVIDED)
PHILLIPS SCREWDRIVER

HARDWARE LIST: I280-492

No.	Description	Sketch	Quantity
A	Bolt Ø5/16" x 1-9/16"		6 PCS
B	Bolt Ø5/16" x 2-1/4"		8 PCS
C	Lock Washer Ø5/16"		14 PCS
D	Flat Washer Ø5/16" x 3/4"		14 PCS
E	Allen Wrench 5mm		1 PC

HARDWARE LIST: I280-402S

No.	Description	Sketch	Quantity
F	Hanger Bolt Ø5/16" x 3-1/8"		8 PCS
G	Lock Washer Ø5/16"		8 PCS
H	Flat Washer Ø5/16" x 5/8"		8 PCS
I	Hex Nut Ø5/16"		8 PCS
J	Hex Wrench		1 PC
K	Wood Screw M4 x 1-3/16"		12 PCS

HARDWARE LIST: I280-403D

No.	Description	Sketch	Quantity
L	Bolt Ø5/16" x 1-3/16"		8 PCS
M	Lock Washer Ø5/16"		8 PCS
N	Flat Washer Ø5/16" x 3/4"		8 PCS
O	Allen Wrench 5mm		1 PC
P	Wood Screw M4 x 1"		8 PCS

COMPONENTS LIST: I280-492

No.	Description	Sketch	Quantity
1	Headboard		1 PC
2	Left leg		1 PC
3	Right leg		1 PC
4	Wood stretcher		1 PC
5	Center support leg		1 PC

COMPONENTS LIST: I280-402S

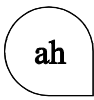
No.	Description	Sketch	Quantity
1	Left side storage rail		1 PC
2	Right side storage rail		1 PC
3	Slats		4 PCS
4	Support leg (for side storage rail)		6 PCS
5	Stretcher		1 PC

COMPONENTS LIST: I280-403D

No.	Description	Sketch	Quantity
1	Footboard		1 PC
2	Support leg (for center rail)		2 PCS
3	Support leg (for pedestal)		3 PCS
4	Decking		4 PCS
5	Center rail		1 PC
6	Bun foot		2 PCS

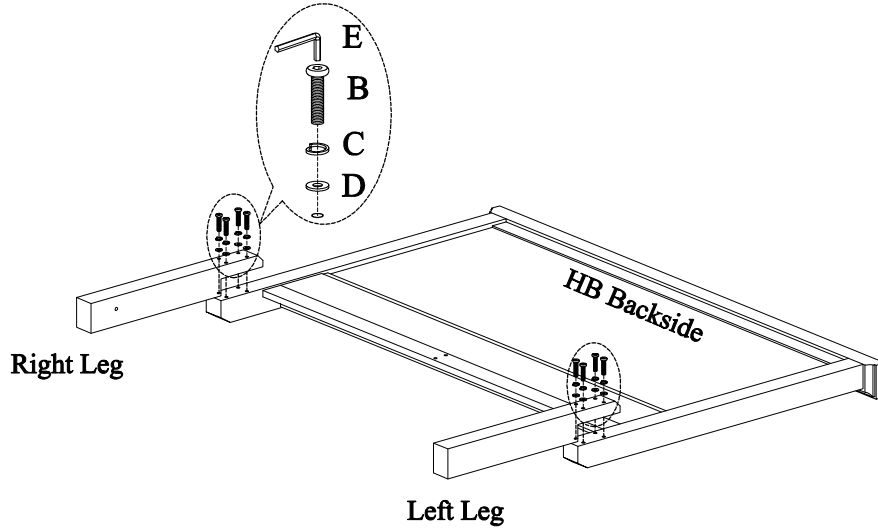
BEFORE USING THIS PRODUCT PLEASE READ, UNDERSTAND, AND FOLLOW THESE INSTRUCTIONS.
 Save these instructions for future reference.

FOR INDOOR USE ONLY

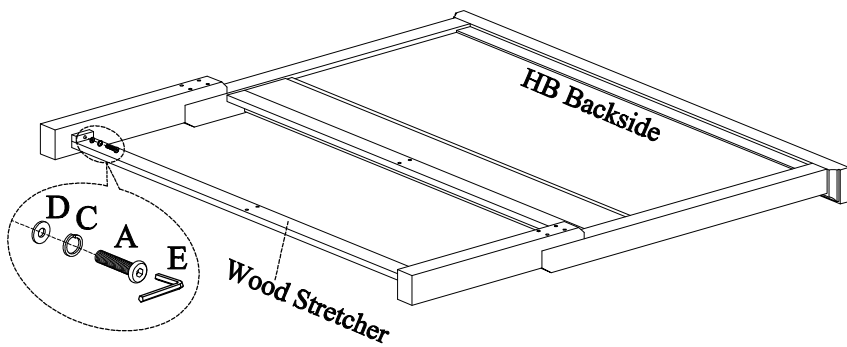


ITEM NO: I280-492 Queen Panel HB
 I280-402S Queen Side Storage Rails
 I280-403D Queen Storage FB w/ Decking

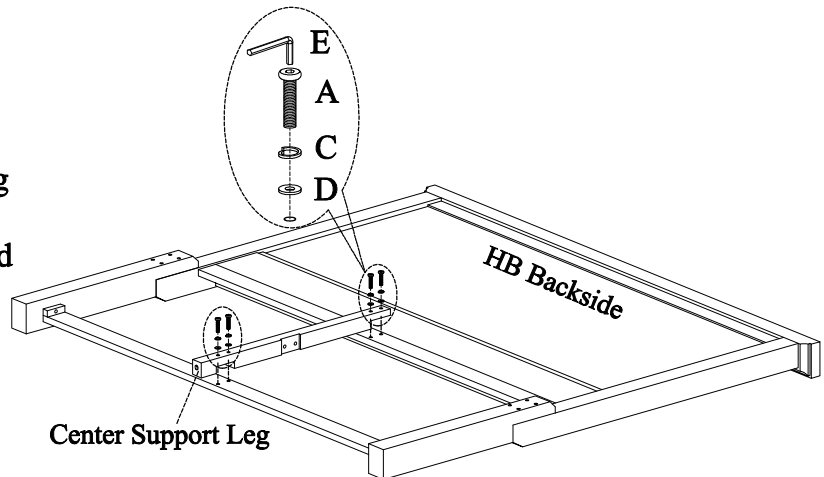
STEP 1: Lay the headboard face down on a soft surface. Attach the left leg and right leg to headboard by using 8 bolts(B), lock washers(C) and flat washers(D).

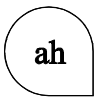


STEP 2: Attach the wood stretcher to the legs by using 2 bolts(A), lock washers(C) and flat washers(D).



STEP 3: Attach the center support leg to headboard and wood stretcher by using 4 bolts(A), lock washers(C) and flat washers(D).

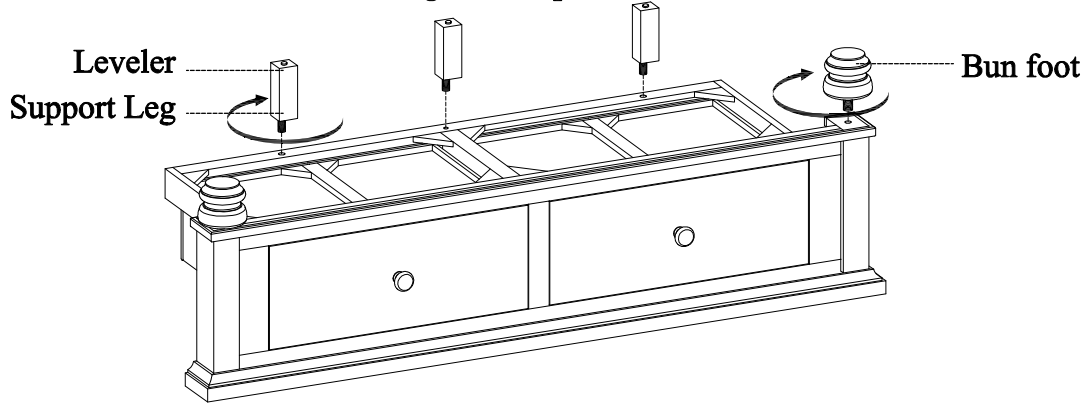




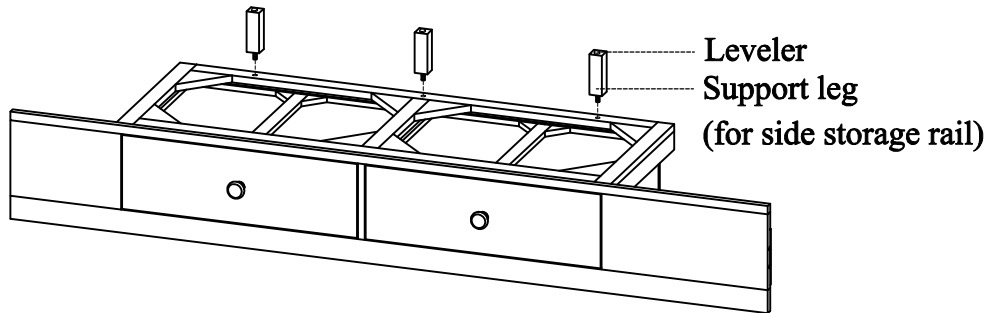
ITEM NO: I280-492
I280-402S
I280-403D

Queen Panel HB
Queen Side Storage Rails
Queen Storage FB w/ Decking

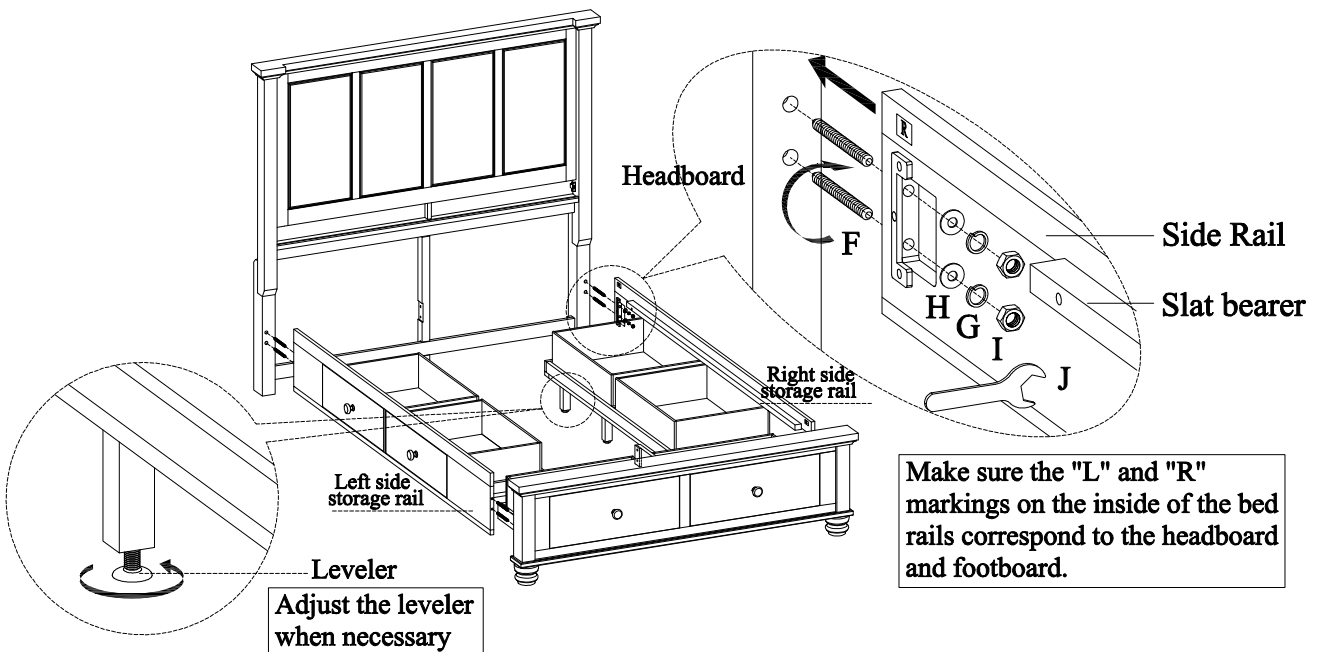
STEP 4: Put footboard upside down on a padded, clean surface. Attach support legs (for pedestal) and bun feet to footboard. Turn footboard right side up.

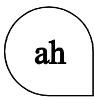


STEP 5: Put side storage rails upside down on a padded, clean surface. Attach support legs (for side storage rail) to footboard. Turn side storage rails right side up.



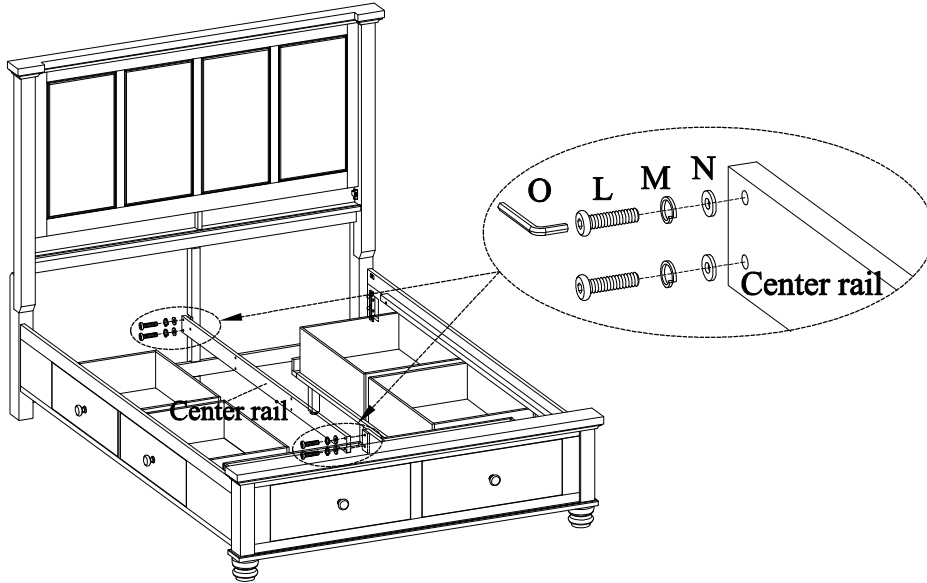
STEP 6: Screw the bolts(F) into HB & FB. Make sure the "L" and "R" markings on the inside of the bed storage rails correspond to the headboard and footboard. Align the bolts with the holes in the end of side rails and attach the side rails to HB & FB using flat washer(H), lock washers(G) and nuts (I). Then use a hex wrench(J) to tighten all the nuts.



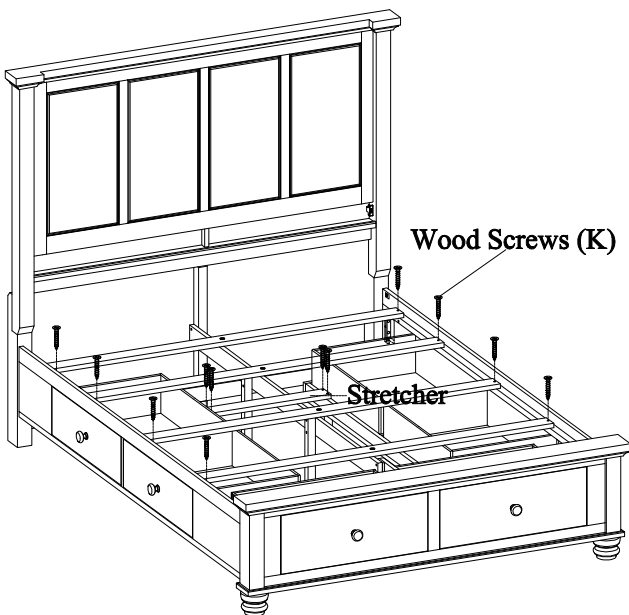
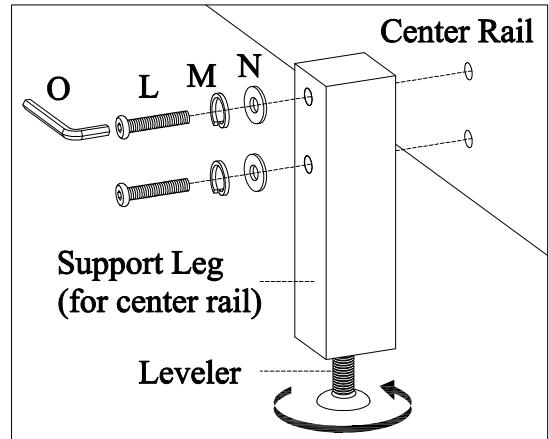


ITEM NO: I280-492 Queen Panel HB
 I280-402S Queen Side Storage Rails
 I280-403D Queen Storage FB w/ Decking

STEP 7: Attach center rail to the footboard and center support leg of headboard using 4 bolts(L), lock washers(M) and flat washers(N).



STEP 8: Attach 2 support legs (for center rail) to the center rail using 4 bolts(L), lock washers(M) and flat washers(N). Use the Allen Wrench (O) to tighten all of the bolts.

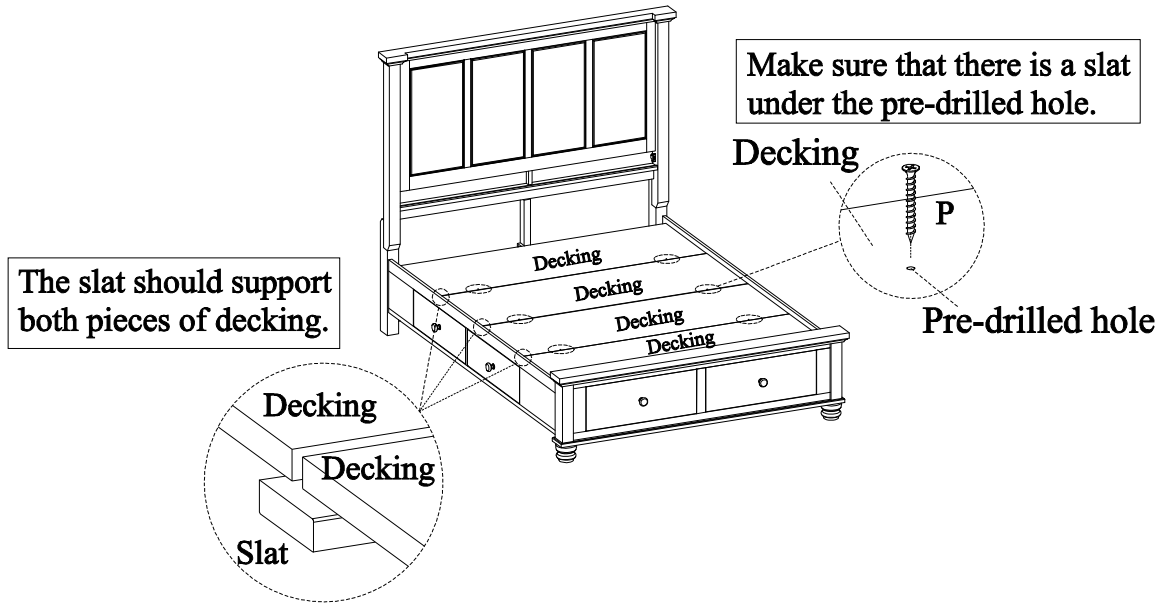


STEP 9: Attach the stretcher to side storage rails on both sides and Arrange slats on the slat bearers and then lay decking on top of the slats. Make sure the slats are positioned along the seams of the decking as shown in the detail in STEP 10 under the pre-drilled hole. Remove the decking and attach slats to the slat bearers with wood screws (K).

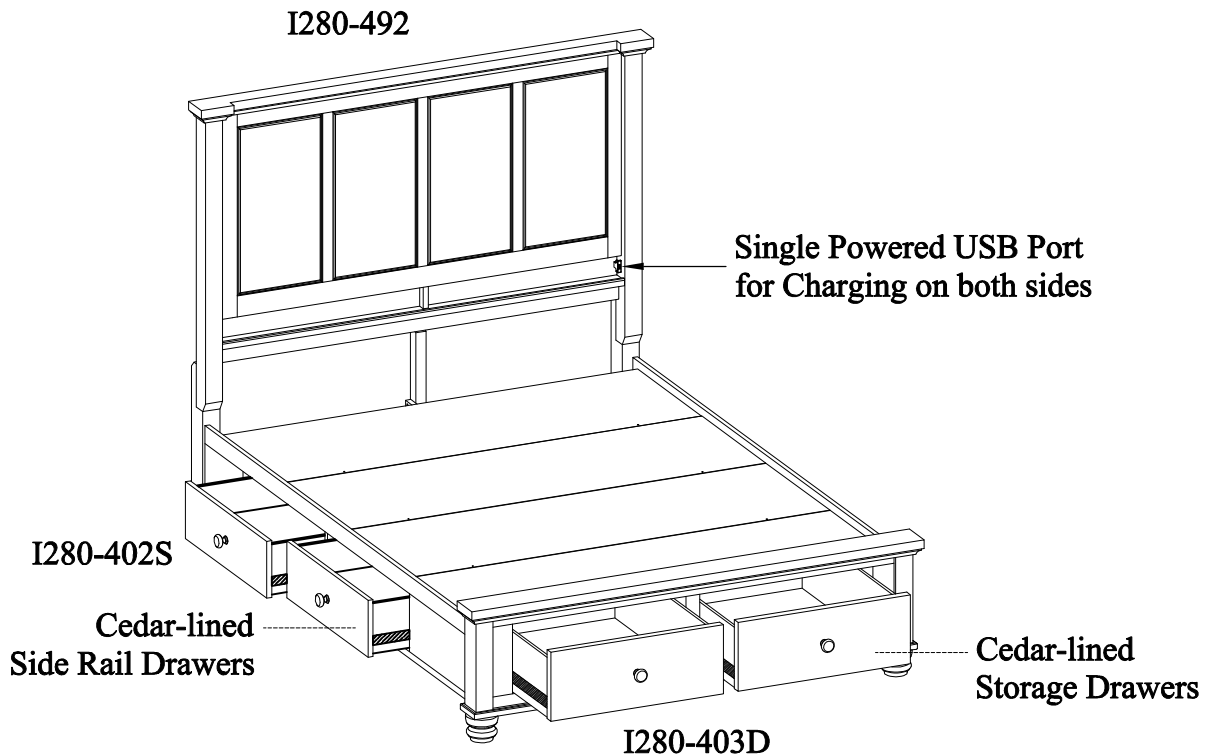


ITEM NO: I280-492 Queen Panel HB
 I280-402S Queen Side Storage Rails
 I280-403D Queen Storage FB w/ Decking

STEP 10: Put the decking over the slats, secure decking to the slats with wood screws (P) through the pre-drilled holes in the decking as shown below.



FUNCTIONALITY INSTRUCTION



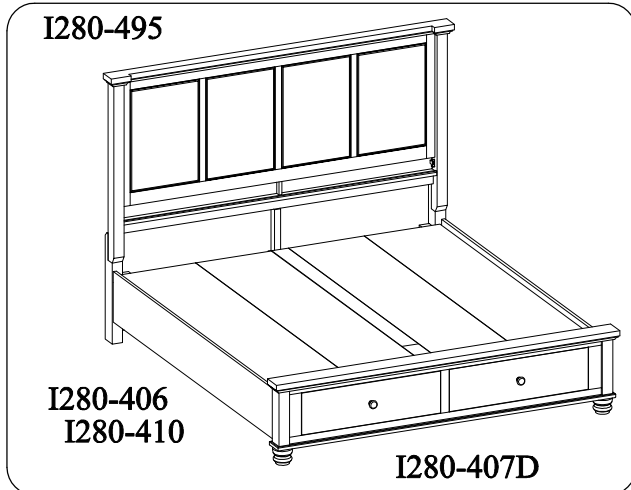


- ITEM NO: I280-495 King Panel HB
 I280-406 King Rails
 I280-410 Cal King Rails
 I280-407D King Storage FB w/ Decking

Thank you for purchasing this quality product. Be sure to check all packing material carefully for small parts that may come loose inside the carton during shipment.



UNIT SHOULD BE INSTALLED BY 2 OR MORE PERSONS.



All Beds need to be set up in the exact final location so that after full assembly it will not need to be moved. Moving the bed will cause the support legs to move out of perpendicular (90 degree), weaken the support system, and may allow the bed to collapse.

TOOLS REQUIRED (NOT PROVIDED)
PHILLIPS SCREWDRIVER

COMPONENTS LIST: I280-495

No.	Description	Sketch	Quantity
1	Headboard		1 PC
2	Left leg		1 PC
3	Right leg		1 PC
4	Wood stretcher		1 PC
5	Center support leg		1 PC

COMPONENTS LIST: I280-406

No.	Description	Sketch	Quantity
1	Bed rails		2 PCS
2	Slats		5 PCS

COMPONENTS LIST: I280-410

No.	Description	Sketch	Quantity
1	Bed rails		2 PCS
2	Slats		5 PCS
3	Center rail (Long)		1 PC

COMPONENTS LIST: I280-407D

No.	Description	Sketch	Quantity
1	Footboard		1 PC
2	Support leg (for center rail)		2 PCS
3	Support leg (for pedestal)		3 PCS
4	Decking		4 PCS
5	Center rail (Short)		1 PC
6	Filler		1 PC
7	Bun foot		2 PCS

HARDWARE LIST: I280-495

No.	Description	Sketch	Quantity
A	Bolt Ø5/16" x 1-9/16"		6 PCS
B	Bolt Ø5/16" x 2-1/4"		8 PCS
C	Lock Washer Ø5/16"		14 PCS
D	Flat Washer Ø5/16" x 3/4"		14 PCS
E	Allen Wrench 5mm		1 PC

HARDWARE LIST: I280-406/410

No.	Description	Sketch	Quantity
F	Hanger Bolt Ø5/16" x 3-1/8"		8 PCS
G	Lock Washer Ø5/16"		8 PCS
H	Flat Washer Ø5/16" x 5/8"		8 PCS
I	Hex Nut Ø5/16"		8 PCS
J	Hex Wrench		1 PC
K	Wood Screw M4 x 1-3/16"		10 PCS
L	Wood Cap (only for 410)		8 PCS

HARDWARE LIST: I280-407D

No.	Description	Sketch	Quantity
M	Bolt Ø5/16" x 1-3/16"		8 PCS
N	Lock Washer Ø5/16"		8 PCS
O	Flat Washer Ø5/16" x 3/4"		8 PCS
P	Allen Wrench 5mm		1 PC
Q	Wood Screw M4 x 1"		6 PCS

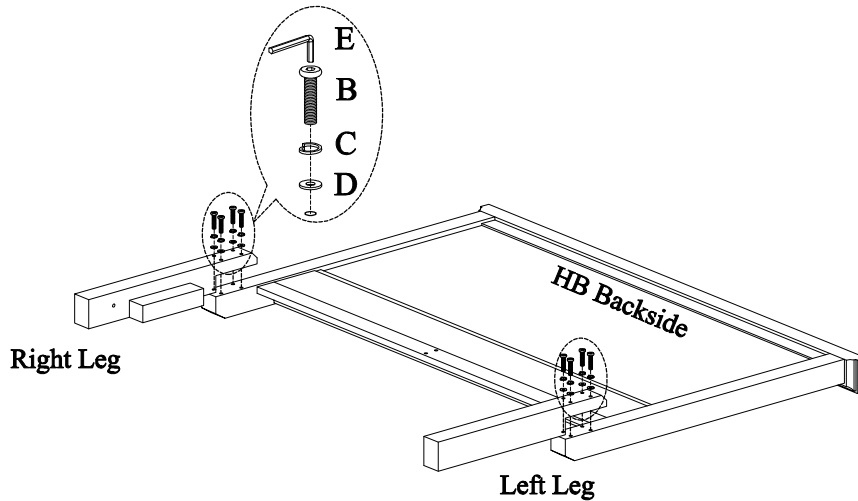
BEFORE USING THIS PRODUCT PLEASE READ, UNDERSTAND, AND FOLLOW THESE INSTRUCTIONS. Save these instructions for future reference.

FOR INDOOR USE ONLY

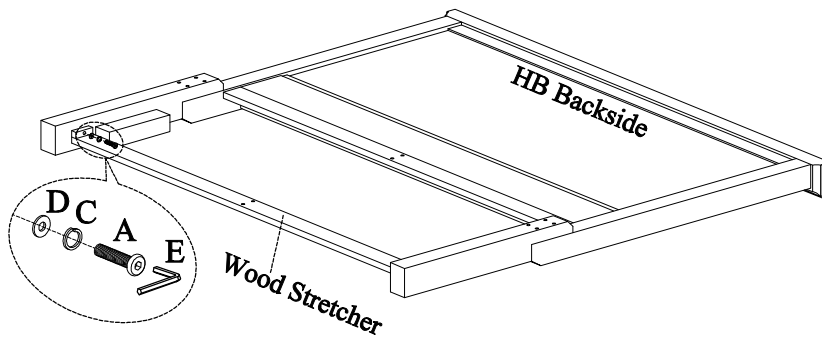


ITEM NO: I280-495 King Panel HB
 I280-406 King Rails
 I280-410 Cal King Rails
 I280-407D King Storage FB w/ Decking

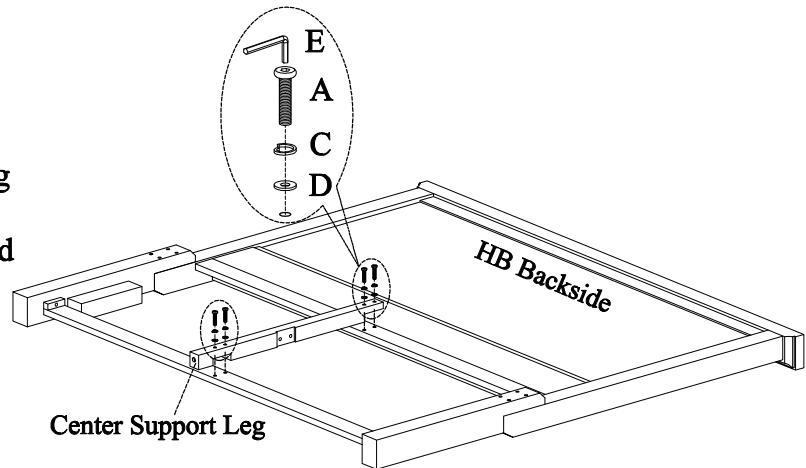
STEP 1: Lay the headboard face down on a soft surface. Attach the left leg and right leg to headboard by using 8 bolts(B), lock washers(C) and flat washers(D).



STEP 2: Attach the wood stretcher to the legs by using 2 bolts(A), lock washers(C) and flat washers(D).



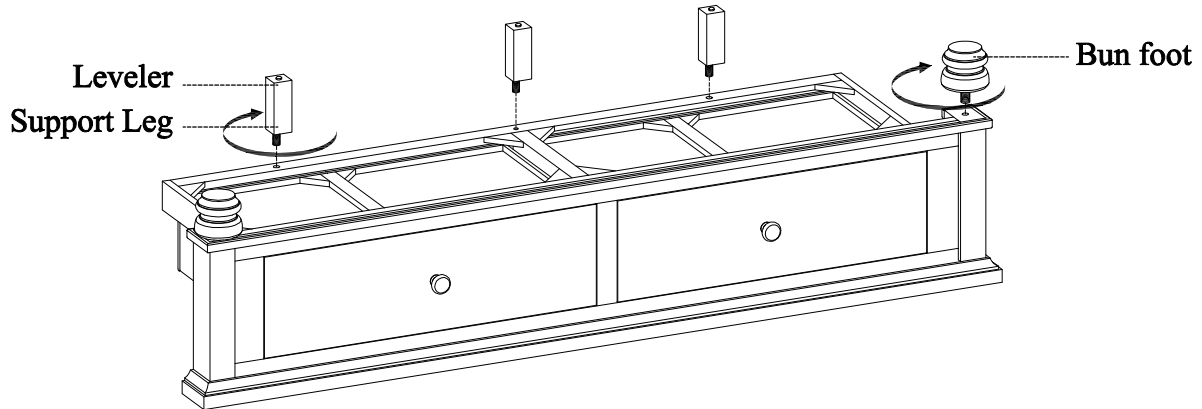
STEP 3: Attach the center support leg to headboard and wood stretcher by using 4 bolts(A), lock washers(C) and flat washers(D).



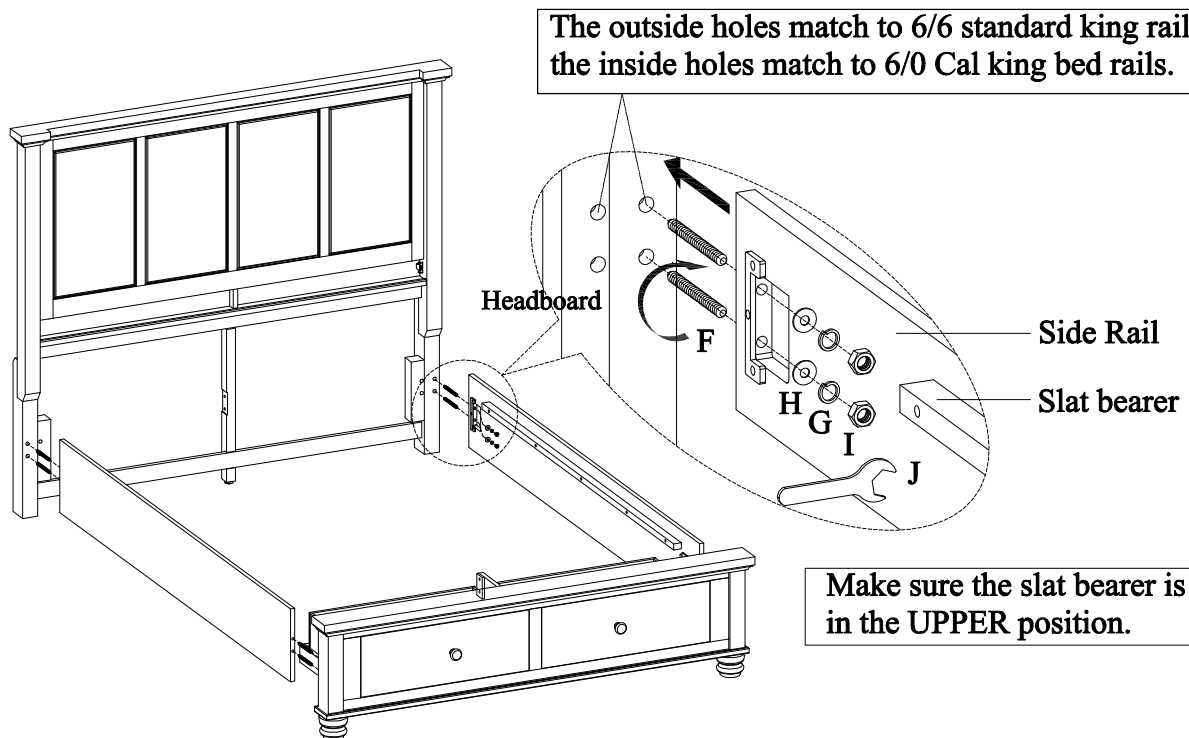


- | | |
|-------------------|----------------------------|
| ITEM NO: I280-495 | King Panel HB |
| I280-406 | King Rails |
| I280-410 | Cal King Rails |
| I280-407D | King Storage FB w/ Decking |

STEP 4: Put footboard upside down on a padded, clean surface. Attach support legs (for pedestal) and bun feet to footboard. Turn footboard right side up.



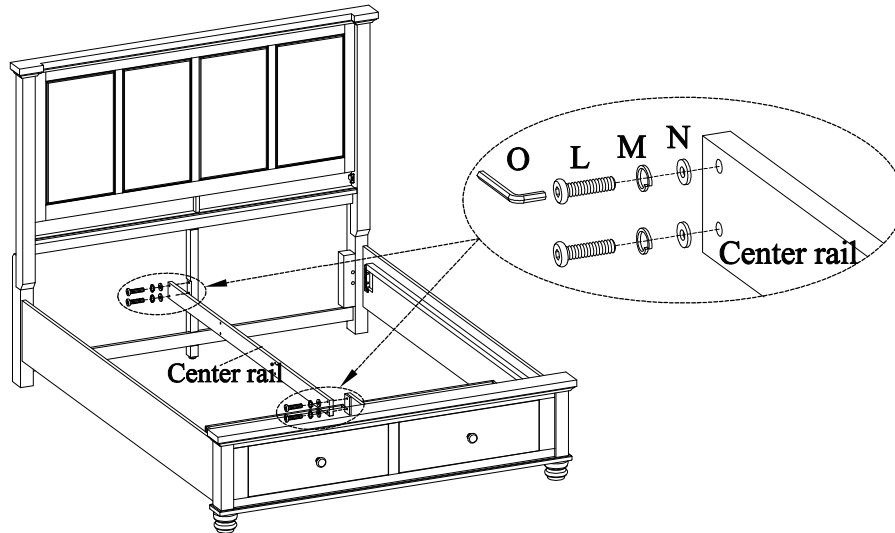
STEP 5: Screw the bolts(F) into HB & FB. Make sure the slat bearer is in the UPPER position. Align the bolts with the holes in the end of side rails and attach the side rails to HB & FB using flat washer(H), lock washers(G) and nuts (I). Then use a hex wrench(J) to tighten all the nuts.



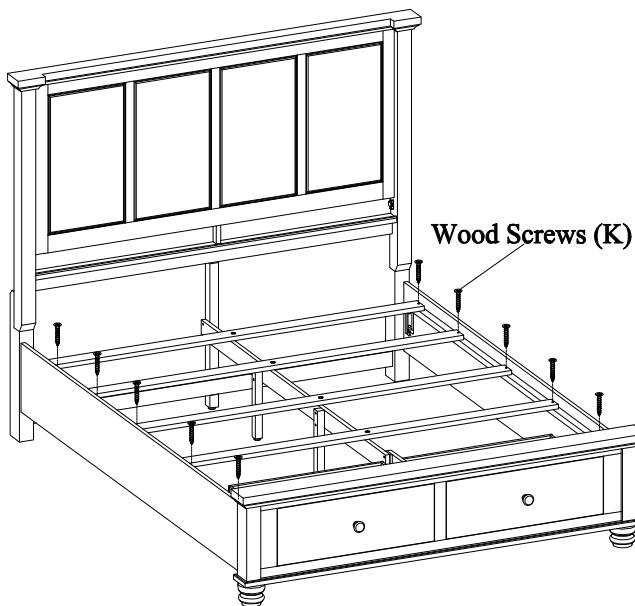
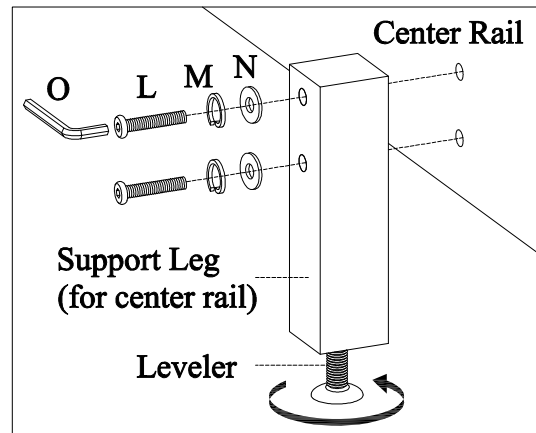


- ITEM NO: I280-495 King Panel HB
 I280-406 King Rails
 I280-410 Cal King Rails
 I280-407D King Storage FB w/ Decking

STEP 6: Attach center rail to the footboard and center support leg of headboard using 4 bolts(L), lock washers(M) and flat washers(N).



STEP 7: Attach 2 support legs (for center rail) to the center rail using 4 bolts(L), lock washers(M) and flat washers(N). Use the Allen Wrench (O) to tighten all of the bolts.

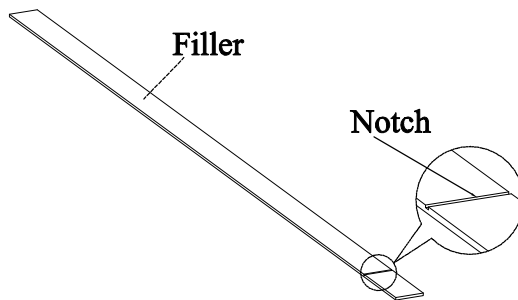


STEP 8: Arrange slats on the slat bearers and then lay the decking on top of the slats. Make sure the top and bottom slats are situated underneath the pre-drilled holes as shown below in STEP 10. Remove the decking and attach slats to the slat bearers with wood screws (K).

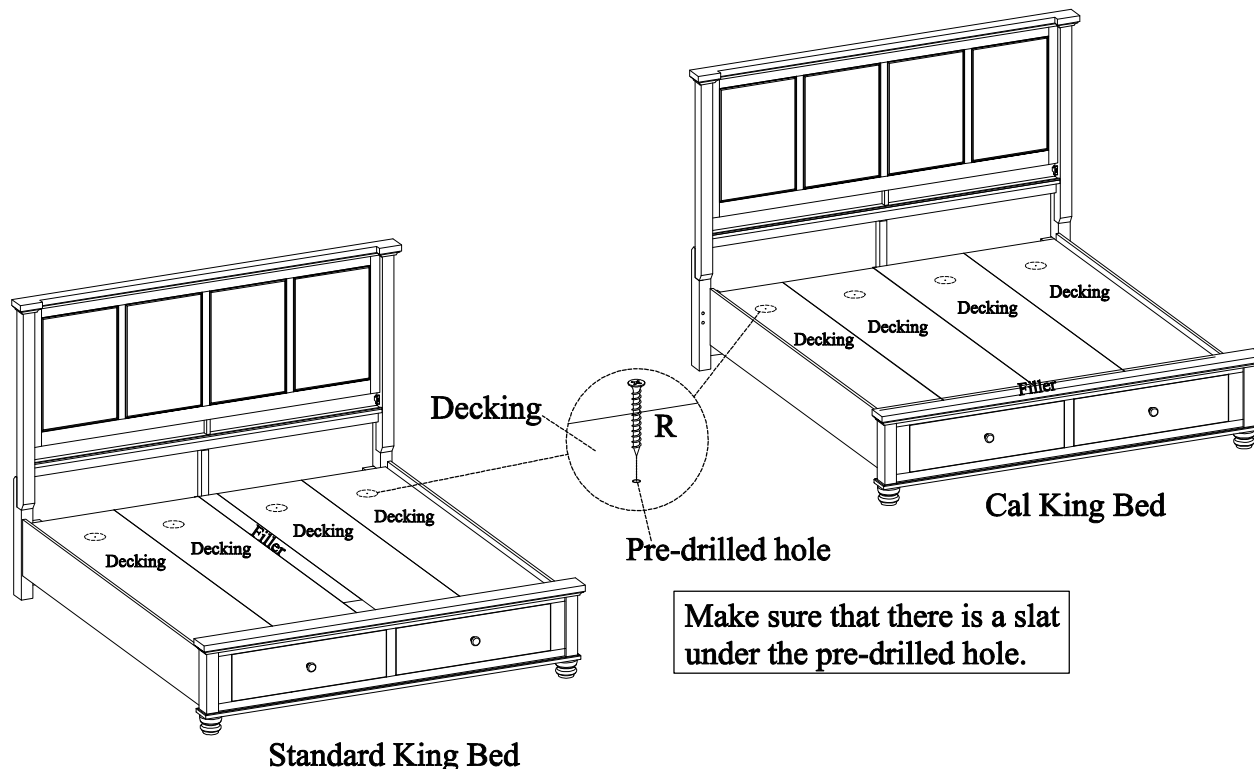


ITEM NO: I280-495 King Panel HB
 I280-406 King Rails
 I280-410 Cal King Rails
 I280-407D King Storage FB w/ Decking

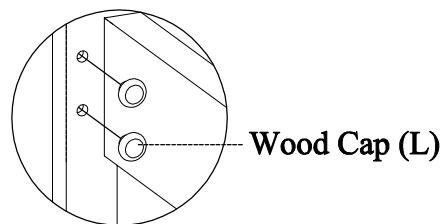
STEP 9: For the Cal King bed, both filler boards are notched. Using a utility knife only cut off the small piece at the notch on one of the filler boards. This cut off filler board will be placed at the foot of the bed going from left to right as shown on the right side below in STEP 10. For the standard King bed, skip this step and arrange the decking boards as shown on the left side below.



STEP 10: Put the decking over the slats, secure decking to the slats with wood screws (P) through the pre-drilled holes in the decking as shown below.



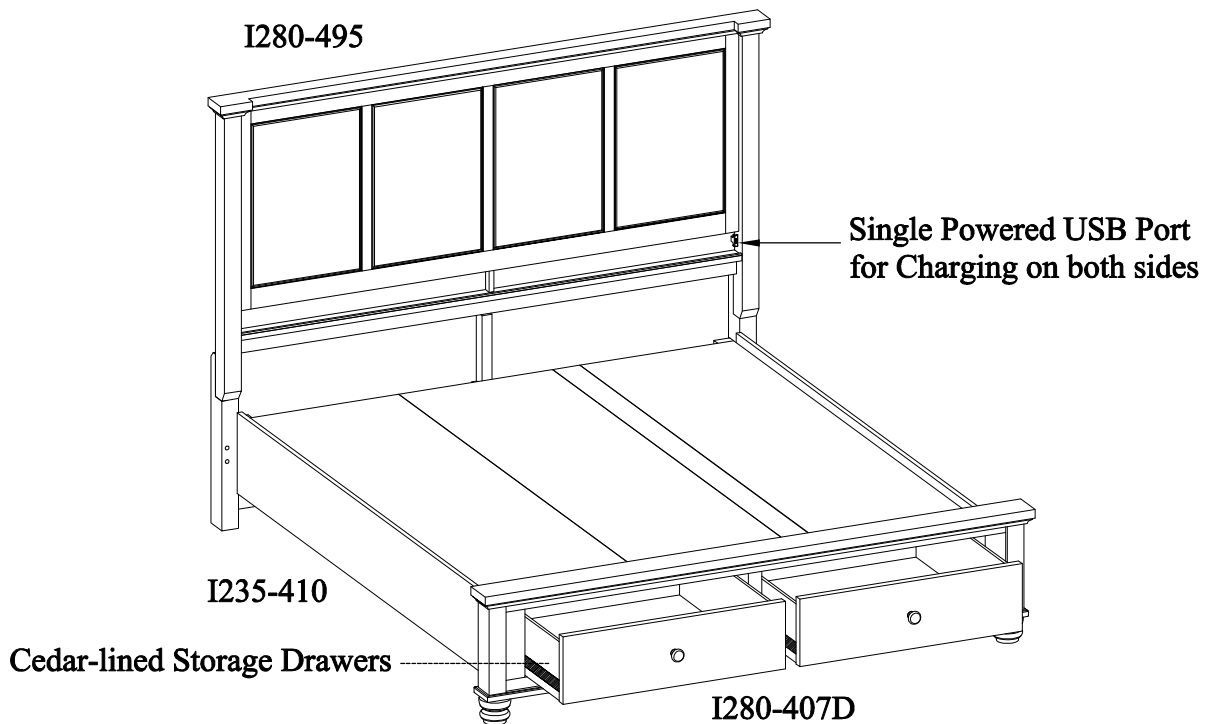
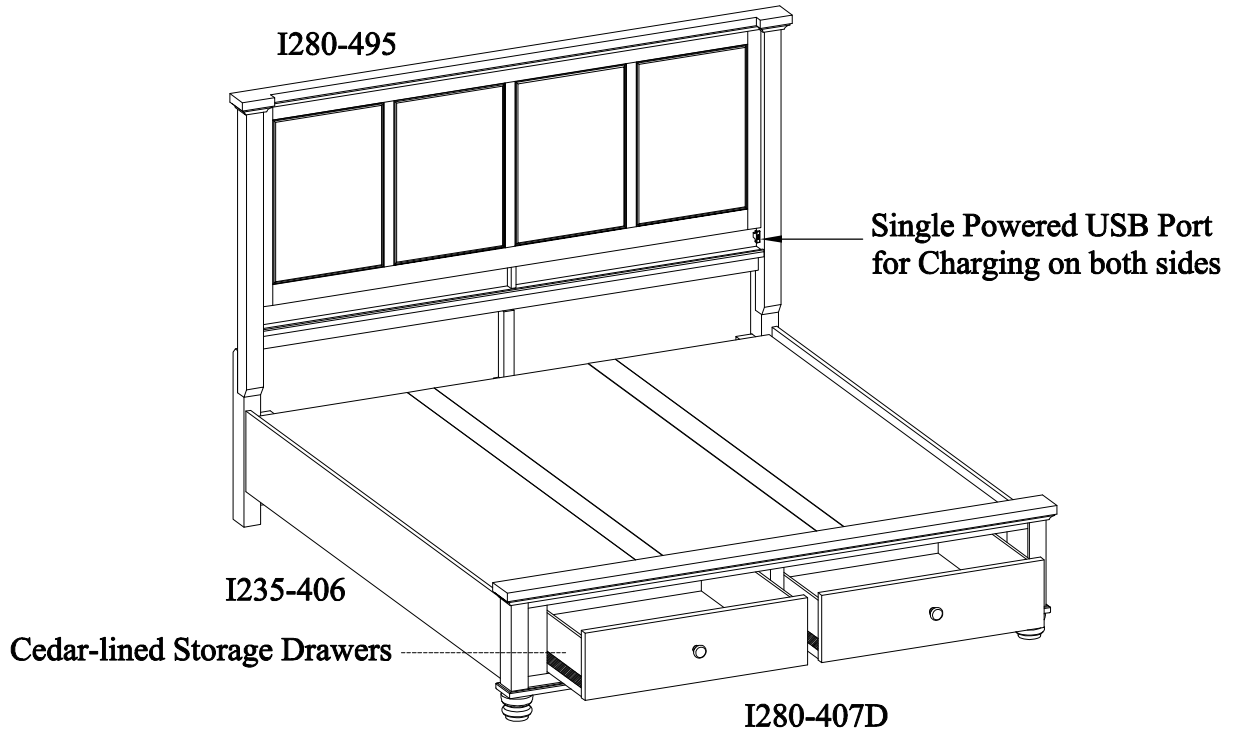
STEP 11: For Cal King bed, insert wood caps into the holes on headboard and footboard. For regular King bed, skip this step.

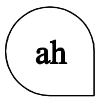




- ITEM NO: I280-495 King Panel HB
 I280-406 King Rails
 I280-410 Cal King Rails
 I280-407D King Storage FB w/ Decking

FUNCTIONALITY INSTRUCTION





ITEM NO: I280-495

I280-406S

I280-410S-EXT

I280-407D

King Panel HB

King Side Storage Rails

Cal King Side Stg Ext Kit (for I280-406S)

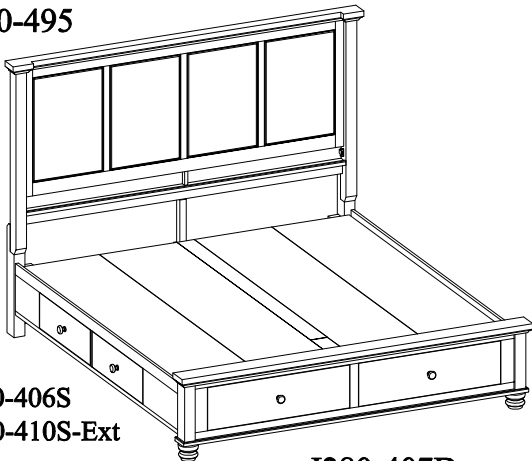
King Storage FB w/ Decking

Thank you for purchasing this quality product. Be sure to check all packing material carefully for small parts that may come loose inside the carton during shipment.



UNIT SHOULD BE INSTALLED BY 2 OR MORE PERSONS.

I280-495



I280-406S

I280-410S-Ext

I280-407D

All Beds need to be set up in the exact final location so that after full assembly it will not need to be moved. Moving the bed will cause the support legs to move out of perpendicular (90 degree), weaken the support system, and may allow the bed to collapse.

TOOLS REQUIRED (NOT PROVIDED)

PHILLIPS SCREWDRIVER

BEFORE USING THIS PRODUCT PLEASE READ, UNDERSTAND, AND FOLLOW THESE INSTRUCTIONS.
Save these instructions for future reference.

FOR INDOOR USE ONLY



ITEM NO: I280-495

I280-406S

I280-410S-EXT

I280-407D

King Panel HB

King Side Storage Rails

Cal King Side Stg Ext Kit (for I280-406S)

King Storage FB w/ Decking

HARDWARE LIST: I280-495

No.	Description	Sketch	Quantity
A	Bolt Ø5/16" x 1-9/16"		6 PCS
B	Bolt Ø5/16" x 2-1/4"		8 PCS
C	Lock Washer Ø5/16"		14 PCS
D	Flat Washer Ø5/16" x 3/4"		14 PCS
E	Allen Wrench 5mm		1 PC

HARDWARE LIST: I280-406S

No.	Description	Sketch	Quantity
F	Hanger Bolt Ø5/16" x 3-1/8"		8 PCS
G	Lock Washer Ø5/16"		8 PCS
H	Flat Washer Ø5/16" x 5/8"		8 PCS
I	Hex Nut Ø5/16"		8 PCS
J	Hex Wrench		1 PC
K	Wood Screw M4 x 1-3/16"		14 PCS

HARDWARE LIST: I280-410S-EXT

No.	Description	Sketch	Quantity
L	Bolt Ø5/16" x 1-3/4"		12 PCS
M	Lock Washer Ø5/16"		12 PCS
N	Flat Washer Ø5/16" x 3/4"		12 PCS
O	Allen Wrench 5mm		1 PC
P	Wood Cap		8 PCS

HARDWARE LIST: I280-407D

No.	Description	Sketch	Quantity
Q	Bolt Ø5/16" x 1-3/16"		8 PCS
R	Lock Washer Ø5/16"		8 PCS
S	Flat Washer Ø5/16" x 3/4"		8 PCS
T	Allen Wrench 5mm		1 PC
U	Wood Screw M4 x 1"		6 PCS

COMPONENTS LIST: I280-495

No.	Description	Sketch	Quantity
1	Headboard		1 PC
2	Left leg		1 PC
3	Right leg		1 PC
4	Wood stretcher		1 PC
5	Center support leg		1 PC

COMPONENTS LIST: I280-406S

No.	Description	Sketch	Quantity
1	Left side storage rail		1 PC
2	Right side storage rail		1 PC
3	Slats		4 PCS
4	Support leg (for side storage rail)		6 PCS
5	Stretcher		1 PC

COMPONENTS LIST: I280-410S-EXT

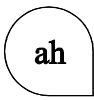
No.	Description	Sketch	Quantity
1	Slats		5 PCS
2	Center rail (Long)		1 PC
3	Cal king side stg ext kit (Left)		1 PC
4	Cal king side stg ext kit (Right)		1 PC
5	Stretcher		1 PC

COMPONENTS LIST: I280-407D

No.	Description	Sketch	Quantity
1	Footboard		1 PC
2	Support leg (for center rail)		2 PCS
3	Support leg (for pedestal)		3 PCS
4	Decking		4 PCS
5	Center rail (Short)		1 PC
6	Filler		1 PC
7	Bun foot		2 PCS

BEFORE USING THIS PRODUCT PLEASE READ, UNDERSTAND, AND FOLLOW THESE INSTRUCTIONS.
Save these instructions for future reference.

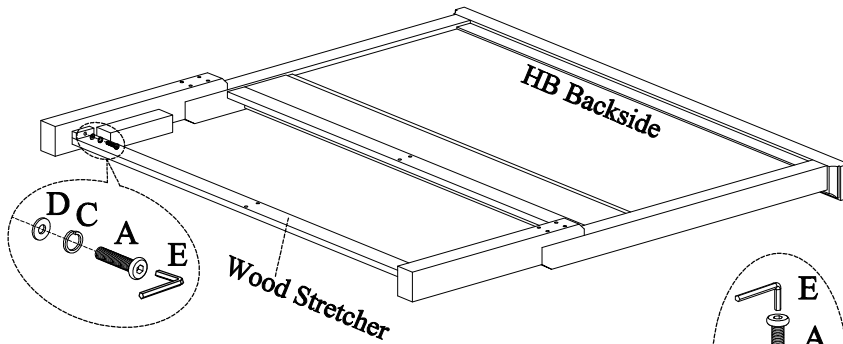
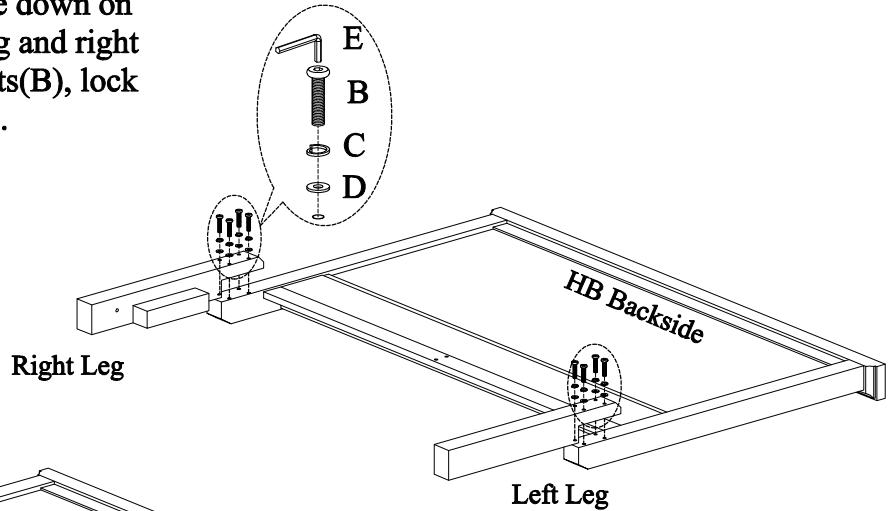
FOR INDOOR USE ONLY



ITEM NO: I280-495
I280-406S
I280-410S-EXT
I280-407D

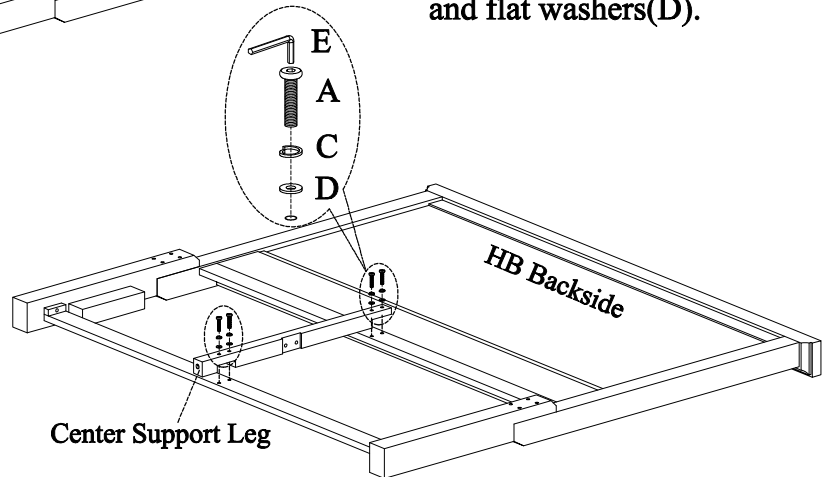
King Panel HB
King Side Storage Rails
Cal King Side Stg Ext Kit (for I280-406S)
King Storage FB w/ Decking

STEP 1: Lay the headboard face down on a soft surface. Attach the left leg and right leg to headboard by using 8 bolts(B), lock washers(C) and flat washers(D).

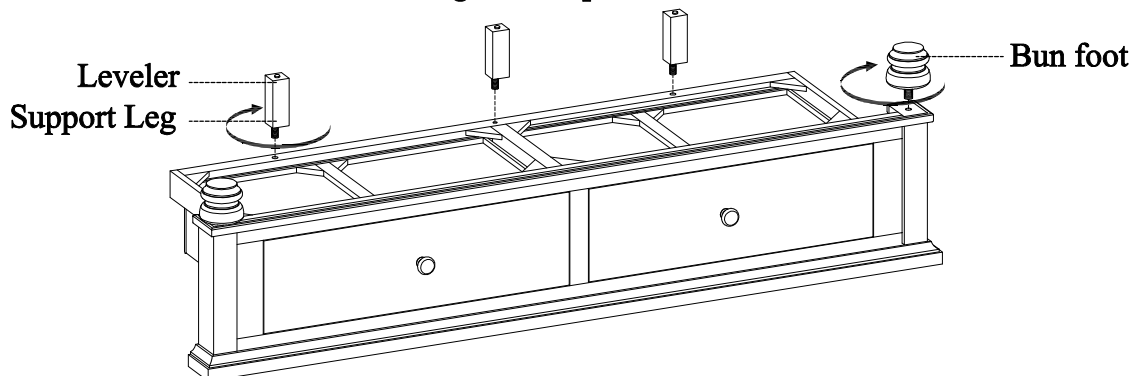


STEP 2: Attach the wood stretcher to the legs by using 2 bolts(A), lock washers(C) and flat washers(D).

STEP 3: Attach the center support leg to headboard and wood stretcher by using 4 bolts(A), lock washers(C) and flat washers(D).



STEP 4: Put footboard upside down on a padded, clean surface. Attach support legs (for pedestal) and bun feet to footboard. Turn footboard right side up.



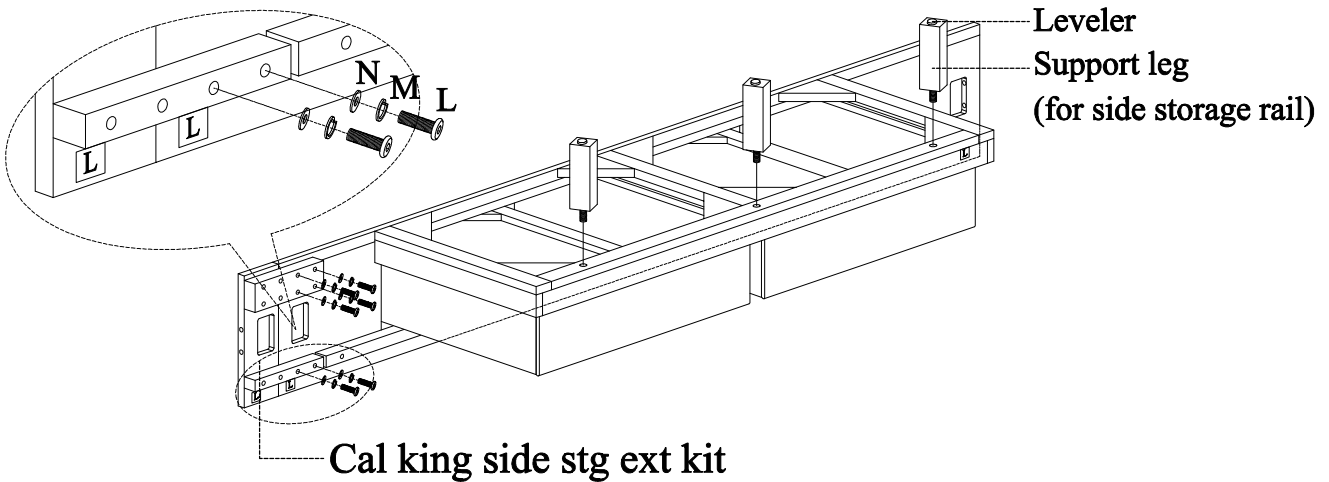


ITEM NO: I280-495
 I280-406S
 I280-410S-EXT
 I280-407D

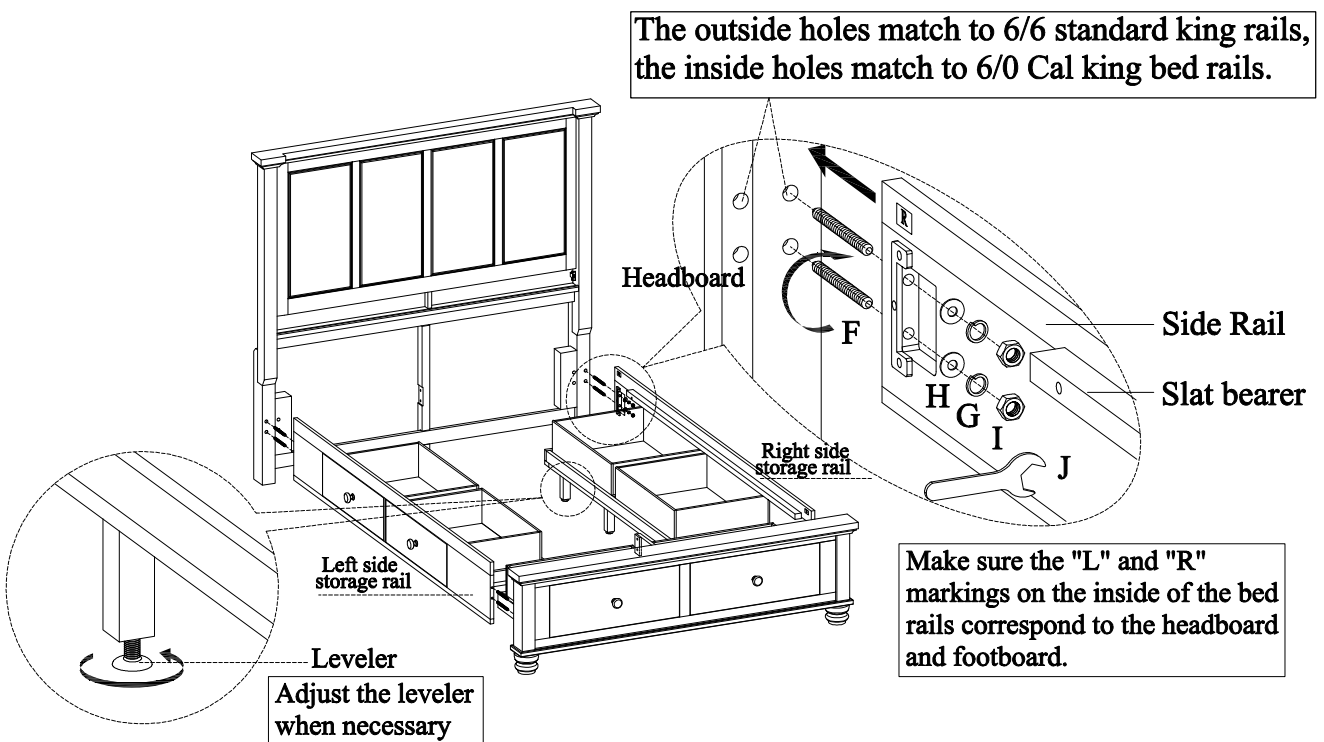
King Panel HB
 King Side Storage Rails
 Cal King Side Stg Ext Kit (for I280-406S)
 King Storage FB w/ Decking

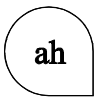
STEP 5: Put side storage rails upside down on a padded, clean surface. Attach support legs (for side storage rail) to footboard. Turn side storage rails right side up.

STEP 6: For the Cal King bed, attach Cal king side stg ext kit to bed storage side rails with "L" and "R" markings on the inside by using flat washer(N), lock washers(M) and bolt (L). Then Use the Allen Wrench (O) to tighten all of the bolts.



STEP 7: Screw the bolts(F) into HB & FB. Make sure the "L" and "R" markings on the inside of the bed storage rails correspond to the headboard and footboard. Align the bolts with the holes in the end of side rails and attach the side rails to HB & FB using flat washer(H), lock washers(G) and nuts (I). Then use a hex wrench(J) to tighten all the nuts.

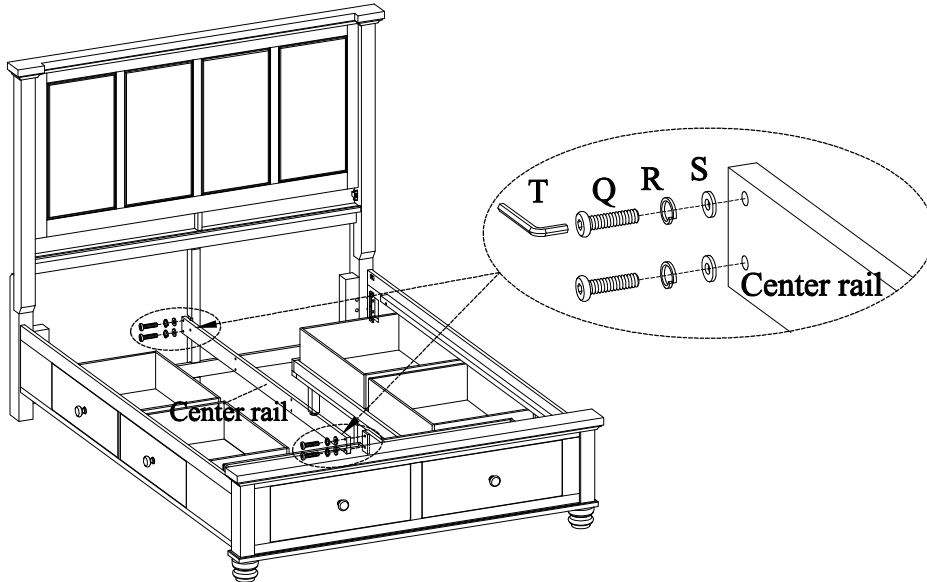




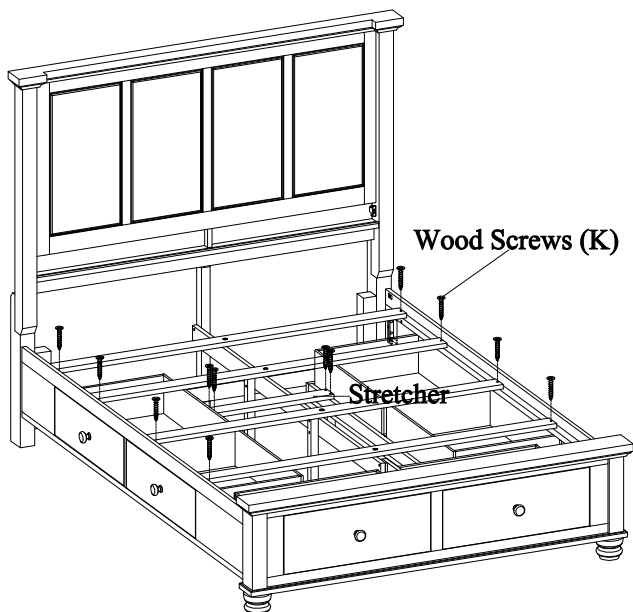
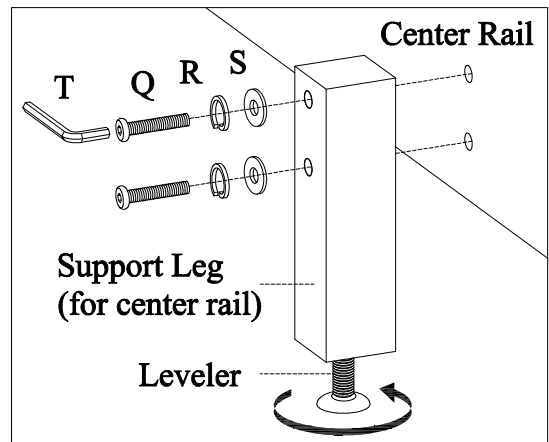
ITEM NO: I280-495
I280-406S
I280-410S-EXT
I280-407D

King Panel HB
King Side Storage Rails
Cal King Side Stg Ext Kit (for I280-406S)
King Storage FB w/ Decking

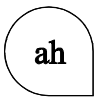
STEP 8: Attach center rail to the footboard and center support leg of headboard using 4 bolts(Q), lock washers(R) and flat washers(S).



STEP 9: Attach 2 support legs (for center rail) to the center rail using 4 bolts(Q), lock washers(R) and flat washers(S). Use the Allen Wrench (T) to tighten all of the bolts.

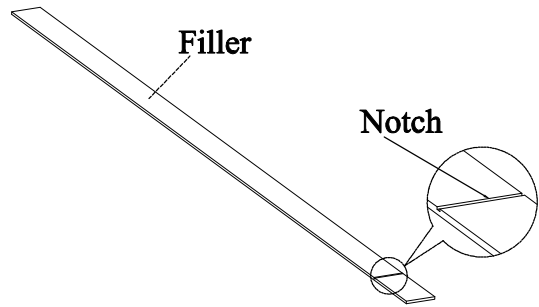


STEP 10: Attach the stretcher to side storage rails on both sides and Arrange slats on the slat bearers and then lay decking on top of the slats. Make sure the slats are positioned along the seams of the decking as shown in the detail in STEP 11 under the pre-drilled hole. Remove the decking and attach slats to the slat bearers with wood screws (K).

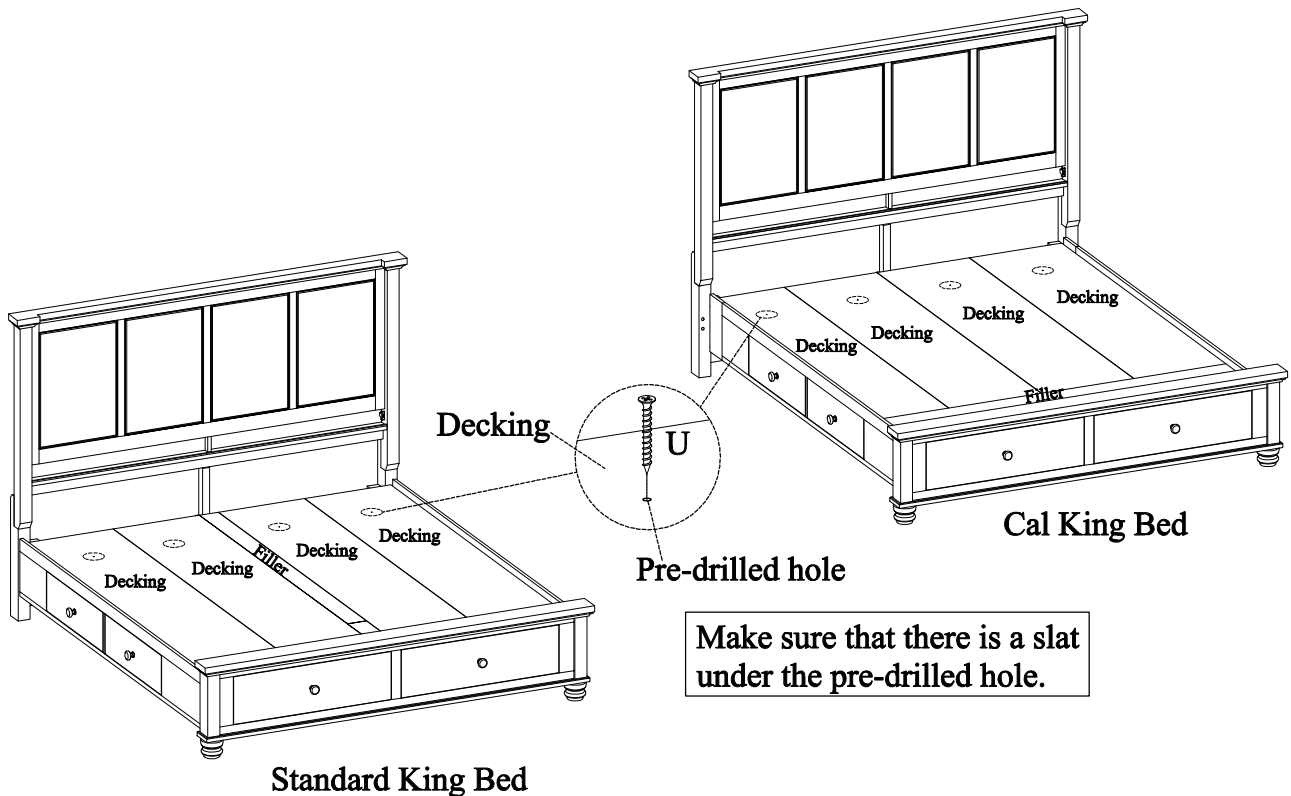


ITEM NO: I280-495 King Panel HB
 I280-406S King Side Storage Rails
 I280-410S-EXT Cal King Side Stg Ext Kit (for I280-406S)
 I280-407D King Storage FB w/ Decking

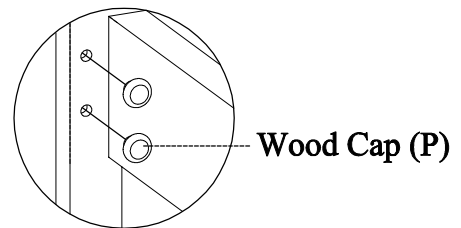
STEP 11: For the Cal King bed, both filler boards are notched. Using a utility knife only cut off the small piece at the notch on one of the filler boards. This cut off filler board will be placed at the foot of the bed going from left to right as shown on the right side below in STEP 11. For the standard king bed, skip this step and arrange the decking boards as shown on the left side below.

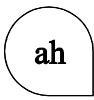


STEP 12: Put the decking over the slats, secure decking to the slats with wood screws (U) through the pre-drilled holes in the decking as shown below.



STEP 13: For Cal King bed, insert wood caps into the holes on headboard and footboard. For regular King bed, skip this step.





ITEM NO: I280-495

I280-406S

I280-410S-EXT

I280-407D

King Panel HB

King Side Storage Rails

Cal King Side Stg Ext Kit (for I280-406S)

King Storage FB w/ Decking

FUNCTIONALITY INSTRUCTION

