

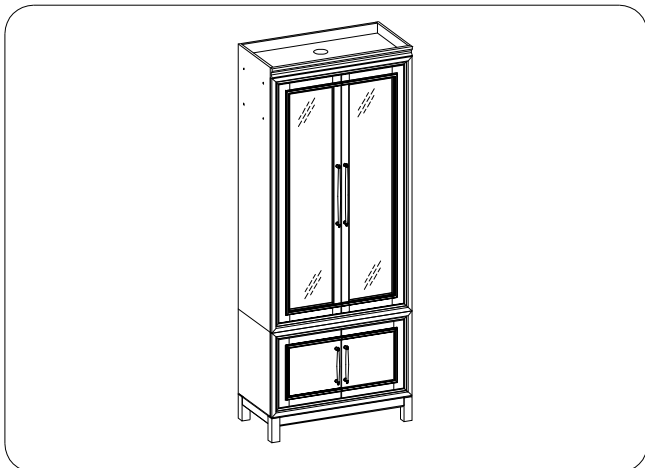


ITEM NO: I3014-226 Pier/Display Cabinet

Thank you for purchasing this quality product. Be sure to check all packing material carefully for small parts that may come loose inside the carton during shipment.




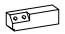


UNIT SHOULD BE INSTALLED BY 2 OR MORE PERSONS.








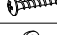
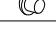
TOOLS REQUIRED (NOT PROVIDED)

PHILLIPS SCREWDRIVER 

COMPONENTS LIST:

No.	Description	Sketch	Quantity
1	Case		1 PC
2	Leg		4 PCS
3	Glass		3 PCS
4	Glass Frame		1 PC

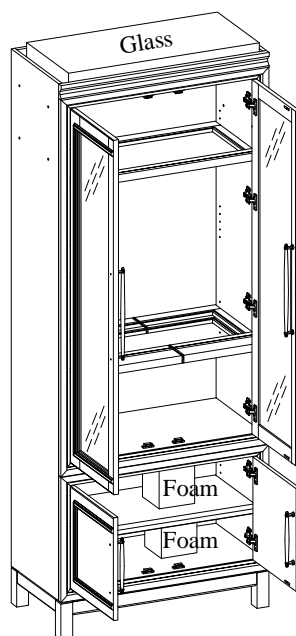
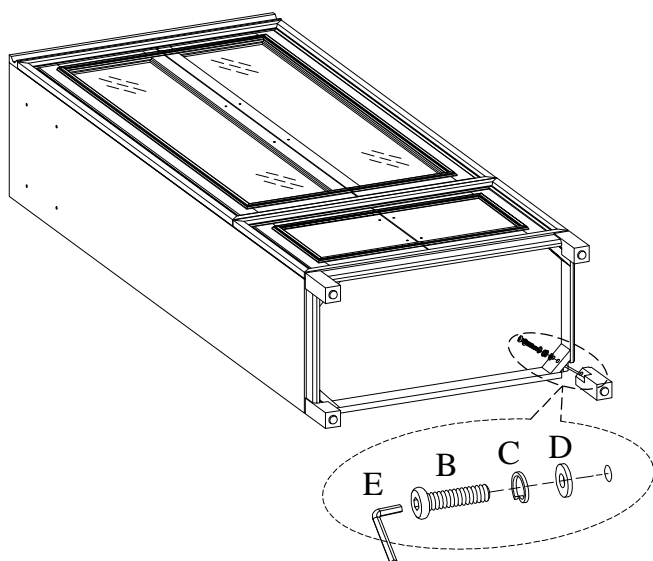
HARDWARE LIST:

No.	Description	Sketch	Quantity
A	Hex Bolt Ø5/16" x 2"		8 PCS
B	Lock Washer Ø5/16"		8 PCS
C	Flat Washer Ø5/16" x 3/4"		8 PCS
D	Allen Wrench 4mm		1 PCS
E	Shelf Bracket		4 PCS
F	Wood Screw #3.5 x 5/8"		4 PCS
G	Plug		8 PCS

WARNING! Before using this product, please read, understand, and follow these instructions. Failure to follow each of these assembly instructions precisely may result in damage to the product and / or injury to the consumer.

STEP 1: Put the case backside down on a soft surface.

STEP 2: Attach the legs to the bottom of case by using 8 bolts (A), lock washers (B), flat washers (C) with an allen wrench (D) as shown below. Completely tighten all bolts. Return the assembled case to the upright position.



FOR INDOOR USE ONLY



ITEM NO: I3014-226 Pier/Display Cabinet

STEP 3: Open the doors and cut out the plastic rings on the middle shelf frames, put the shelf brackets (E) in the desired location, then secure the brackets to shelf frame with screws (F).

STEP 4: When each shelf frame is on the right location, slightly place the glass on shelf frames.

STEP 5: Reverse the handles by removing the screws while each door is open and attach the handles to the front of the door with screws as shown below.

STEP 6: Insert the plugs (G) into the holes on both side panels as shown below.

Note: Please follow the group assembly instruction when this case is combined with the console, bridge & backer (I3014-273/-272B).

