

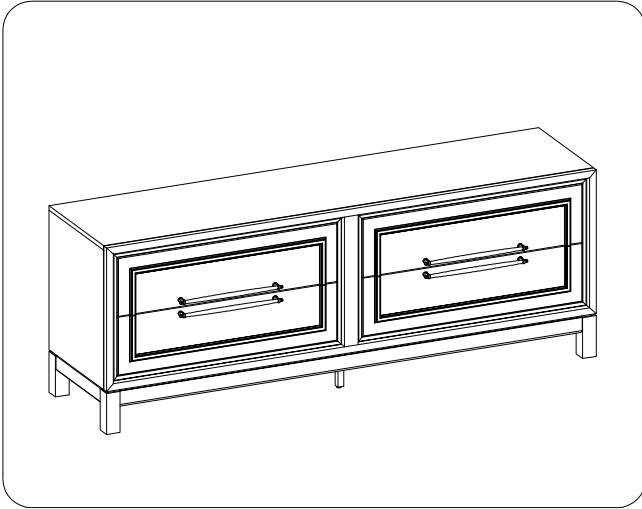


ITEM NO: I3014-272 72" Console

Thank you for purchasing this quality product. Be sure to check all packing material carefully for small parts that may come loose inside the carton during shipment.



UNIT SHOULD BE INSTALLED BY 2 OR MORE PERSONS.

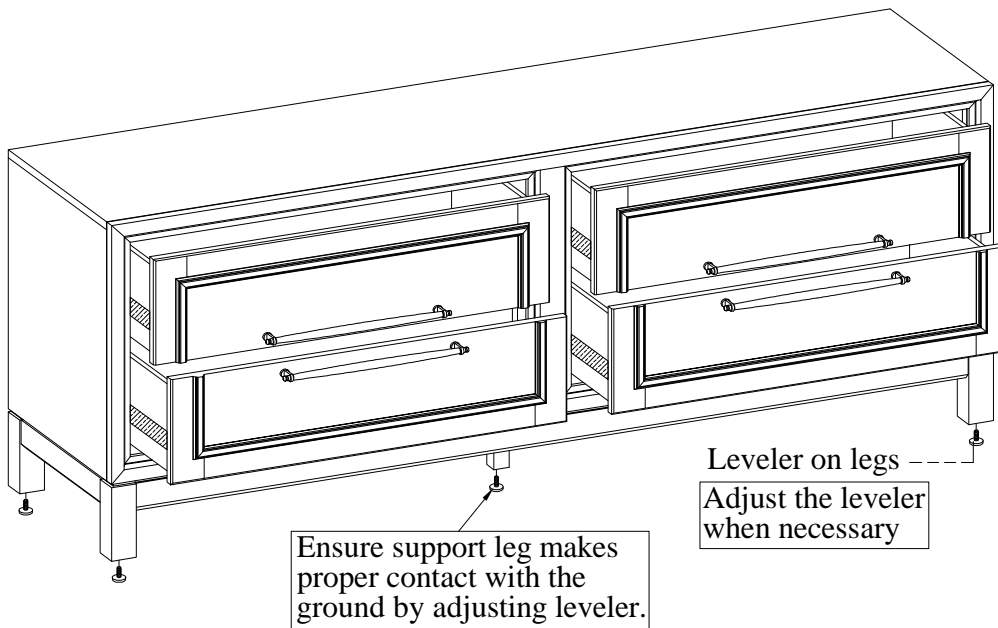


TOOLS REQUIRED (NOT PROVIDED)	
PHILLIPS SCREWDRIVER	

HARDWARE LIST:			
No.	Description	Sketch	Quantity
A	Bolt Ø5/16" x 2"		8 PCS
B	Lock Washer Ø5/16"		8 PCS
C	Flat Washer Ø5/16" x 3/4"		8 PCS
D	Allen Wrench 4mm		1 PC

COMPONENTS LIST:			
No.	Description	Sketch	Quantity
1	Case		1 PC
2	Leg		4 PCS
3	Support Leg		1 PC

FUNCTIONALITY INSTRUCTION



WARNING! Before using this product, please read, understand, and follow these instructions. Failure to follow each of these assembly instructions precisely may result in damage to the product and / or injury to the consumer.

FOR INDOOR USE ONLY

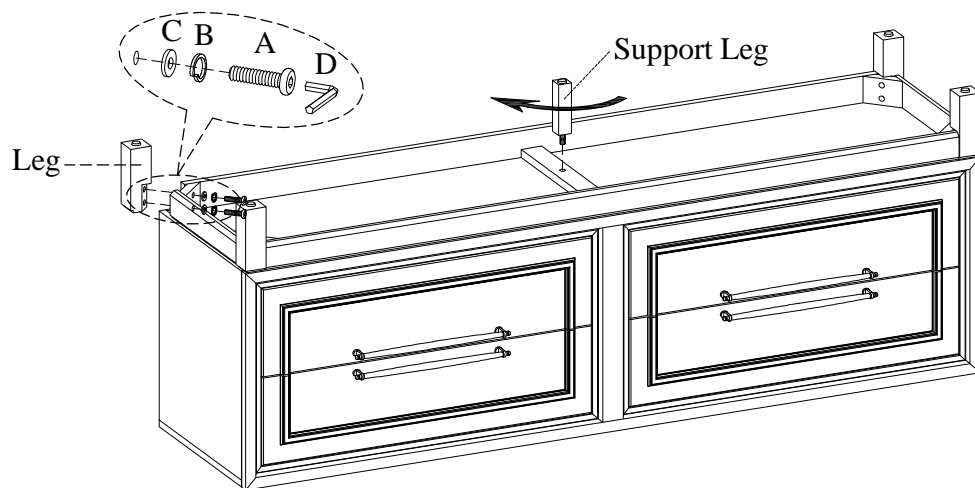


ITEM NO: I3014-272 72" Console

STEP 1: Put the case upside down on a soft surface.

STEP 2: Attach the legs to the bottom of case by using 8 bolts (A), lock washers (B), flat washers (C) with an allen wrench (D) as shown below. Completely tighten all bolts.

STEP 3: Attach the support leg as shown below.



STEP 4: Return the case to the upright position.

