

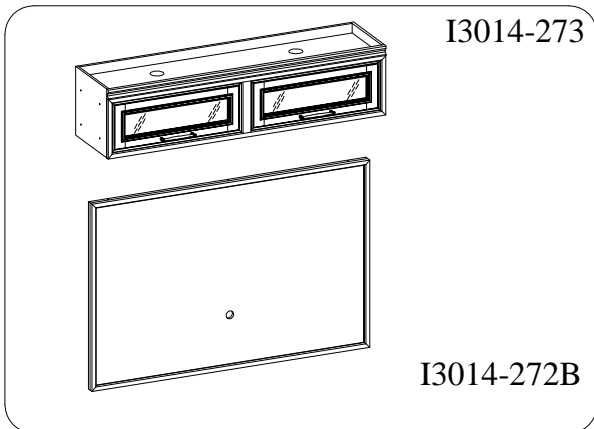



ITEM NO: I3014-272B 72" Backer
I3014-273 72" Bridge

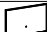
Thank you for purchasing this quality product. Be sure to check all packing material carefully for small parts that may come loose inside the carton during shipment.










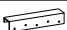
UNIT SHOULD BE INSTALLED BY 2 OR MORE PERSONS.

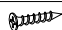





TOOLS REQUIRED (NOT PROVIDED)
PHILLIPS SCREWDRIVER 

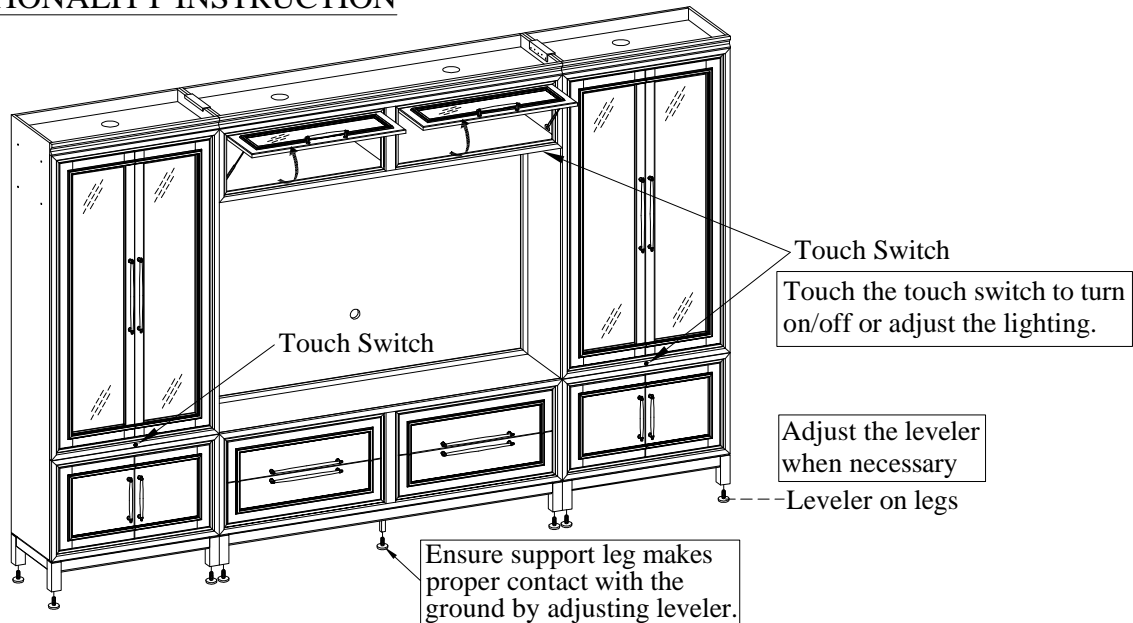
COMPONENTS LIST: I3014-272B			
No.	Description	Sketch	Quantity
1	Backer		1 PC

HARDWARE LIST: I3014-272B			
No.	Description	Sketch	Quantity
A	Bolt Ø1/4" x 3/4"		16 PCS
B	Bolt Ø1/4" x 2-1/4"		3 PCS
C	Lock Washer Ø1/4"		19 PCS
D	Flat Washer Ø1/4" x 3/4"		19 PCS
E	Allen Wrench 4mm		1 PCS
F	Metal Plate		4 PCS

COMPONENTS LIST: I3014-273			
No.	Description	Sketch	Quantity
1	Bridge		1 PC
2	Metal Hook		2 PCS

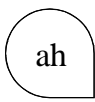
HARDWARE LIST: I3014-273			
No.	Description	Sketch	Quantity
G	Wood Screw #3.5 x 5/8"		10 PCS
H	Hex Bolt Ø1/4" x 1"		8 PCS
I	Female Bolt Ø1/4"x13/16"		8 PCS
J	Allen Wrench 4mm		2 PCS

FUNCTIONALITY INSTRUCTION



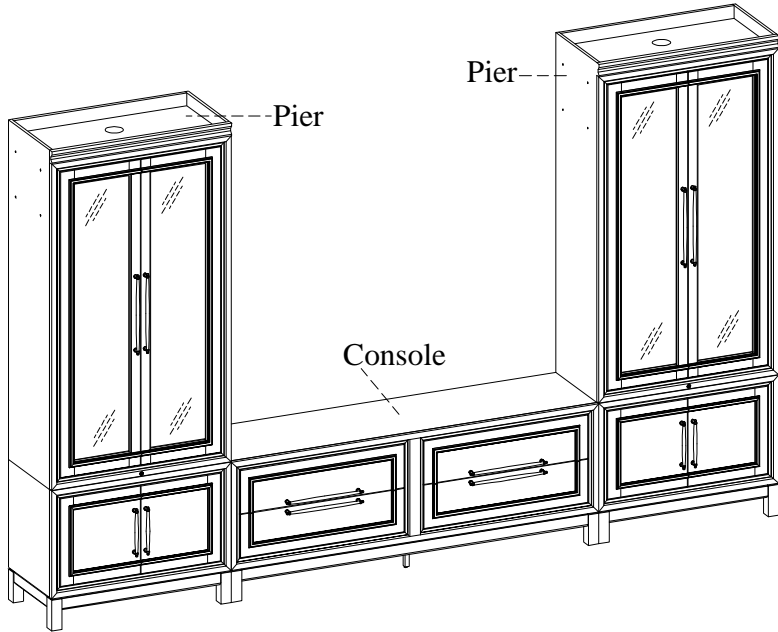
WARNING! Before using this product, please read, understand, and follow these instructions. Failure to follow each of these assembly instructions precisely may result in damage to the product and / or injury to the consumer.

FOR INDOOR USE ONLY

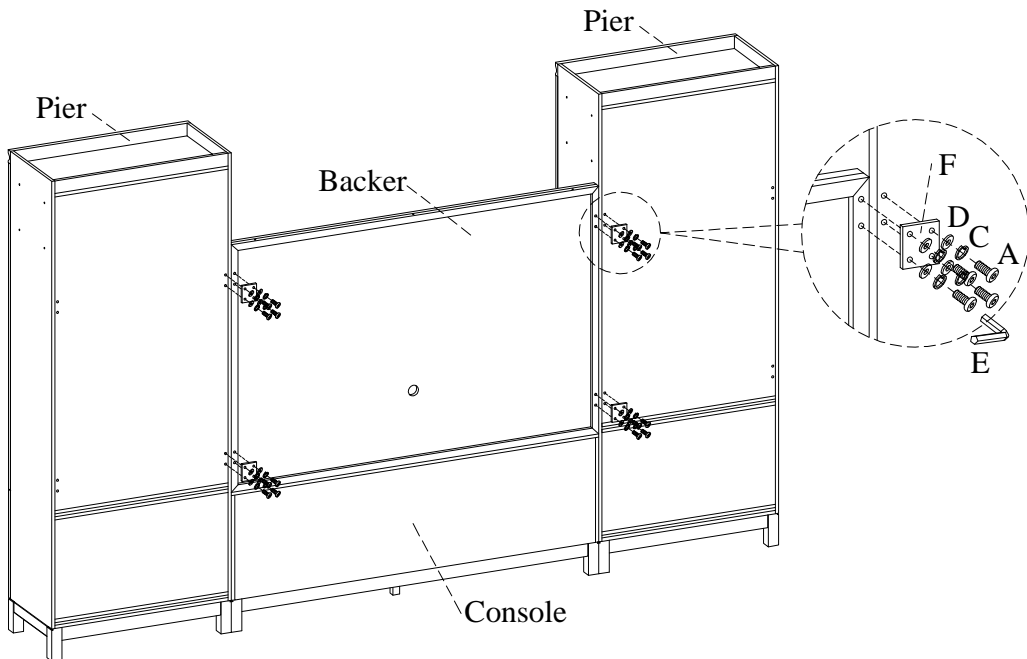


ITEM NO: I3014-272B 72" Backer
I3014-273 72" Bridge

STEP 1: Align the side piers to the console as shown below.



STEP 2: Attach the backer above the console and between side piers by using 16 bolts (A), lock washers (C), flat washers (D) with 4 metal plates (F) as shown below. Do not completely tighten bolts.

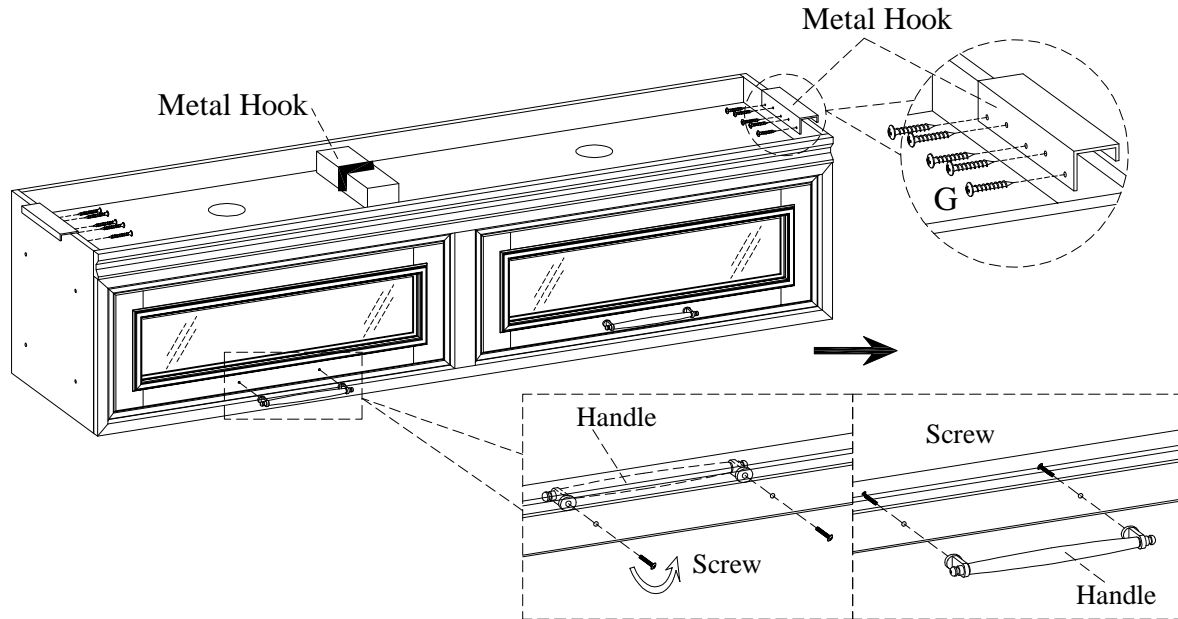




ITEM NO: I3014-272B 72" Backer
 I3014-273 72" Bridge

STEP 3: Attach the metal hooks to the bridge with wood screws (G) as shown below.

STEP 4: Reverse the handles by removing the screws while each door is open and attach the handles to the front of the door with screws as shown below.



STEP 5: Attach the bridge with metal hooks to the side piers and backer by using 3 bolts (B), lock washers (C), flat washers (D) and 8 bolts (H), female bolts (I) with 2 allen wrenches (J) as shown below. Completely tighten all bolts.

