



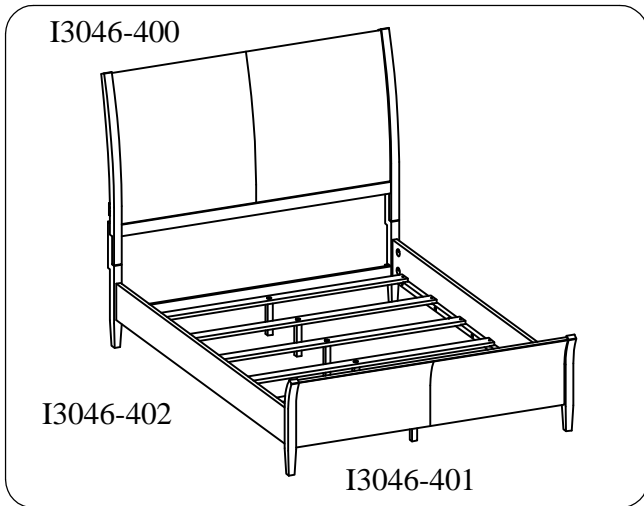
ITEM NO: I3046-400 Queen Sleigh HB
 I3046-401 Queen Sleigh FB
 I3046-402 Queen Rails

Thank you for purchasing this quality product. Be sure to check all packing material carefully for small parts that may come loose inside the carton during shipment.

WARNING! Before using this product, please read, understand, and follow these instructions. Failure to follow each of these assembly instructions precisely may result in damage to the product and / or injury to the consumer.



UNIT SHOULD BE INSTALLED BY 2 OR MORE PERSONS.



TOOLS REQUIRED (NOT PROVIDED)

PHILLIPS SCREWDRIVER

All Beds need to be set up in the exact final location so that after full assembly it will not need to be moved. Moving the bed will cause the support legs to move out of perpendicular (90 degree), weaken the support system, and may allow the bed to collapse.

HARDWARE LIST: I3046-400

No.	Description	Sketch	Quantity
A	Bolt Ø5/16" x 2-1/2"		8 PCS
B	Bolt Ø5/16" x 1-1/2"		4 PCS
C	Lock Washer Ø5/16"		12 PCS
D	Flat Washer Ø5/16" x 3/4"		12 PCS
E	Allen Wrench M4		1 PC

HARDWARE LIST: I3046-402

No.	Description	Sketch	Quantity
F	Hanger Bolt Ø5/16" x 3"		8 PCS
G	Half Moon Washer Ø5/16"		8 PCS
H	Hex Nut Ø5/16"		8 PCS
I	Hex Wrench 13mm		1 PC
J	Wood Screw #4 x 1-1/4"		12 PCS

COMPONENTS LIST: I3046-400

No.	Description	Sketch	Quantity
1	Headboard (HB)		1 PC
2	Left Leg		1 PC
3	Right Leg		1 PC
4	Wood Stretcher		1 PC

COMPONENTS LIST: I3046-402

No.	Description	Sketch	Quantity
1	Bed rail		2 PCS
2	Slat		6 PCS

COMPONENTS LIST: I3046-401

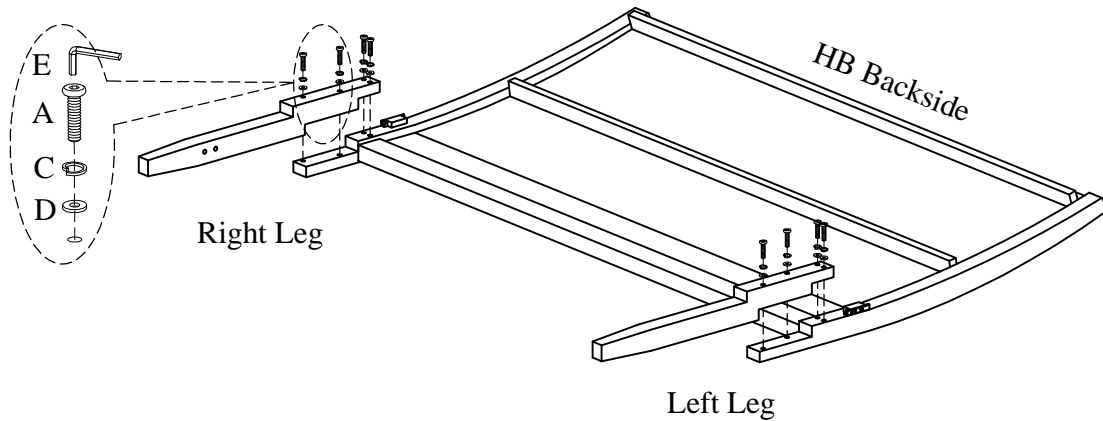
No.	Description	Sketch	Quantity
1	Footboard (FB)		1 PC
2	Support Leg		6 PCS

FOR INDOOR USE ONLY

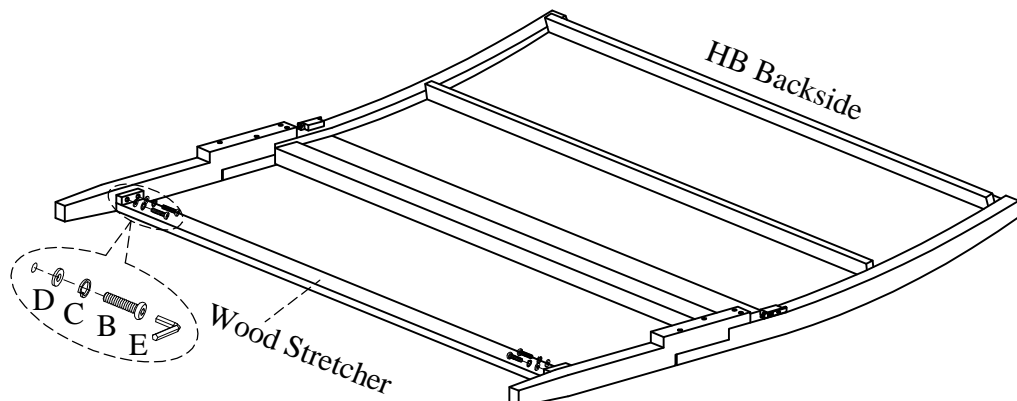


ITEM NO: I3046-400 Queen Sleigh HB
I3046-401 Queen Sleigh FB
I3046-402 Queen Rails

STEP 1: Lay the headboard face down on a soft surface. Attach the left leg and right leg to headboard by using 8 bolts (A), lock washers (C) and flat washers (D) with an allen wrench (E). Do not completely tighten bolts.



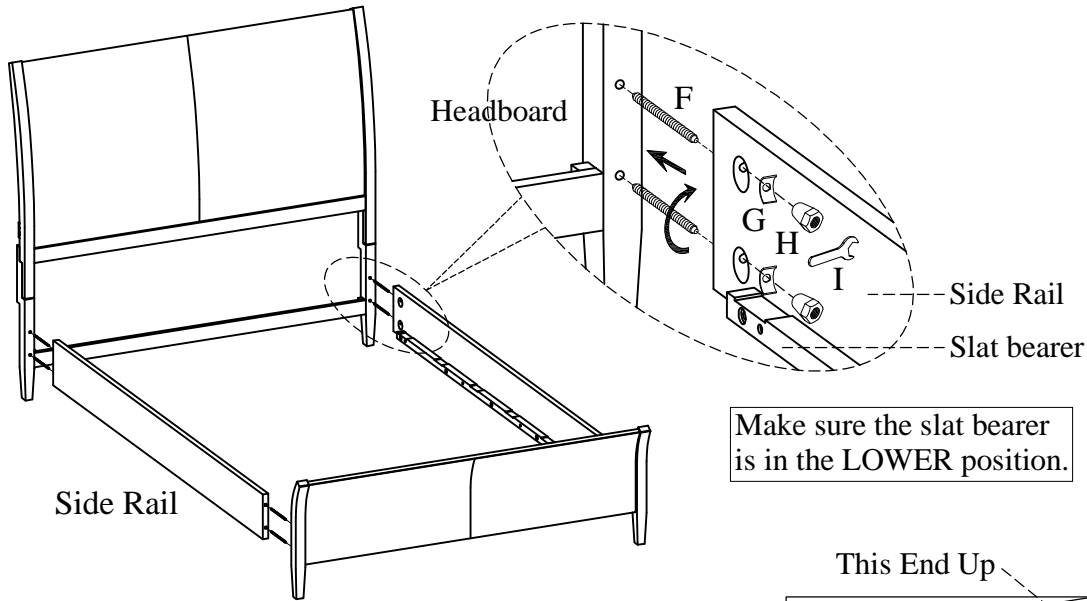
STEP 2: Attach the wood stretcher to the legs by using 4 bolts (B), lock washers (C) and flat washers (D). Use the Allen wrench (E) provided to tighten all the bolts.



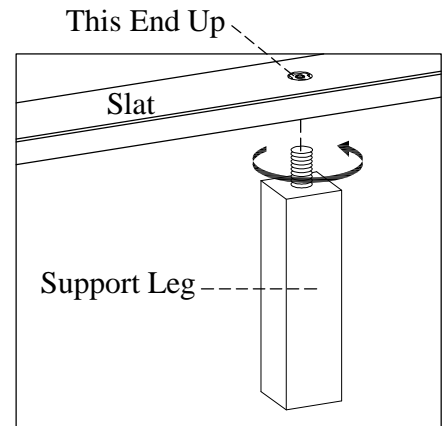


ITEM NO: I3046-400 Queen Sleigh HB
 I3046-401 Queen Sleigh FB
 I3046-402 Queen Rails

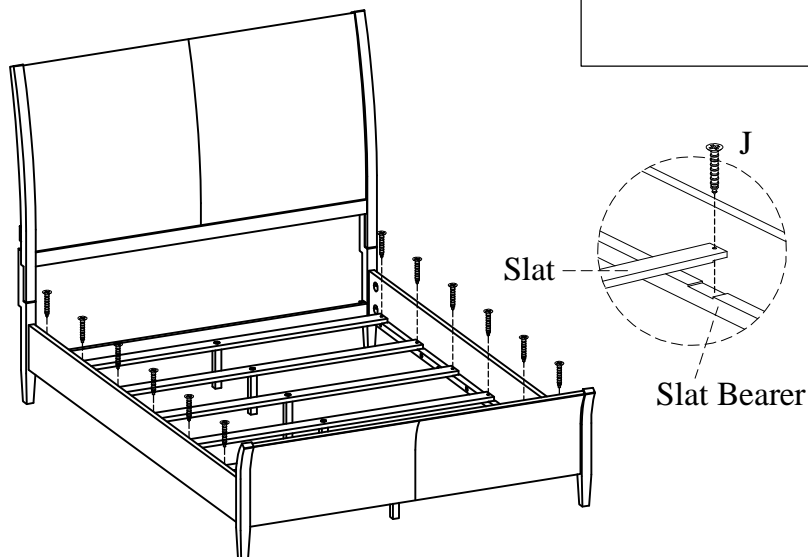
STEP 3: Screw the bolts(F) into HB & FB. Make sure the slat bearer is in the LOWER position. Align the bolts with the holes in the end of side rails and attach the side rails to HB & FB using half moon washers(G) and hex nuts (H). Then use a hex wrench to tighten all the nuts.

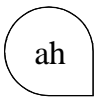


STEP 4: Attach the support legs to the slats as shown right.



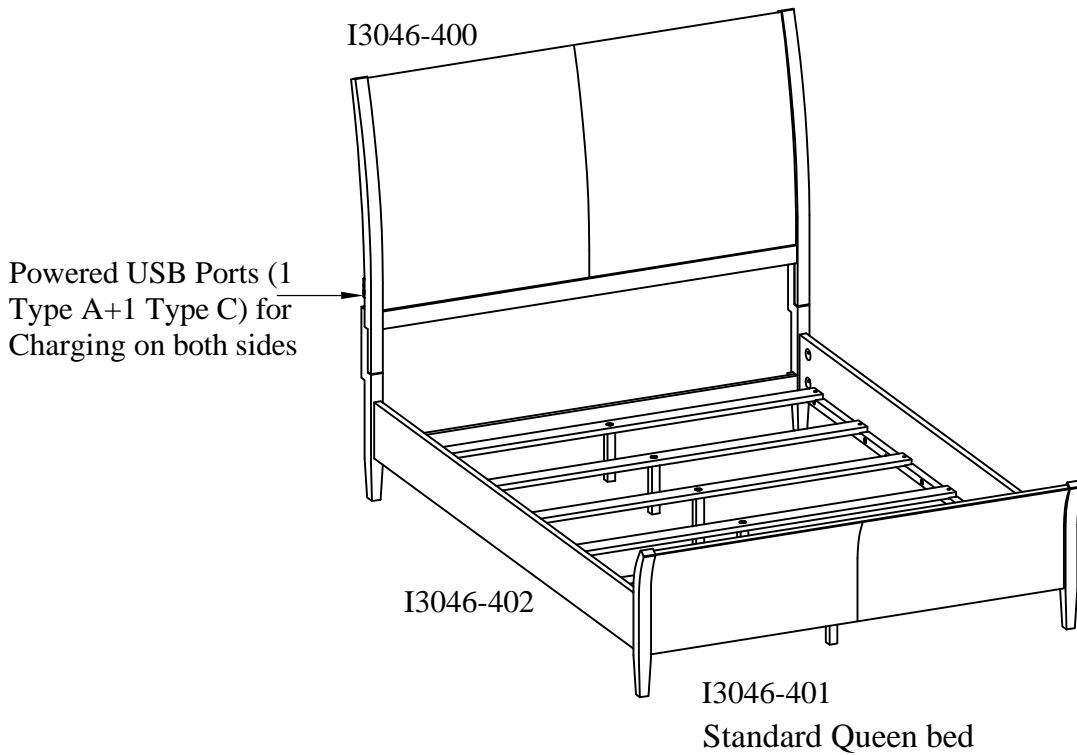
STEP 5: Arrange slats on the slat bearers. Make sure the slats are placed within the notches of each bearer and secured completely with wood screws (J).





ITEM NO: I3046-400 Queen Sleigh HB
 I3046-401 Queen Sleigh FB
 I3046-402 Queen Rails

FUNCTIONALITY INSTRUCTION





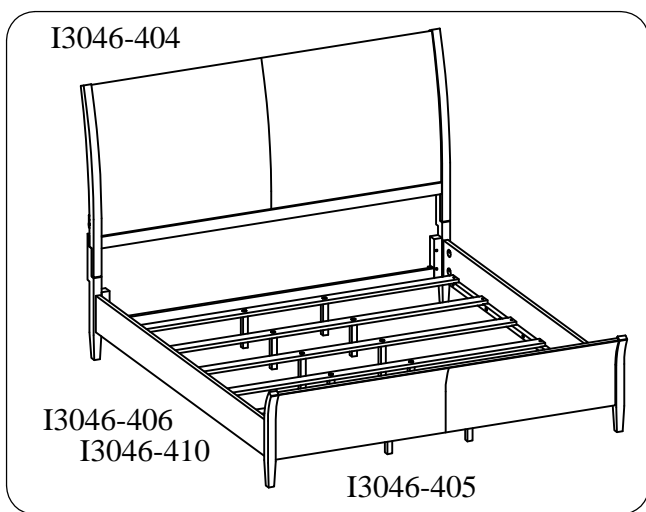
ITEM NO: I3046-404 King Sleigh HB
 I3046-405 King Sleigh FB
 I3046-406 King Rails
 I3046-410 Cal King Rails

Thank you for purchasing this quality product. Be sure to check all packing material carefully for small parts that may come loose inside the carton during shipment.

WARNING! Before using this product, please read, understand, and follow these instructions. Failure to follow each of these assembly instructions precisely may result in damage to the product and / or injury to the consumer.



UNIT SHOULD BE INSTALLED BY 2 OR MORE PERSONS.



TOOLS REQUIRED (NOT PROVIDED)

PHILLIPS SCREWDRIVER

All Beds need to be set up in the exact final location so that after full assembly it will not need to be moved. Moving the bed will cause the support legs to move out of perpendicular (90 degree), weaken the support system, and may allow the bed to collapse.

HARDWARE LIST: I3046-404

No.	Description	Sketch	Quantity
A	Bolt Ø5/16" x 2-1/2"		8 PCS
B	Bolt Ø5/16" x 1-1/2"		4 PCS
C	Lock Washer Ø5/16"		12 PCS
D	Flat Washer Ø5/16" x 3/4"		12 PCS
E	Allen Wrench M4		1 PC

HARDWARE LIST: I3046-406/410

No.	Description	Sketch	Quantity
F	Hanger Bolt Ø5/16" x 3"		8 PCS
G	Half Moon Washer Ø5/16"		8 PCS
H	Hex Nut Ø5/16"		8 PCS
I	Hex Wrench 13mm		1 PC
J	Wood Screw #4 x 1-1/4"		12 PCS
K	Wood Cap (Only for-410)		8 PCS

COMPONENTS LIST: I3046-404

No.	Description	Sketch	Quantity
1	Headboard (HB)		1 PC
2	Left Leg		1 PC
3	Right Leg		1 PC
4	Wood Stretcher		1 PC

COMPONENTS LIST: I3046-406

No.	Description	Sketch	Quantity
1	Bed rail		2 PCS
2	Slat		6 PCS

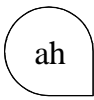
COMPONENTS LIST: I3046-410

No.	Description	Sketch	Quantity
1	Bed rail		2 PCS
2	Slat		6 PCS

COMPONENTS LIST: I3046-405

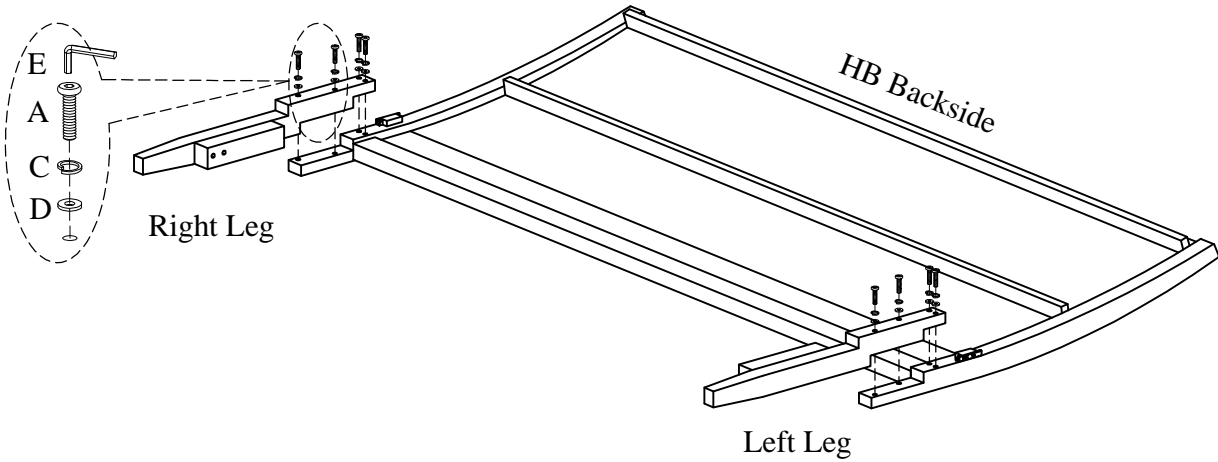
No.	Description	Sketch	Quantity
1	Footboard (FB)		1 PC
2	Support Leg		12 PCS

FOR INDOOR USE ONLY

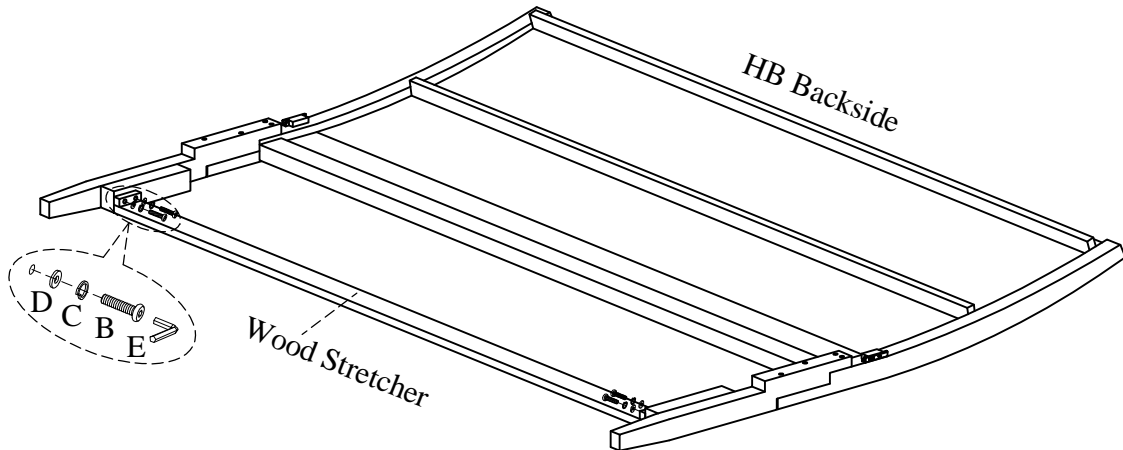


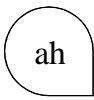
ITEM NO: I3046-404	King Sleigh HB
I3046-405	King Sleigh FB
I3046-406	King Rails
I3046-410	Cal King Rails

STEP 1: Lay the headboard face down on a soft surface. Attach the left leg and right leg to headboard by using 8 bolts (A), lock washers (C) and flat washers (D) with an allen wrench (E). Do not completely tighten bolts.



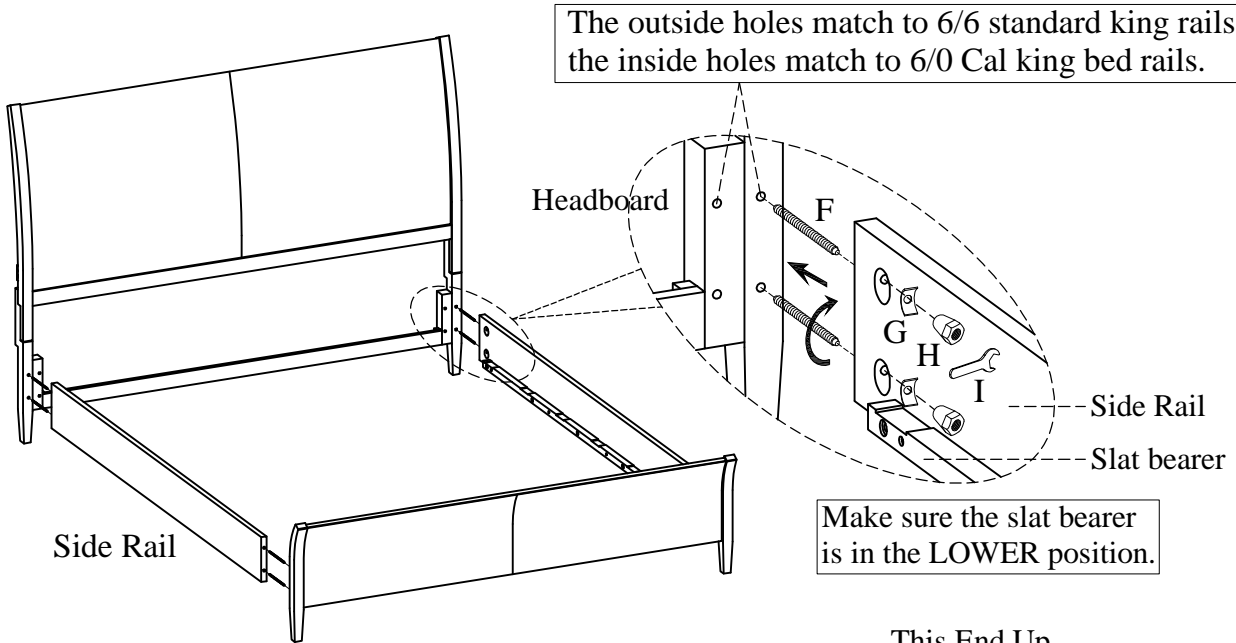
STEP 2: Attach the wood stretcher to the legs by using 4 bolts (B), lock washers (C) and flat washers (D). Use the Allen wrench (E) provided to tighten all the bolts.





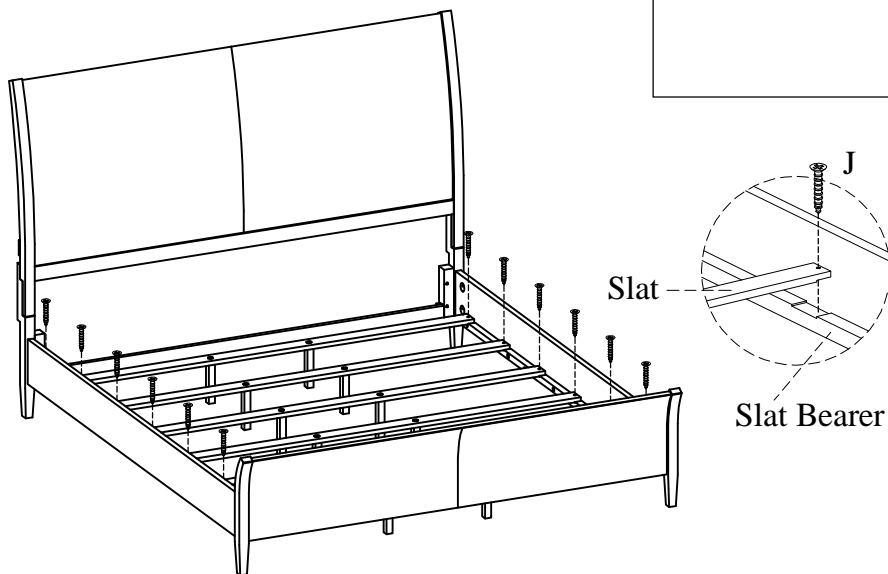
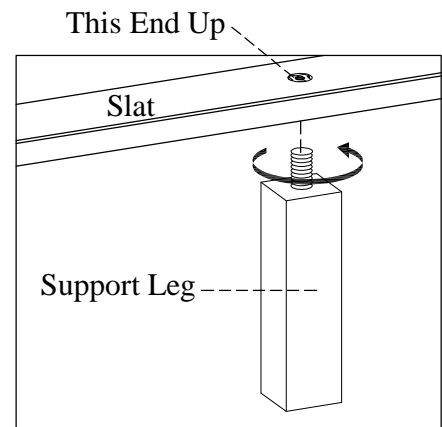
ITEM NO: I3046-404	King Sleigh HB
I3046-405	King Sleigh FB
I3046-406	King Rails
I3046-410	Cal King Rails

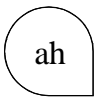
STEP 3: Screw the bolts(F) into HB & FB. Make sure the slat bearer is in the LOWER position. Align the bolts with the holes in the end of side rails and attach the side rails to HB & FB using half moon washers(G) and hex nuts (H). Then use a hex wrench to tighten all the nuts.



STEP 4: Attach the support legs to the slats as shown right.

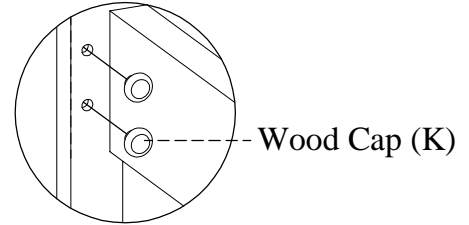
STEP 5: Arrange slats on the slat bearers. Make sure the slats are placed within the notches of each bearer and secured completely with wood screws (J).





ITEM NO: I3046-404	King Sleigh HB
I3046-405	King Sleigh FB
I3046-406	King Rails
I3046-410	Cal King Rails

STEP 6: For Cal King bed, insert wood caps into the holes on headboard and footboard. For regular King bed, skip this step.



FUNCTIONALITY INSTRUCTION

