



ITEM NO: I3046-462 Mirror

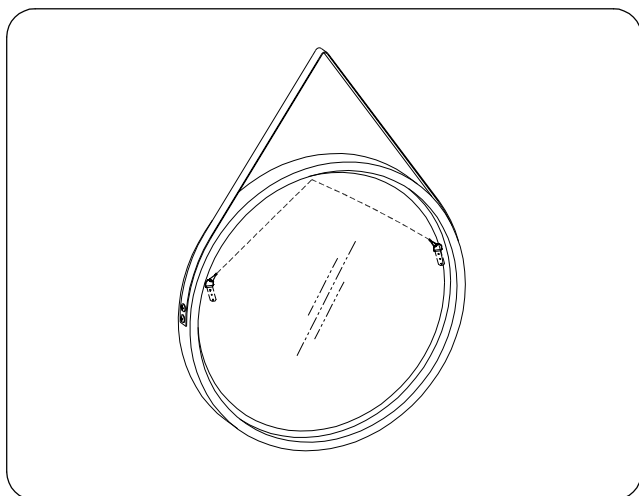
Thank you for purchasing this quality product. Be sure to check all packing material carefully for small parts that may come loose inside the carton during shipment.

WARNING! Before using this product, please read, understand, and follow these instructions. Failure to follow each of these assembly instructions precisely may result in damage to the product and / or injury to the consumer.

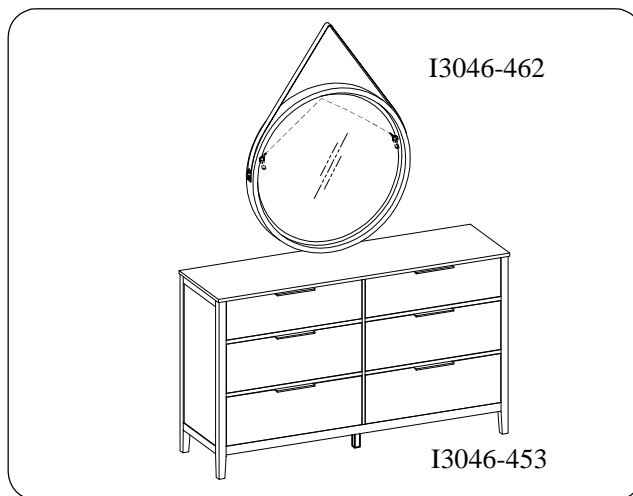


UNIT SHOULD BE INSTALLED BY 2 OR MORE PERSONS.

Option 1: Wall Mount



Option 2: Dresser Mount



HARDWARE LIST:			
No.	Description	Sketch	Quantity
A	Bolt Ø1/4" x 1-1/4"		8 PCS
B	Lock Washer Ø1/4"		8 PCS
C	Flat Washer Ø1/4" x 3/4"		8 PCS
D	Allen Wrench M4		1 PC
E	Nail/Hanger Body		1 PC
F	Nail/Hanger Cap		1 PC
G	Long Screw		2 PCS
H	Allen Wrench M2		1 PC

TOOLS REQUIRED (NOT PROVIDED)	
PHILLIPS SCREWDRIVER	

COMPONENTS LIST:			
No.	Description	Sketch	Quantity
1	Mirror with Leather Band		1 PC
2	Wood Strip		1 PC

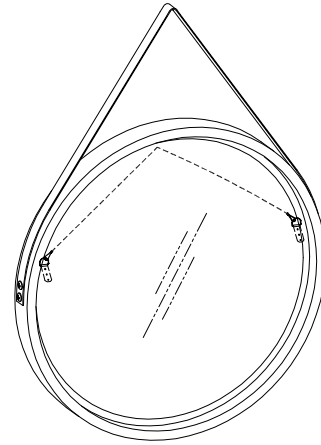
FOR INDOOR USE ONLY



ITEM NO: I3046-462 Mirror

FOR OPTION 1 (Wall Mount with Decorative Leather Band)

WARNING:
Leather band is decorative
ONLY and not intended to
support the weight of the
mirror.



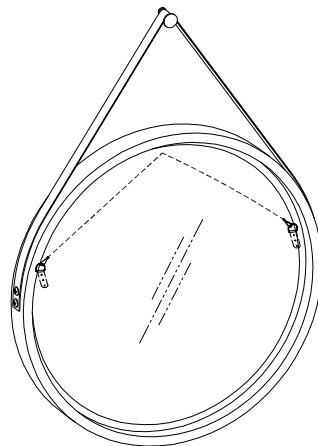
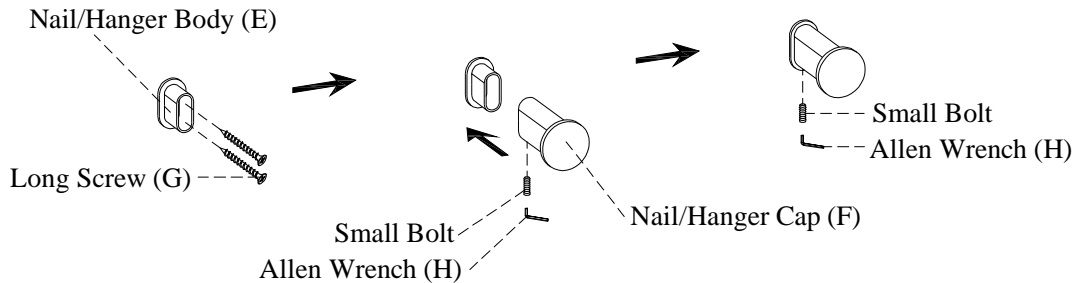
STEP 1: (Wire Hanger) After attaching nail/hanger to wall, place wire over nail/hanger and slowly lower the mirror into place. Make sure the wire catches on the nail/hanger.

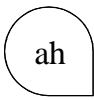
Note: Ensure the nail/hanger is in a wall stud or wall solid enough to support mirror.

STEP 2: (Decorative Band) Place nail/hanger body (E) under leather band and stretch up to desired position. Mark holes for screws.

STEP 3: Attach the nail/hanger body (E) to wall by using 2 long screws (G), slide the nail/hanger cap (F) into place on nail/hanger body (E) and use an Allen wrench (H) to tighten the small bolt included on this nail/hanger cap (F) as shown below.

STEP 4: Place leather band over nail/hanger assembly.



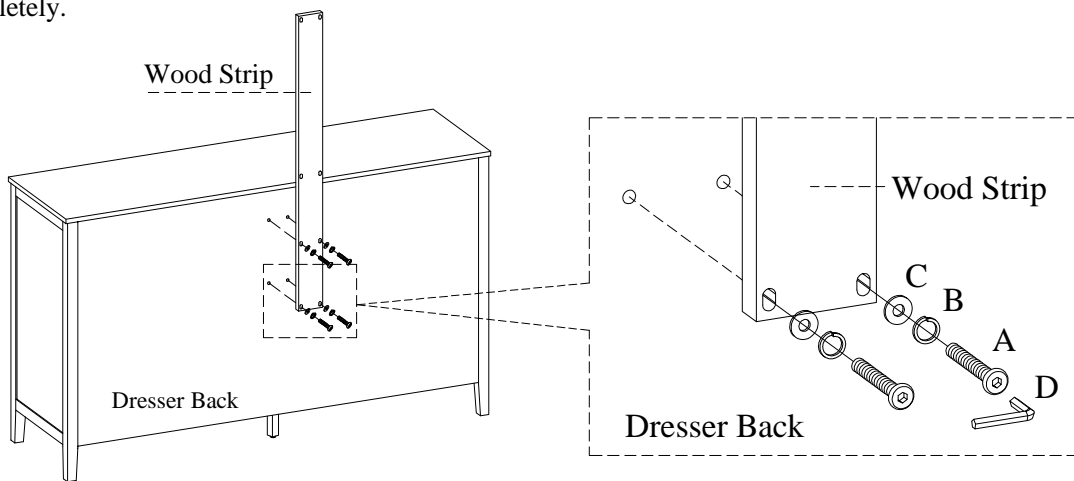


ITEM NO: I3046-462 Mirror

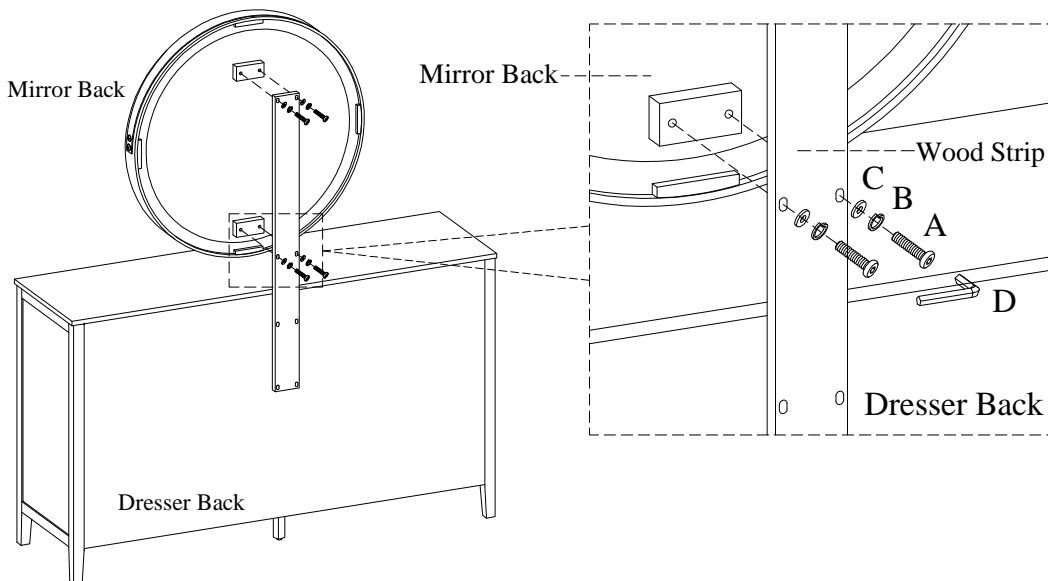
FOR OPTION 2 (Dresser Mount with Decorative Leather Band)

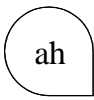
WARNING:
Leather band is decorative
ONLY and not intended to
support the weight of the
mirror.

STEP 1: Attach the wood strip to the dresser by using 4 bolts(A), lock washers(B), and flat washers(C). Do not tighten bolts completely.



STEP 2: Attach the wood strip to the mirror by using 4 bolts(A), lock washers(B), and flat washers(C). Tighten all bolts on dresser and mirror with Allen wrench.





ITEM NO: I3046-462 Mirror

STEP 3: (Decorative Band) Place nail/hanger body (E) under leather band and stretch up to desired position. Mark holes for screws.

STEP 4: Attach the nail/hanger body (E) to wall by using 2 long screws (G), slide the nail/hanger cap (F) into place on nail/hanger body (E) and use an Allen wrench (H) to tighten the small bolt included on this nail/hanger cap (F) as shown below.

STEP 5: Place leather band over nail/hanger assembly.

