



ITEM NO: I3048-462 Metal Mirror

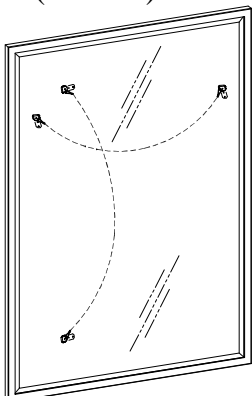
Thank you for purchasing this quality product. Be sure to check all packing material carefully for small parts that may come loose inside the carton during shipment.



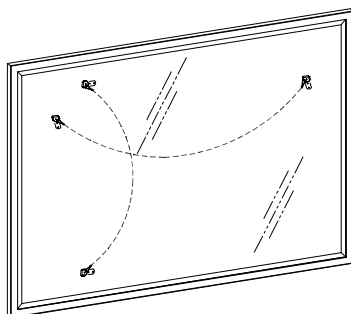
UNIT SHOULD BE INSTALLED BY 2 OR MORE PERSONS.

Option 1: Wall Mount

A (Portrait)

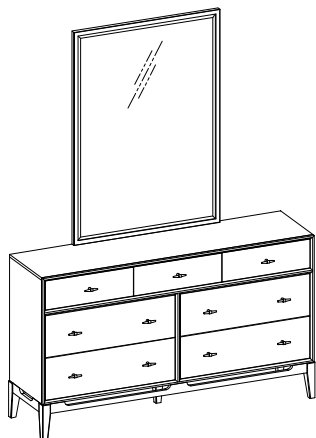


B (Landscape)

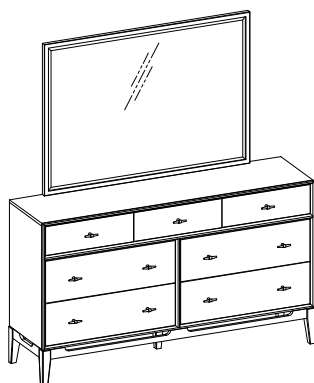


I3048-462

Option 2: Dresser Mount



I3048-462



I3048-453

HARDWARE LIST:

No.	Description	Sketch	Quantity
A	Bolt Ø1/4" x 1-1/2"		8 PCS
B	Lock Washer Ø1/4"		8 PCS
C	Flat Washer Ø1/4" x 3/4"		8 PCS
D	Allen Wrench M4		1 PC

TOOLS REQUIRED (NOT PROVIDED)

PHILLIPS SCREWDRIVER

COMPONENTS LIST:

No.	Description	Sketch	Quantity
1	Mirror		1 PC
2	Wood Strip		2 PCS

WARNING! Before using this product, please read, understand, and follow these instructions. Failure to follow each of these assembly instructions precisely may result in damage to the product and / or injury to the consumer.

FOR INDOOR USE ONLY

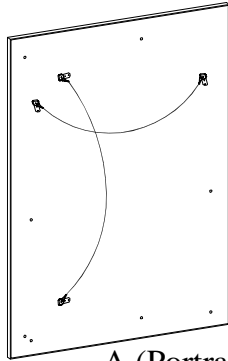


ITEM NO: I3048-462 Metal Mirror

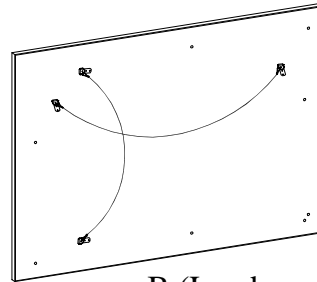
FOR OPTION 1 (Wall Mount)

STEP 1: After attaching nail/hanger to wall, place wire over nail/hanger and slowly lower the mirror into place. Make sure the wire catches on the nail/hanger.

Note: Ensure the nail/hanger is in a wall stud or wall solid enough to support mirror.



A (Portrait)

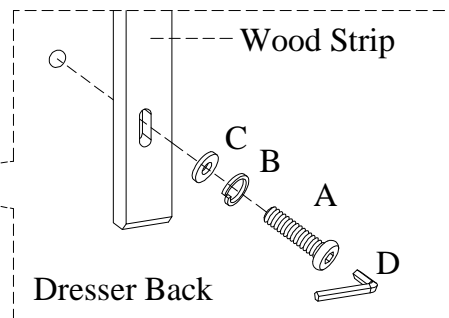
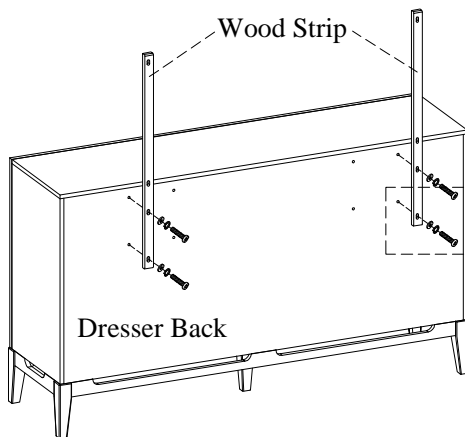


B (Landscape)

FOR OPTION 2 (Dresser Mount)

STEP 1: Attach the wood strips to the dresser by using 4 bolts (A), lock washers (B), and flat washers (C). Do not tighten bolts completely.

Note: Use inside threaded inserts for position A (portrait) and outside threaded inserts for position B (landscape).



STEP 2: Attach the wood strips to the mirror by using 4 bolts (A), lock washers (B), and flat washers (C). Tighten all bolts on dresser and mirror with Allen wrench.

