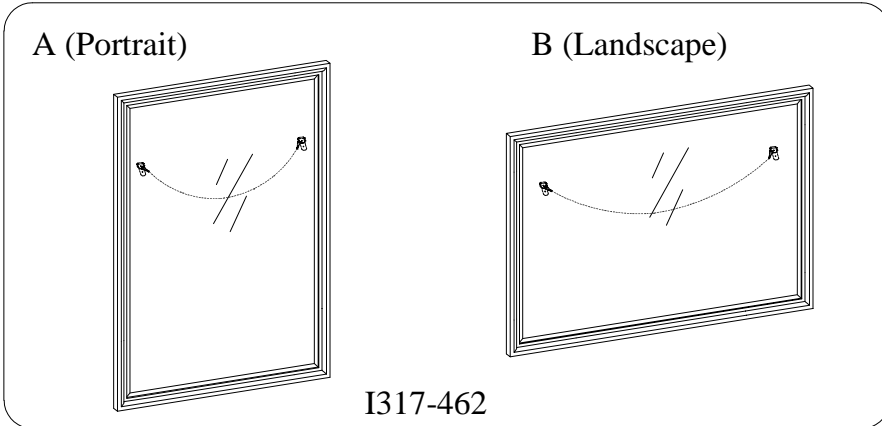




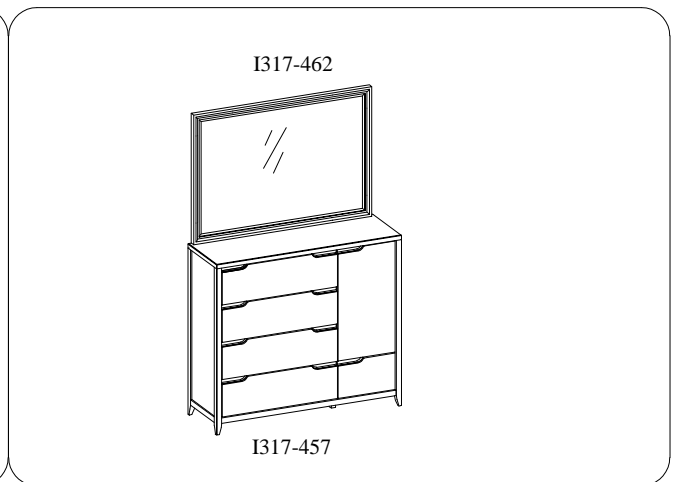
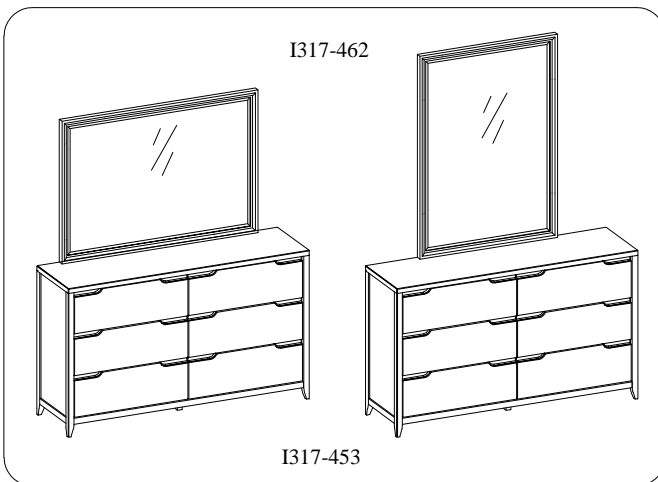
ITEM NO: I317-462 Landscape Mirror

Thank you for purchasing this quality product. Be sure to check all packing material carefully for small parts that may come loose inside the carton during shipment.

Option 1: Wall Mount



Option 2: Dresser/Door Chest Mount



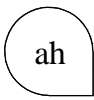
HARDWARE LIST:			
No.	Description	Sketch	Quantity
A	Bolt Ø1/4" x 1-1/4"		4 PCS
B	Bolt Ø1/4" x 1-3/4"		4 PCS
C	Lock Washer Ø1/4"		12 PCS
D	Flat Washer Ø1/4" x 3/4"		12 PCS
E	Allen Wrench 4mm		1 PC
F	Bolt Ø1/4" x 5/8"		4 PCS
G	Wire		1 Set

TOOLS REQUIRED (NOT PROVIDED)	
PHILLIPS SCREWDRIVER	

COMPONENTS LIST:			
No.	Description	Sketch	Quantity
1	Mirror		1 PC
2	Wood Strip		2 PCS

BEFORE USING THIS PRODUCT PLEASE READ, UNDERSTAND, AND FOLLOW THESE INSTRUCTIONS. Save these instructions for future reference.

FOR INDOOR USE ONLY



ITEM NO: I317-462

Landscape Mirror

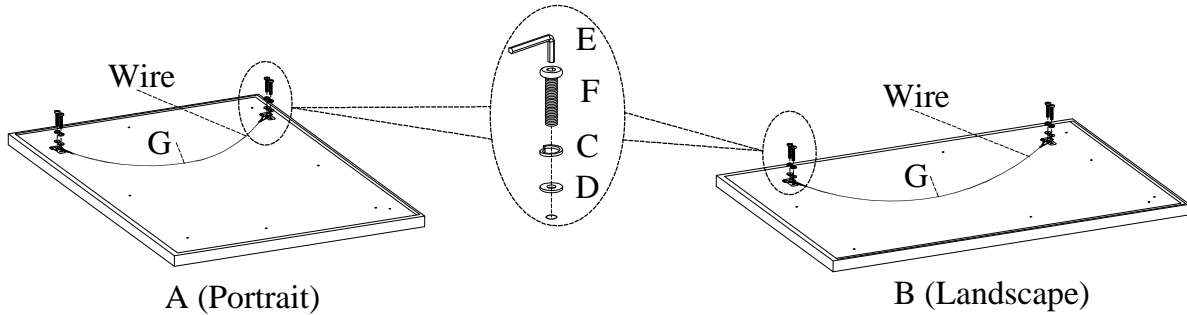
FOR OPTION 1 (Wall Mount)

STEP 1: If you refer to hang the mirror in landscape orientation as shown in Diagram B. Lay the mirror face down on a soft surface. Attach the wire to mirror by using 4 bolts(F), lock washers(C) and flat washers(D).

If you refer to hang the mirror in portrait orientation, then attach the wire as shown in Diagram A.

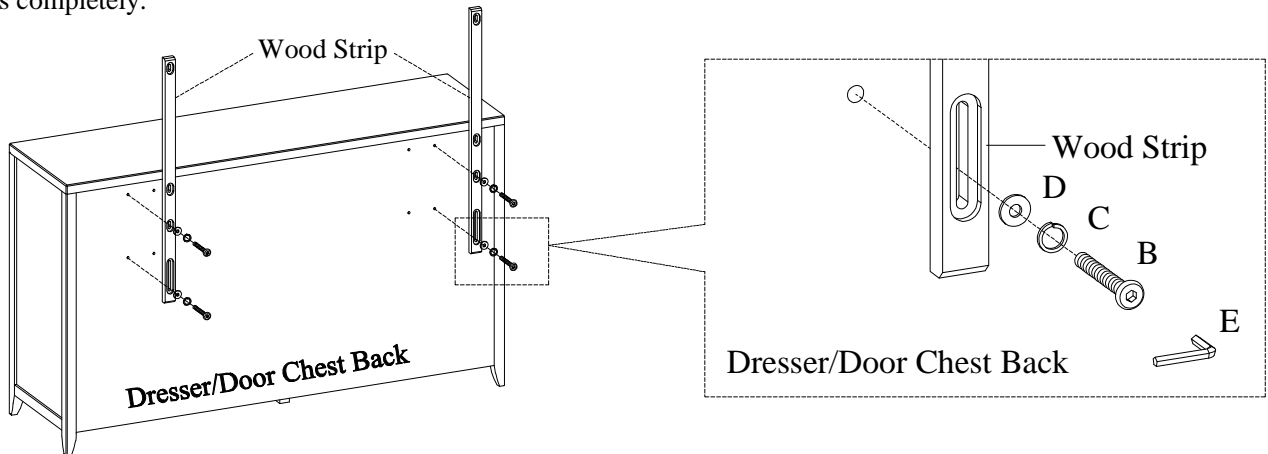
STEP 2: After attaching nail/hanger to wall, place wire over nail/hanger and slowly lower the mirror into place. Make sure the wire catches on the nail/hanger.

Note: Ensure the nail/hanger is in a wall stud or wall solid enough to support mirror.



FOR OPTION 2 (Dresser / Door Chest Mount)

STEP 1: Attach the wood strip to the dresser by using 4 bolts(B), lock washers(C), and flat washers(D). Do not tighten bolts completely.



STEP 2: Attach the wood strip to the mirror by using 4 bolts(A), lock washers(C), and flat washers(D). Tighten all bolts on dresser and mirror with Allen wrench.

