



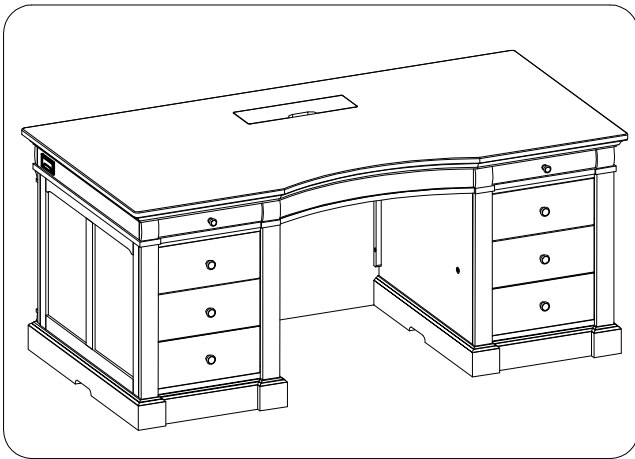
ITEM NO: I3184-300B 72" Executive Desk Base
I3184-300T 72" Executive Desk Top

Thank you for purchasing this quality product. Be sure to check all packing material carefully for small parts that may come loose inside the carton during shipment.

WARNING! Before using this product, please read, understand, and follow these instructions. Failure to follow each of these assembly instructions precisely may result in damage to the product and / or injury to the consumer.



UNIT SHOULD BE INSTALLED BY 2 OR MORE PERSONS.



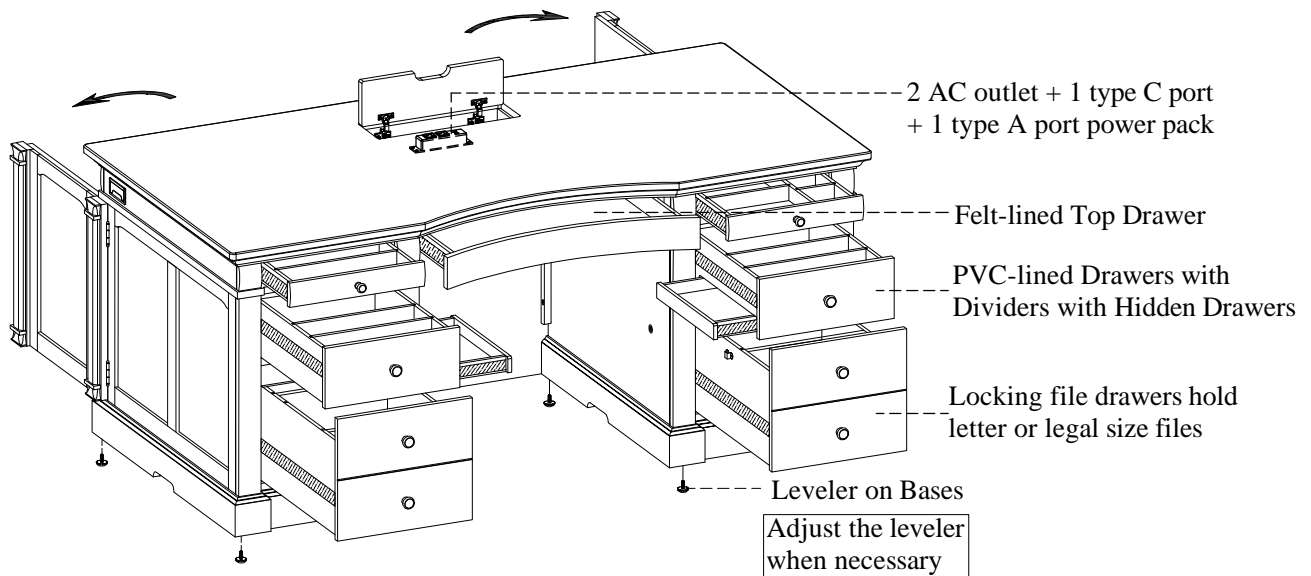
TOOLS REQUIRED (NOT PROVIDED)	
PHILLIPS SCREWDRIVER	

HARDWARE LIST: I3184-300B			
No.	Description	Sketch	Quantity
A	Bolt Ø1/4" x 1-3/8"		15 PCS
B	Lock Washer Ø1/4"		15 PCS
C	Flat Washer Ø1/4" x 3/4"		15 PCS
D	Allen Wrench 4mm		1 PC

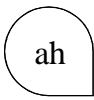
COMPONENTS LIST: I3184-300T			
No.	Description	Sketch	Quantity
1	Desk Top		1 PC

COMPONENTS LIST: I3184-300B			
No.	Description	Sketch	Quantity
1	Left Pedestal		1 PC
2	Right Pedestal		1 PC
3	Modesty Panel		1 PC

FUNCTIONALITY INSTRUCTION

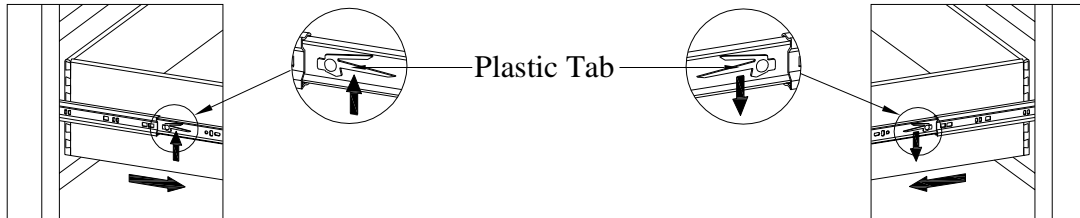


FOR INDOOR USE ONLY

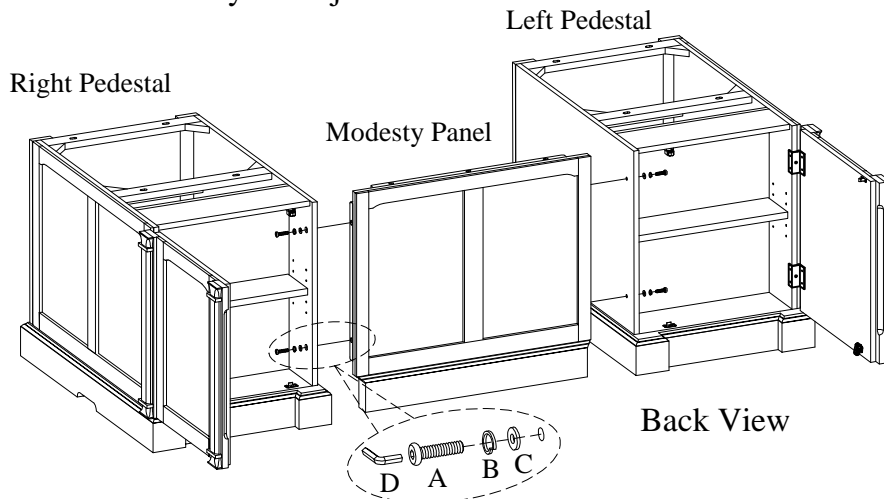


ITEM NO: I3184-300B 72" Executive Desk Base
I3184-300T 72" Executive Desk Top

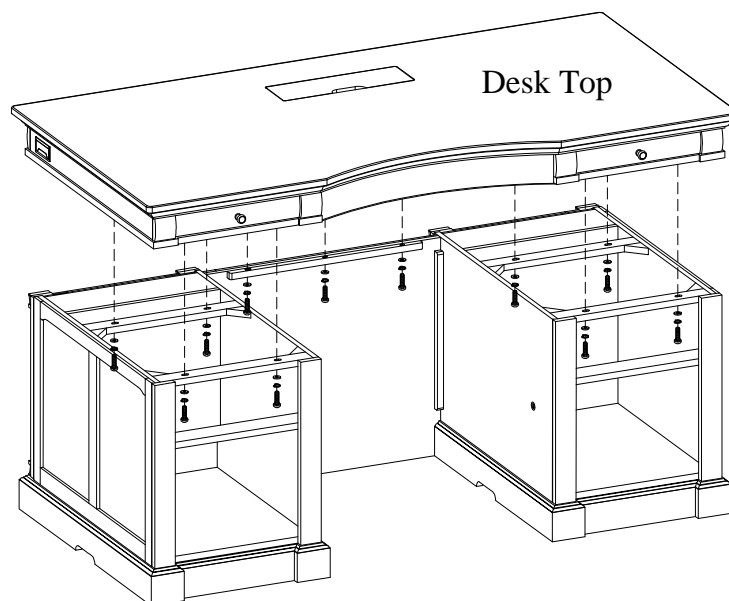
STEP 1: Remove the drawers from the pedestals: Fully extend the drawers, then press the plastic tab down on the right and up on the left at the same time as shown below. While holding the tabs pressed down/up, pull the drawers out.

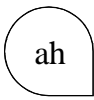


STEP 2: Open the doors and then attach the modesty panel to left pedestal and right pedestal by using 4 bolts (A), lock washers (B) and flat washers (C). Do not completely tighten bolts to allow some leeway for adjustment in STEP 3.



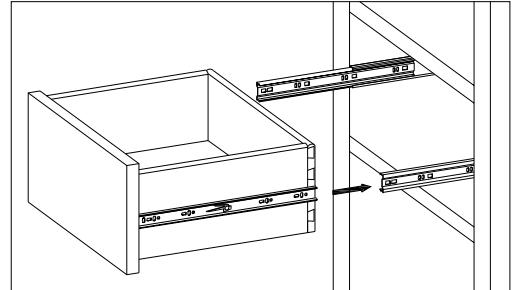
STEP 3: Attach the desk top to the desk base assembly by using 11 bolts (A), lock washers (B) and flat washers (C). Completely tighten all bolts used in Steps 2 and 3.





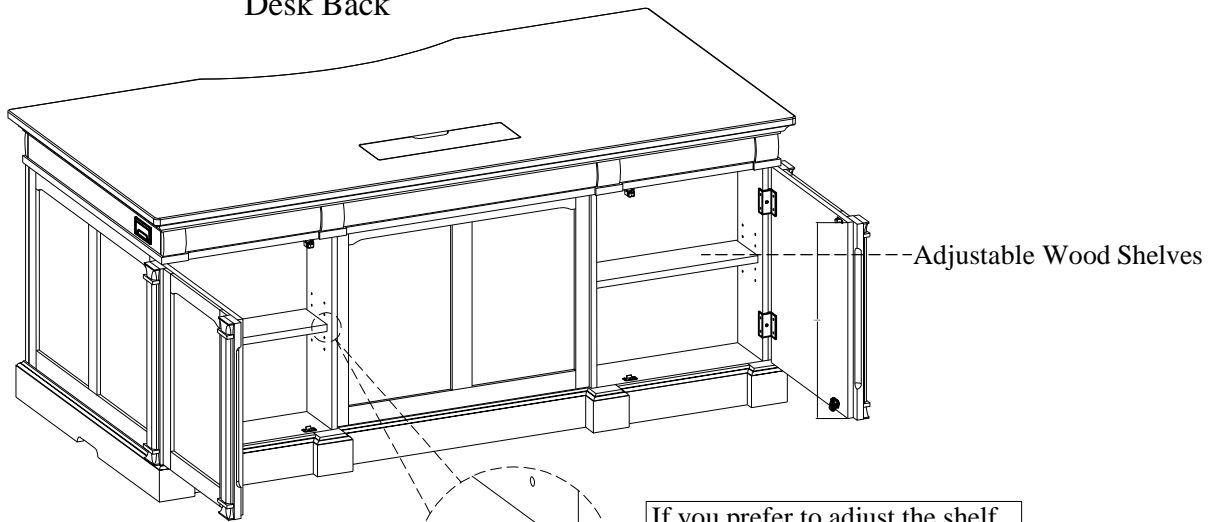
ITEM NO: I3184-300B 72" Executive Desk Base
I3184-300T 72" Executive Desk Top

STEP 4: Replace all of the drawers in pedestals: Fully extend the slides from the case. Then align the slides on the drawers to the slides on the pedestal as shown. Push the drawers back in. You may have to slide the drawers in and out several times in order to properly align the ball bearings.



FUNCTIONALITY INSTRUCTION

Desk Back

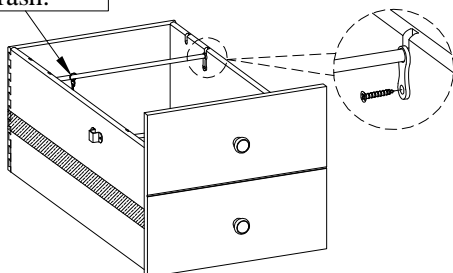


Adjustable Wood Shelves

If you prefer to adjust the shelf location, remove the screws and move shelf brackets to the desired location. Then secure the brackets to shelf with screws.

Keys for file lock.
Do not trash.

File Drawer



Remove the wood screws on the drawer sides of drawer box to remove the rod loops and file rods if necessary.