



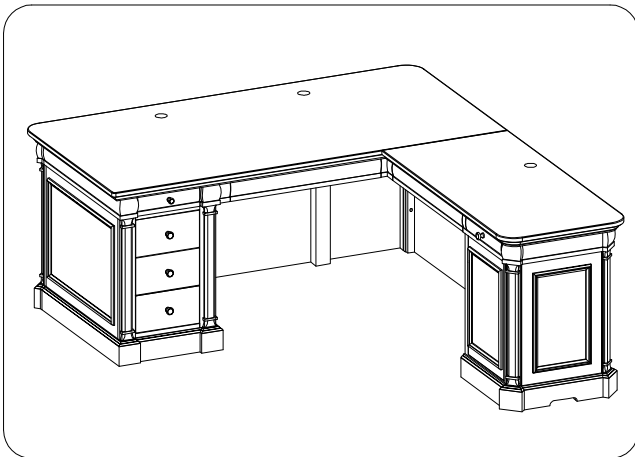
ITEM NO: I3184-305 72" Desk for -306 Return
I3184-306 Return for -305 Desk

Thank you for purchasing this quality product. Be sure to check all packing material carefully for small parts that may come loose inside the carton during shipment.

WARNING! Before using this product, please read, understand, and follow these instructions. Failure to follow each of these assembly instructions precisely may result in damage to the product and / or injury to the consumer.



UNIT SHOULD BE INSTALLED BY 2 OR MORE PERSONS.



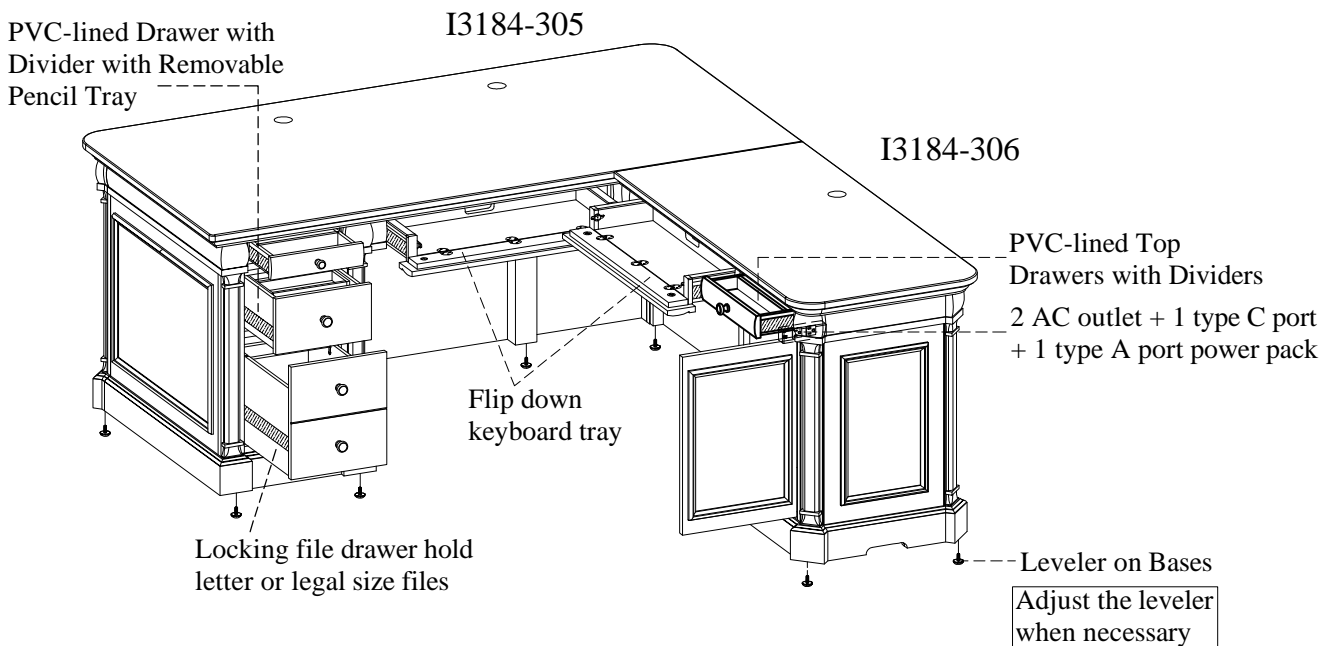
TOOLS REQUIRED (NOT PROVIDED)	
PHILLIPS SCREWDRIVER	

HARDWARE LIST: I3184-306			
No.	Description	Sketch	Quantity
A	Bolt Ø1/4" x 1-1/2"		6 PCS
B	Lock Washer Ø1/4"		6 PCS
C	Flat Washer Ø1/4" x 3/4"		6 PCS
D	Allen Wrench 4mm		1 PC

COMPONENTS LIST: I3184-305			
No.	Description	Sketch	Quantity
1	Desk		1 PC

COMPONENTS LIST: I3184-306			
No.	Description	Sketch	Quantity
1	Return		1 PC

FUNCTIONALITY INSTRUCTION



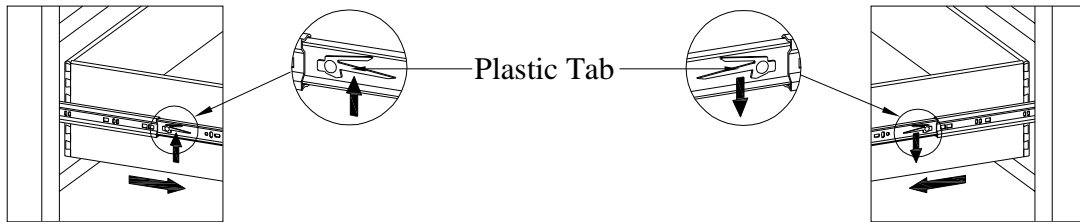
FOR INDOOR USE ONLY



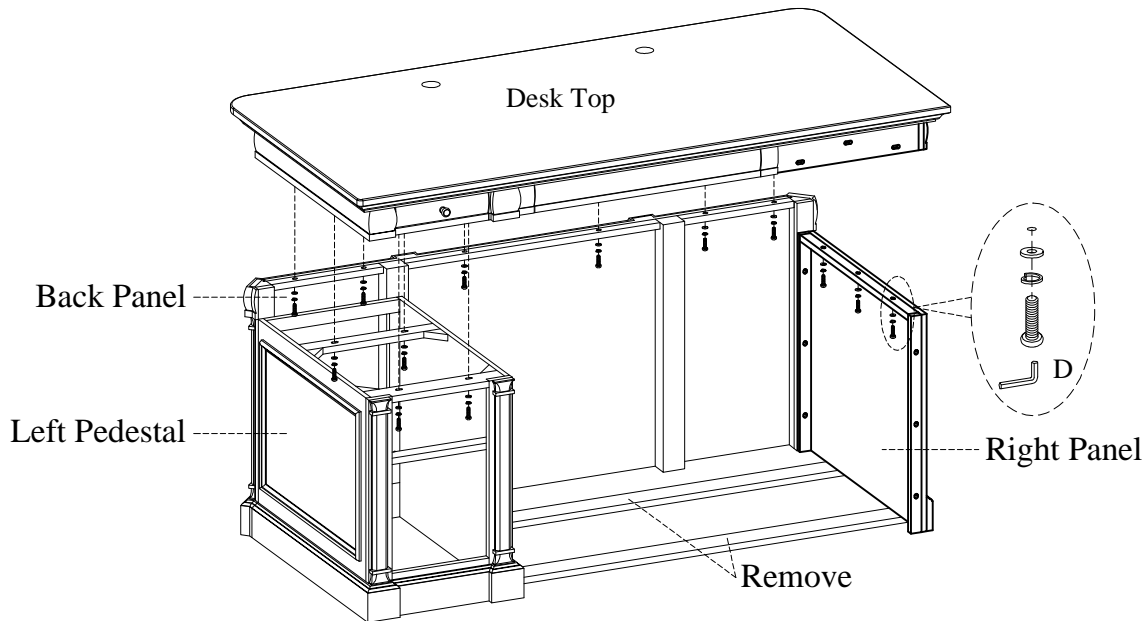
ITEM NO: I3184-305 72" Desk for -306 Return
I3184-306 Return for -305 Desk

To dis-assemble desk (If necessary):

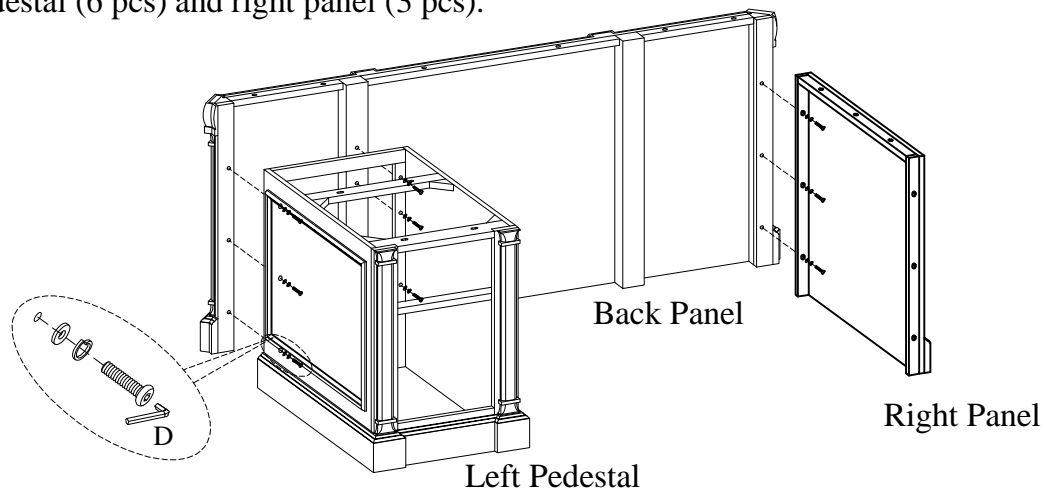
STEP 1: Remove the drawers from the pedestals: Fully extend the drawer, then press the plastic tab down on the right and up on the left at the same time as shown below. While holding the tabs pressed down/up, pull the drawer out.



STEP 2: Remove bolts, lock washers and flat washers from back panel (6 pcs), left pedestal (4 pcs) and right panel (3 pcs) connected to the desk top. Take the desk top off.



STEP 3: Remove bolts, lock washers and flat washers from left pedestal (6 pcs) and right panel (3 pcs).

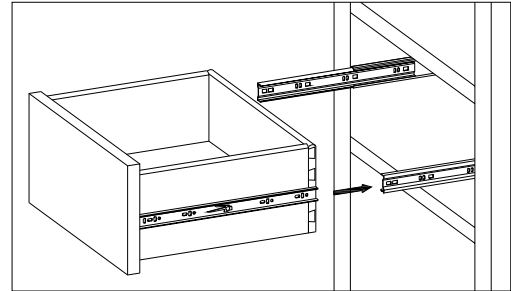




ITEM NO: I3184-305 72" Desk for -306 Return
I3184-306 Return for -305 Desk

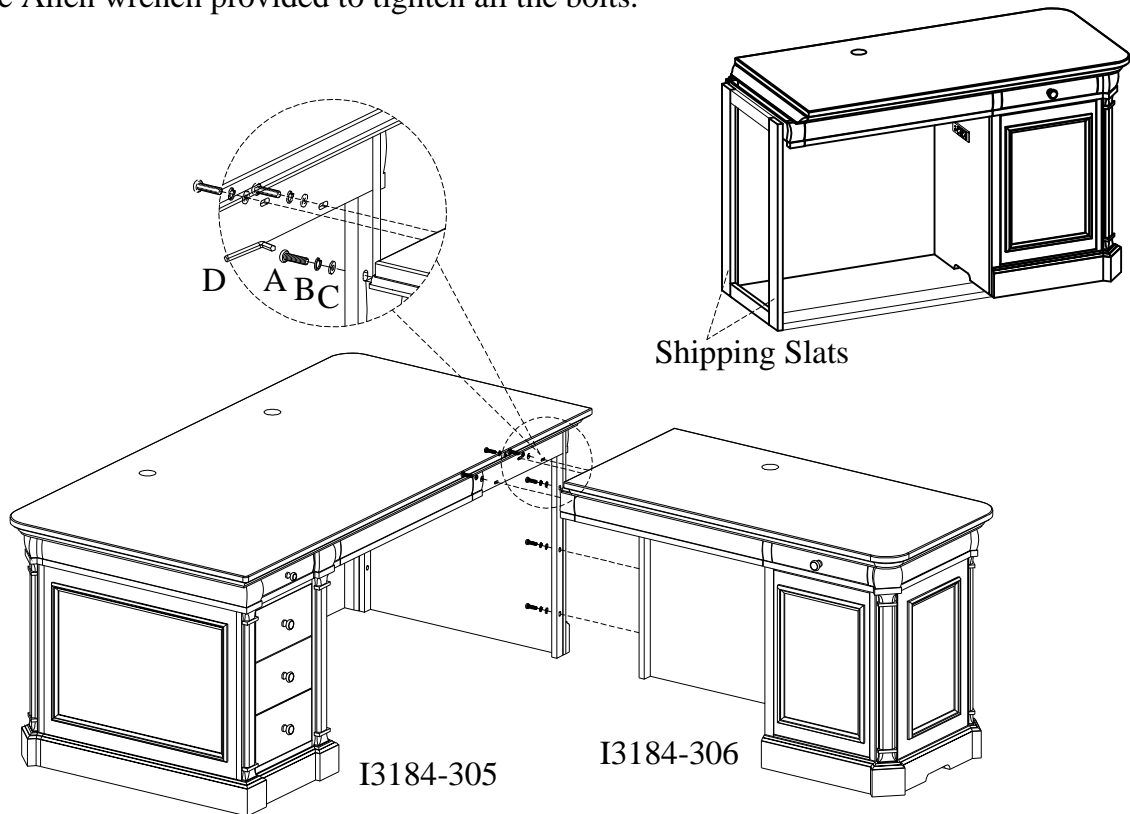
Notes: To reassemble desk, replace bolts removed in STEP 3 then STEP 2 above before proceeding to STEP 4 below.

STEP 4: Replace all of the drawers in pedestals:
Fully extend the slides from the case. Then align the slides on the drawer to the slides on the case as shown. Push the drawer back in. You may have to slide the drawer in and out several times in order to properly align the ball bearings.



STEP 5-1: Remove the shipping slats for return as shown below.

STEP 5-2: Attached the return to desk by using 6 bolts (A), lock washers (B), flat washers (C). Use the Allen wrench provided to tighten all the bolts.



Remove the wood screws on the drawer sides of drawer box to remove the rod loops and file rods if necessary.

File Drawer

