

# ASSEMBLY INSTRUCTIONS



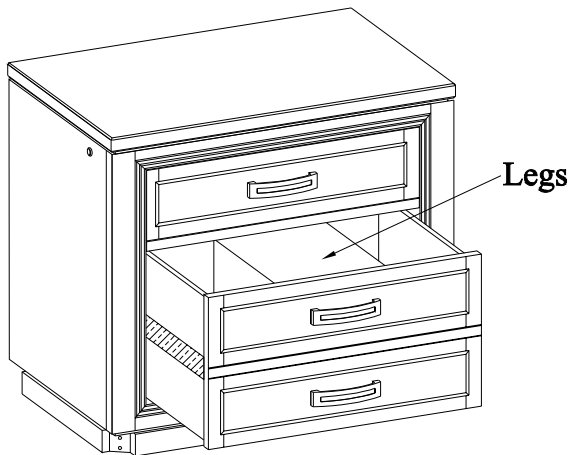
## aspenhome®

Distributed by Furniture Values International, LLC

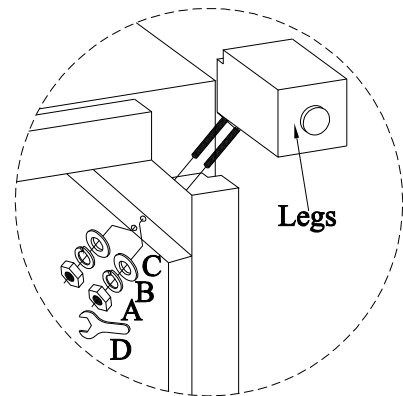


ITEM NO: I32-450 Liv.360 Nightstand

HARDWARE LIST			COMPONENT LIST	
A	Nut (Ø5/16")	8 Pcs	Legs	4 Pcs
B	Lock Washer (Ø5/16")	8 Pcs		
C	Flat Washer (Ø5/16"*3/4")	8 Pcs		
D	Hex Wrench	1 Pc		

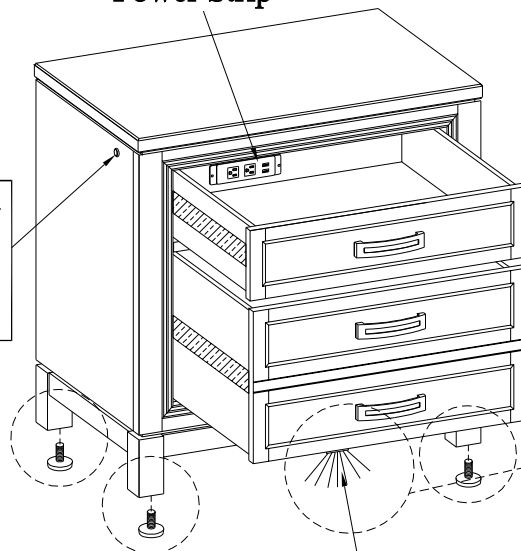


Detail 1

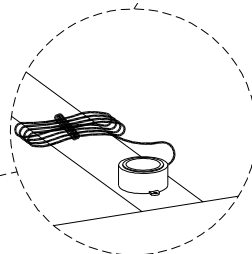


Power Strip

Push the touch switch on either side to turn on or turn off and adjust the lighting.



Remove the power cord from the bottom of the case. Remove the twist ties.



LED Puck Light

Adjust the leveler when necessary

### ASSEMBLY STEP:

1. Place the case backside down on a padded area.
2. Attach legs to the case using nuts, lock washers and flat washers. Use the hex wrench to tighten all the nuts. See detail 1.
3. Turn the case to the upright position.
4. Pick up the unit when moving it or installing & removing the legs. Make sure do not slide the unit on carpet or on tile, or the legs will be stressed and broken loose