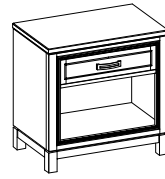


# ASSEMBLY INSTRUCTIONS



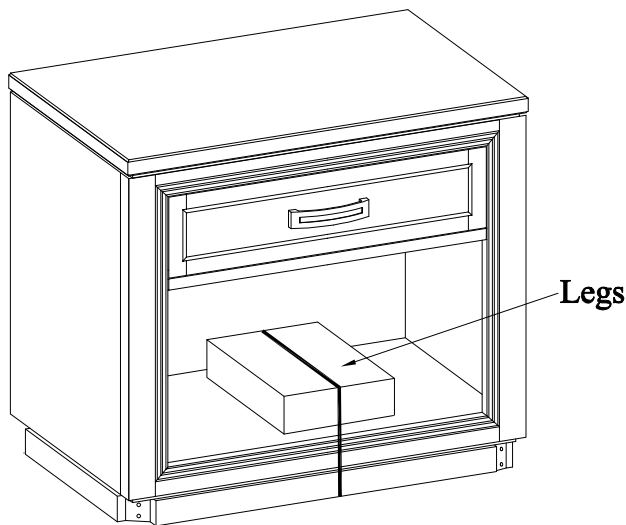
## aspenhome®

Distributed by Furniture Values International, LLC

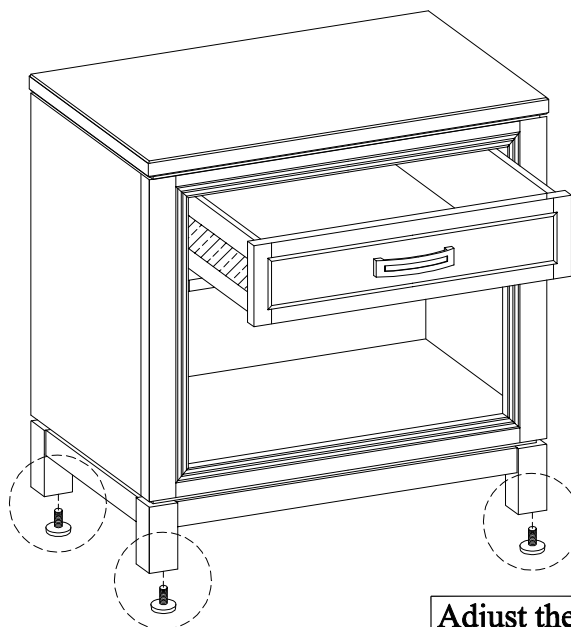
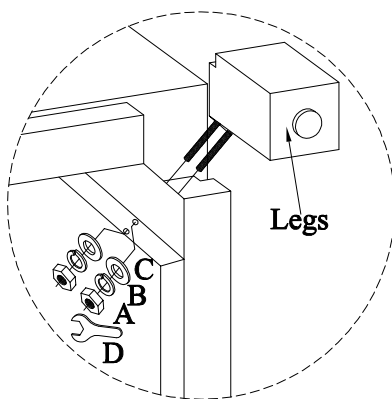


ITEM NO: I32-451N Nightstand

HARDWARE LIST			COMPONENT LIST	
A	Nut (Ø5/16")	8 Pcs	Legs	4 Pcs
B	Lock Washer (Ø5/16")	8 Pcs		
C	Flat Washer (Ø5/16"*3/4")	8 Pcs		
D	Hex Wrench	1 Pc		



Detail 1



Adjust the leveler  
when necessary

### ASSEMBLY STEP:

1. Place the case backside down on a padded area.
2. Attach legs to the case using nuts, lock washers and flat washers. Use the hex wrench to tighten all the nuts. See detail 1.
3. Turn the case to the upright position.
4. Pick up the unit when moving it or installing & removing the legs. Make sure do not slide the unit on carpet or on tile, or the legs will be stressed and broken loose.

MADE IN VIETNAM