

ASSEMBLY INSTRUCTIONS



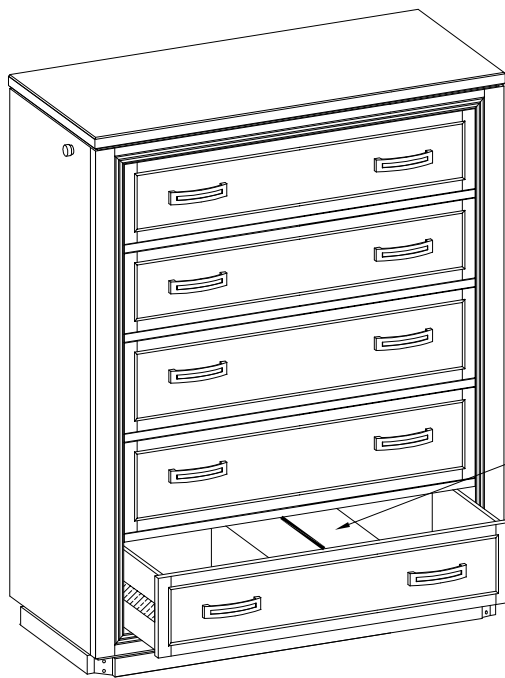
aspenhome®

Distributed by Furniture Values International, LLC



ITEM NO: I32-456 Chest

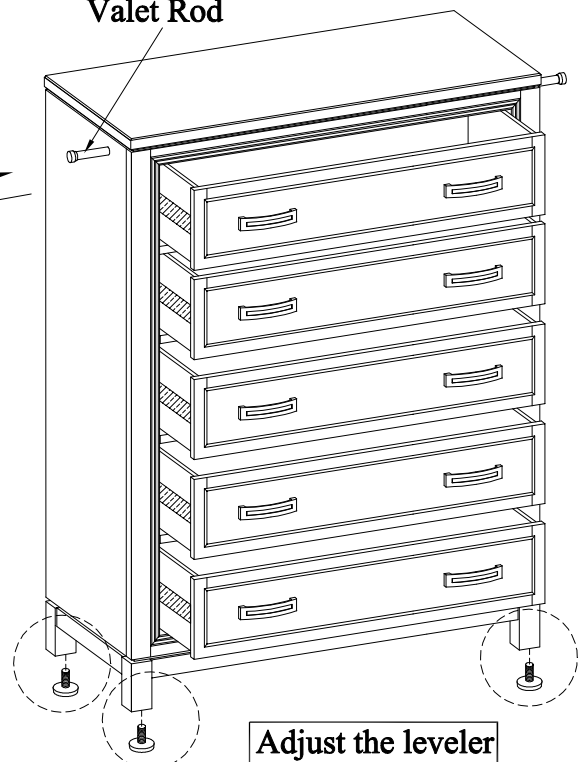
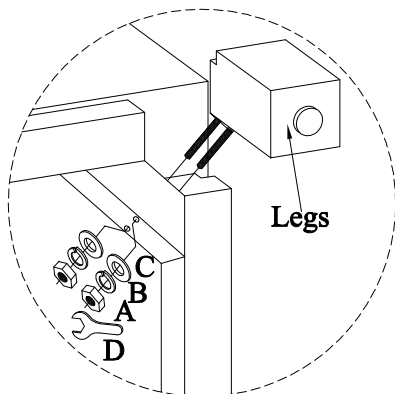
HARDWARE LIST			COMPONENT LIST	
A	Nut (Ø5/16")	8 Pcs	Legs	4 Pcs
B	Lock Washer (Ø5/16")	8 Pcs		
C	Flat Washer (Ø5/16"*3/4")	8 Pcs		
D	Hex Wrench	1 Pc		



Legs

Valet Rod

Detail 1



Adjust the leveler when necessary

ASSEMBLY STEP:

1. Place the case backside down on a padded area.
2. Attach legs to the case using nuts, lock washers and flat washers. Use the hex wrench to tighten all the nuts. See detail 1.
3. Turn the case to the upright position.
4. Pick up the unit when moving it or installing & removing the legs. Make sure do not slide the unit on carpet or on tile, or the legs will be stressed and broken loose.

MADE IN VIETNAM