

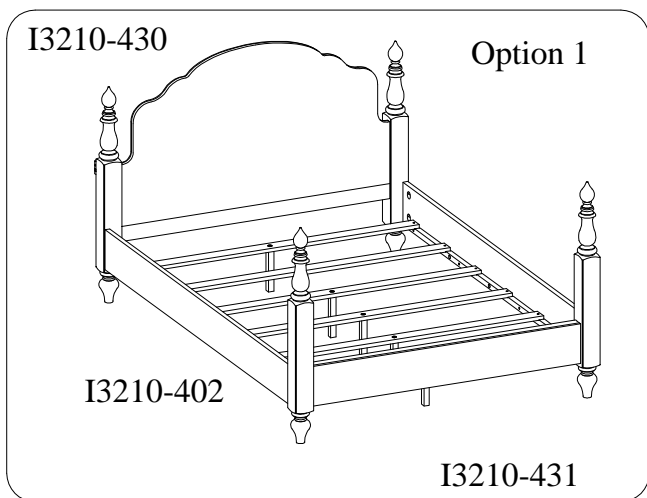
ITEM NO: I3210-430-BCK Queen Poster HB  
 I3210-431-BCK Queen Poster FB  
 I3210-402-BCK Queen Side Rails

Thank you for purchasing this quality product. Be sure to check all packing material carefully for small parts that may come loose inside the carton during shipment.

**WARNING!** Before using this product, please read, understand, and follow these instructions. Failure to follow each of these assembly instructions precisely may result in damage to the product and / or injury to the consumer.

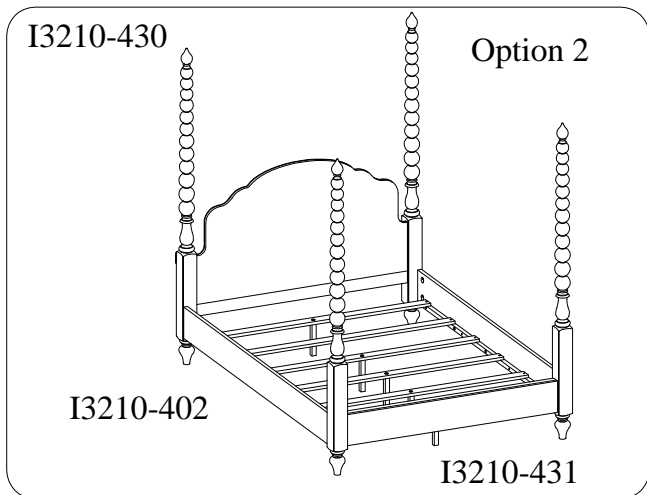


**UNIT SHOULD BE INSTALLED BY 2 OR MORE PERSONS.**



TOOLS REQUIRED (NOT PROVIDED)	
PHILLIPS SCREWDRIVER	

All Beds need to be set up in the exact final location so that after full assembly it will not need to be moved. Moving the bed will cause the support legs to move out of perpendicular (90 degree), weaken the support system, and may allow the bed to collapse.



COMPONENTS LIST: I3210-430			
No.	Description	Sketch	Quantity
1	Headboard (HB)		1 PC
2	Post		2 PCS
3	Finial		2 PCS

COMPONENTS LIST: I3210-402			
No.	Description	Sketch	Quantity
1	Bed rails		2 PCS
2	Slats		6 PCS

HARDWARE LIST: I3210-402			
No.	Description	Sketch	Quantity
A	Hanger Bolt Ø5/16" x 4"		8 PCS
B	Half Moon Washer Ø5/16"		8 PCS
C	Hex Nut Ø5/16"		8 PCS
D	Hex Wrench 13mm		1 PC
E	Wood Screw M4 x 1-1/4"		12 PCS

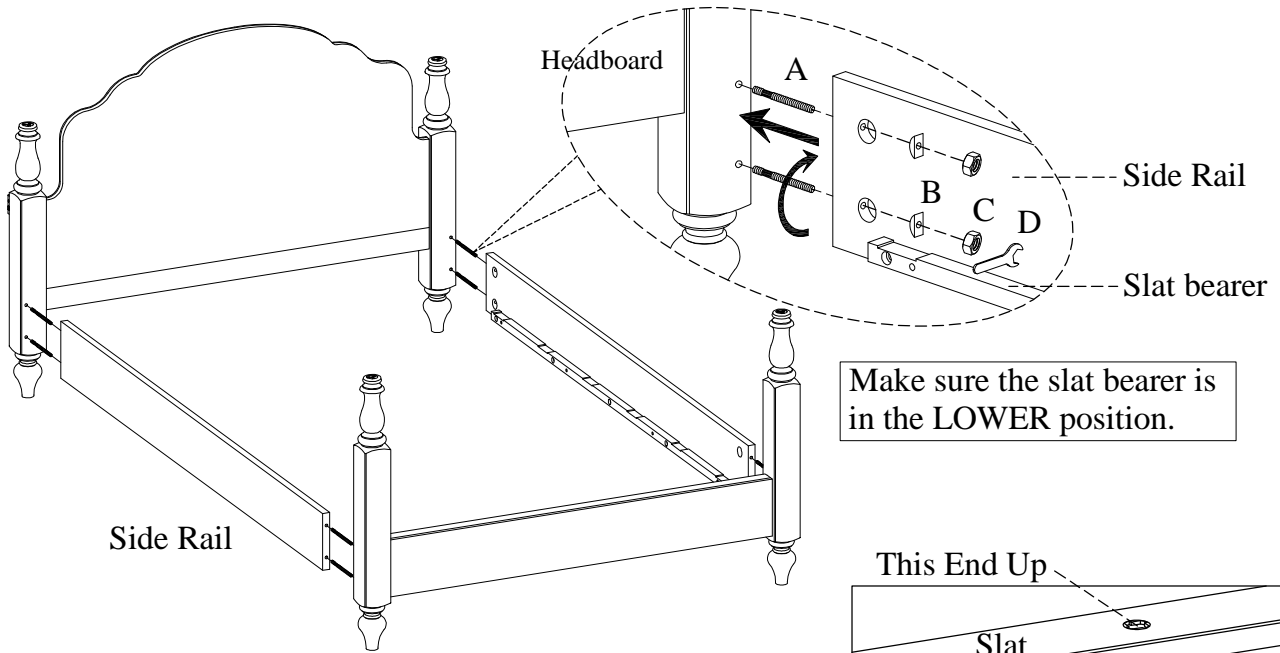
COMPONENTS LIST: I3210-431			
No.	Description	Sketch	Quantity
1	Footboard (FB)		1 PC
2	Post		2 PCS
3	Finial		2 PCS
4	Support Leg (for slats)		6 PCS

FOR INDOOR USE ONLY

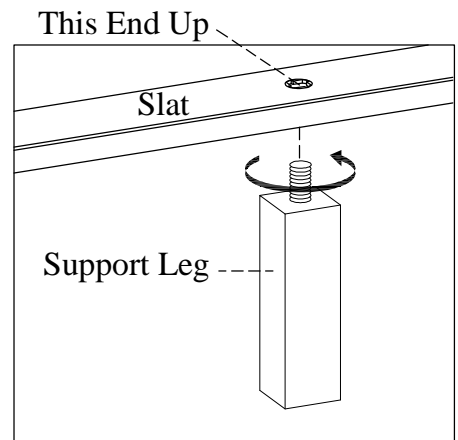


ITEM NO: I3210-430-BCK Queen Poster HB  
 I3210-431-BCK Queen Poster FB  
 I3210-402-BCK Queen Side Rails

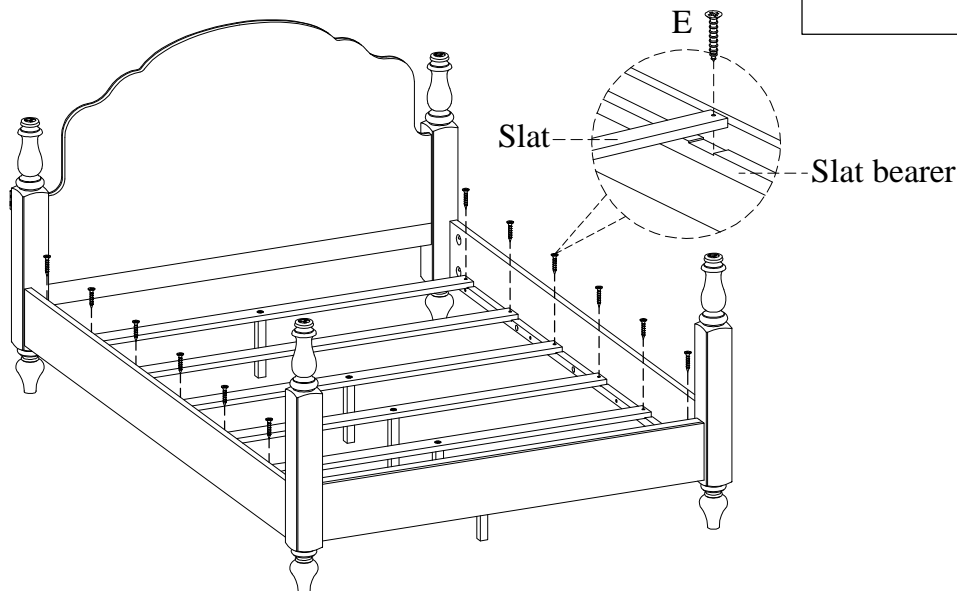
**STEP 1:** Screw the bolts (A) into HB & FB. Make sure the slat bearer is in the LOWER position. Align the bolts with the holes in the end of side rails and attach the side rails to HB & FB using half moon washers (B) and nuts (C). Then use a hex wrench to tighten all nuts.



**STEP 2:** Attach the support legs to the slats as shown right.



**STEP 3:** Arrange slats on the slat bearers. Make sure the slats are placed within the notches of each bearer and secured completely with wood screws (E).

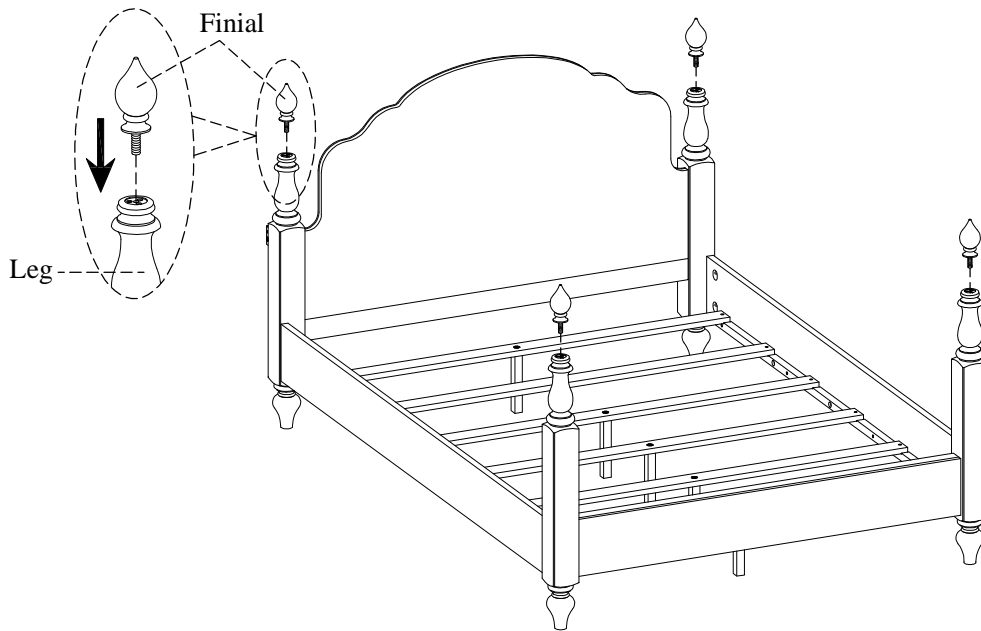




ITEM NO: I3210-430-BCK Queen Poster HB  
I3210-431-BCK Queen Poster FB  
I3210-402-BCK Queen Side Rails

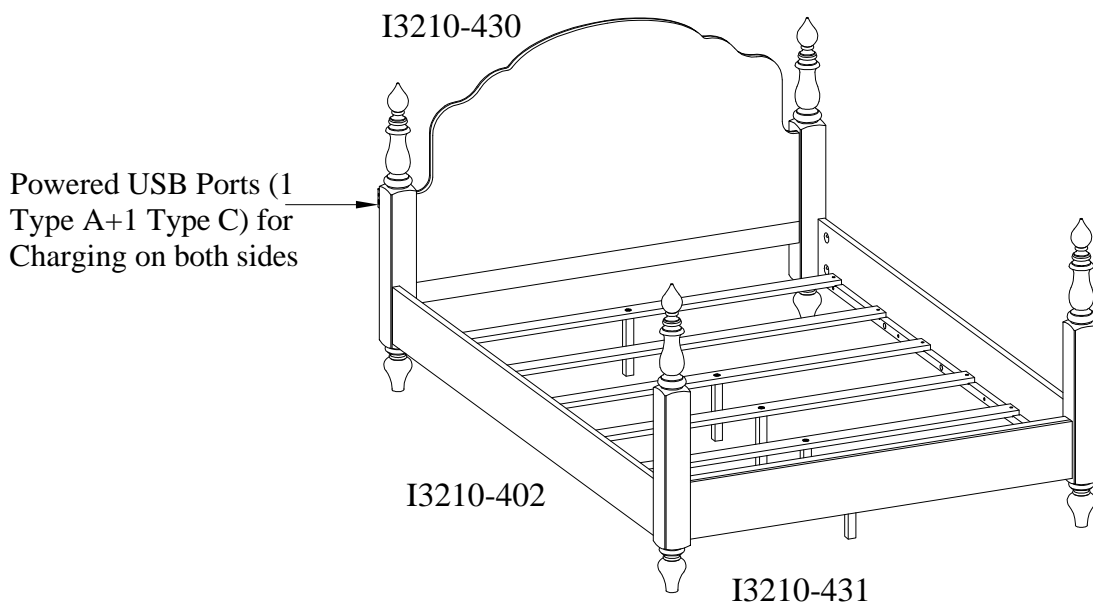
### FOR OPTION 1:

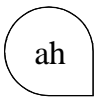
STEP 4: Attach the finials to legs as shown below.



### FUNCTIONALITY INSTRUCTION

#### OPTION 1:

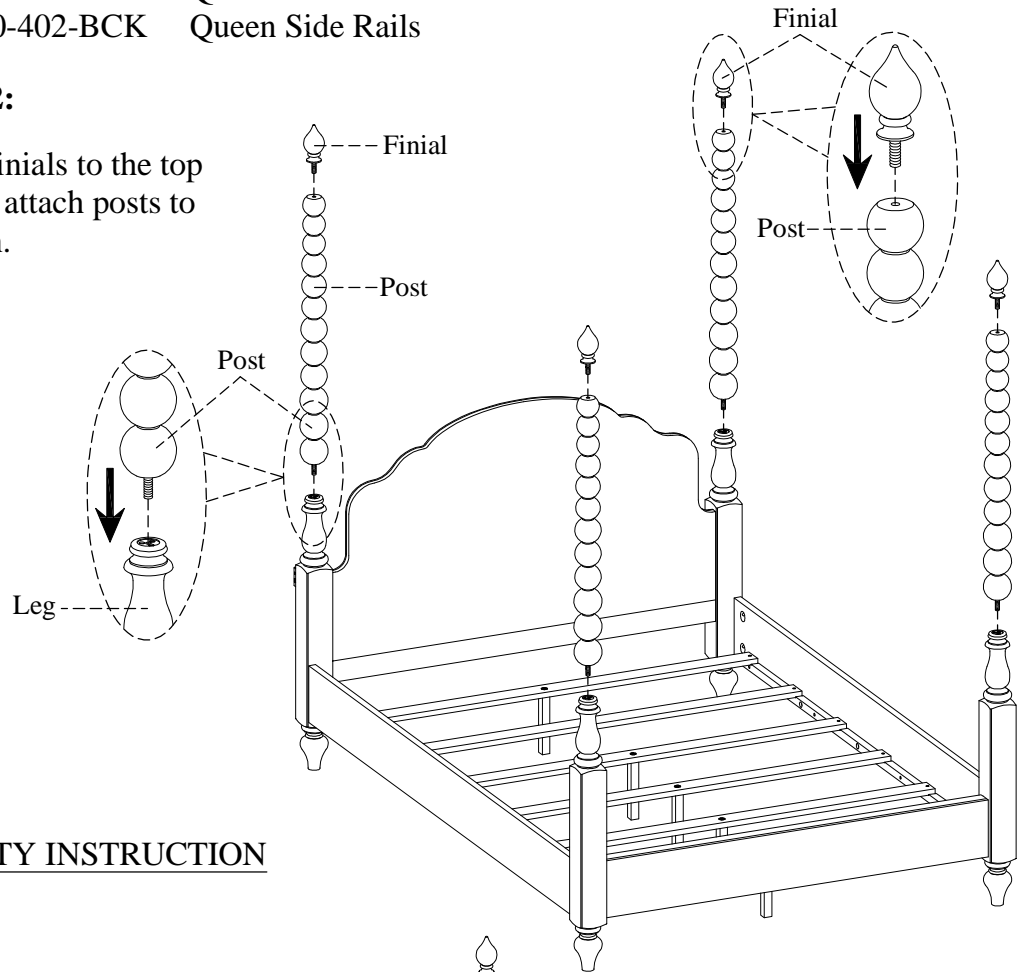




ITEM NO: I3210-430-BCK Queen Poster HB  
 I3210-431-BCK Queen Poster FB  
 I3210-402-BCK Queen Side Rails

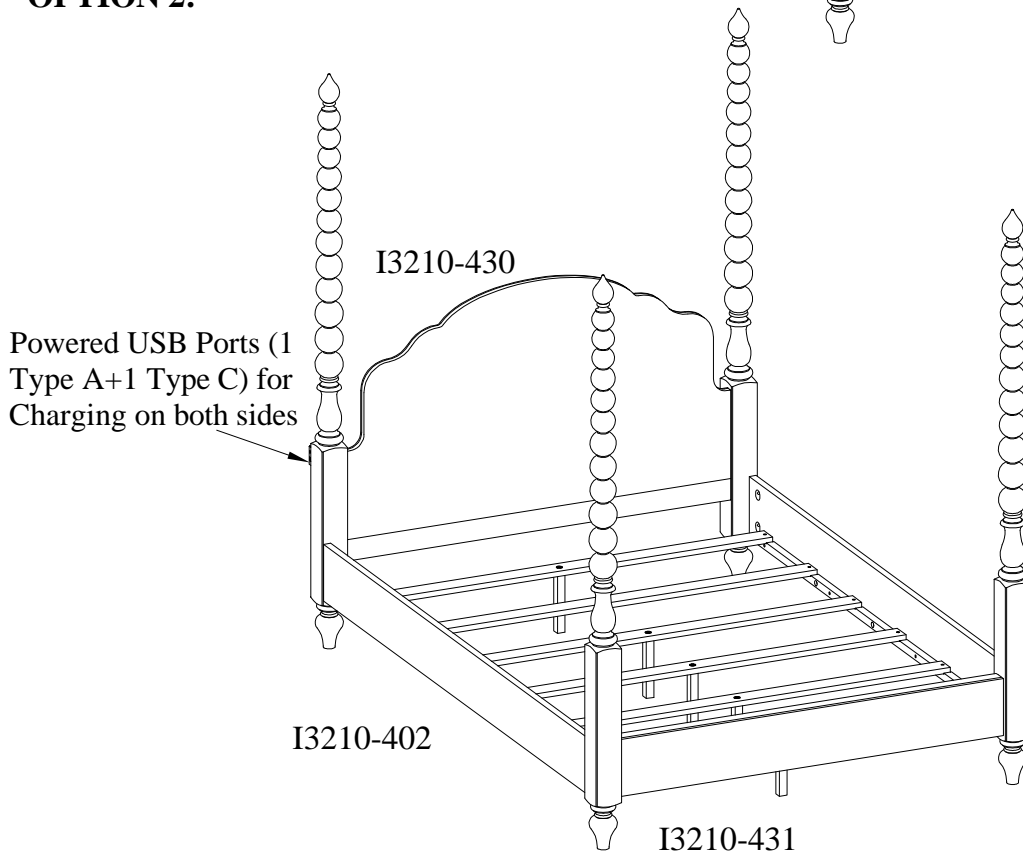
### FOR OPTION 2:

**STEP 4:** Attach finials to the top of the posts, then attach posts to the legs as shown.



### FUNCTIONALITY INSTRUCTION

#### OPTION 2:





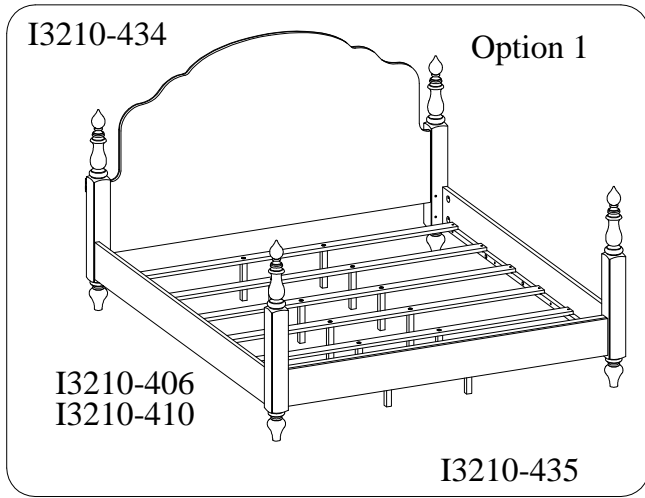
- ITEM NO: I3210-434-BCK King Poster HB  
 I3210-435-BCK King Poster FB  
 I3210-406-BCK King Side Rails  
 I3210-410-BCK Cal King Side Rails

Thank you for purchasing this quality product. Be sure to check all packing material carefully for small parts that may come loose inside the carton during shipment.

**WARNING!** Before using this product, please read, understand, and follow these instructions. Failure to follow each of these assembly instructions precisely may result in damage to the product and / or injury to the consumer.

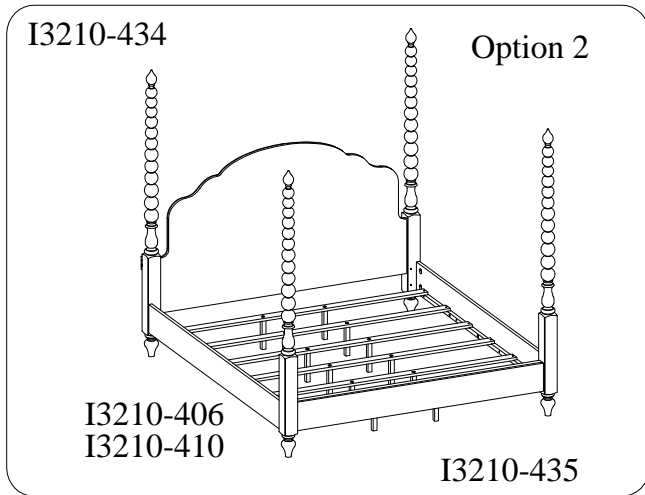


UNIT SHOULD BE INSTALLED BY 2 OR MORE PERSONS.



TOOLS REQUIRED (NOT PROVIDED)	
PHILLIPS SCREWDRIVER	

All Beds need to be set up in the exact final location so that after full assembly it will not need to be moved. Moving the bed will cause the support legs to move out of perpendicular (90 degree), weaken the support system, and may allow the bed to collapse.



COMPONENTS LIST: I3210-434			
No.	Description	Sketch	Quantity
1	Headboard (HB)		1 PC
2	Post		2 PCS
3	Finial		2 PCS

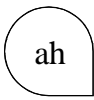
COMPONENTS LIST: I3210-406			
No.	Description	Sketch	Quantity
1	Bed rails		2 PCS
2	Slats		6 PCS

COMPONENTS LIST: I3210-410			
No.	Description	Sketch	Quantity
1	Bed rails		2 PCS
2	Slats		6 PCS

HARDWARE LIST: I3210-406/410			
No.	Description	Sketch	Quantity
A	Hanger Bolt Ø5/16" x 4"		8 PCS
B	Half Moon Washer Ø5/16"		8 PCS
C	Hex Nut Ø5/16"		8 PCS
D	Hex Wrench 13mm		1 PC
E	Wood Screw M4 x 1-1/4"		12 PCS
F	Wood Cap		8 PCS

COMPONENTS LIST: I3210-435			
No.	Description	Sketch	Quantity
1	Footboard (FB)		1 PC
2	Post		2 PCS
3	Finial		2 PCS
4	Support Leg (for slats)		12 PCS

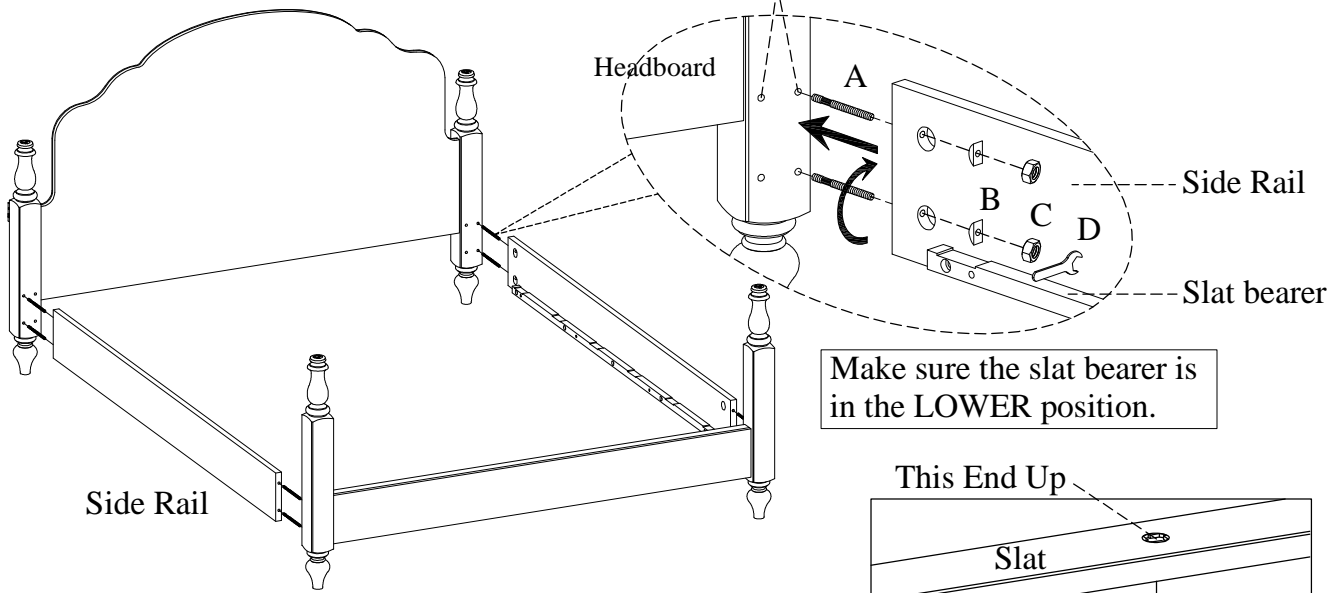
FOR INDOOR USE ONLY



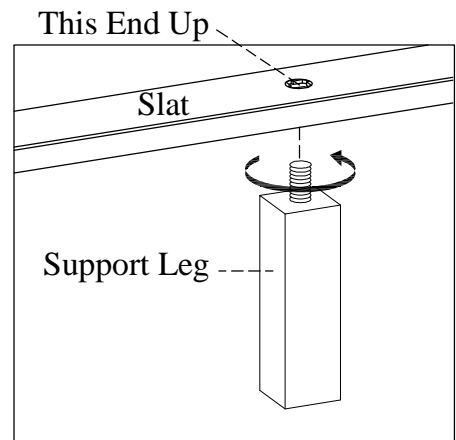
- ITEM NO: I3210-434-BCK King Poster HB
- I3210-435-BCK King Poster FB
- I3210-406-BCK King Side Rails
- I3210-410-BCK Cal King Side Rails

**STEP 1:** Screw the bolts (A) into HB & FB. Make sure the slat bearer is in the LOWER position. Align the bolts with the holes in the end of side rails and attach the side rails to HB & FB using half moon washers (B) and nuts (C). Then use a hex wrench to tighten all nuts.

The outside holes match to 6/6 standard king rails, the inside holes match to 6/0 Cal king bed rails.

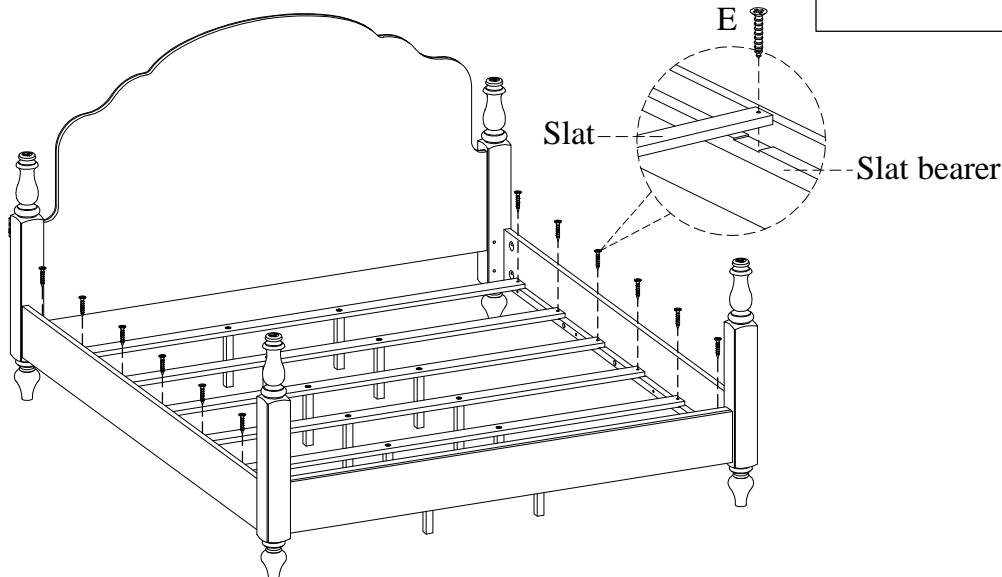


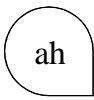
Make sure the slat bearer is in the LOWER position.



**STEP 2:** Attach the support legs to the slats as shown right.

**STEP 3:** Arrange slats on the slat bearers. Make sure the slats are placed within the notches of each bearer and secured completely with wood screws (E).

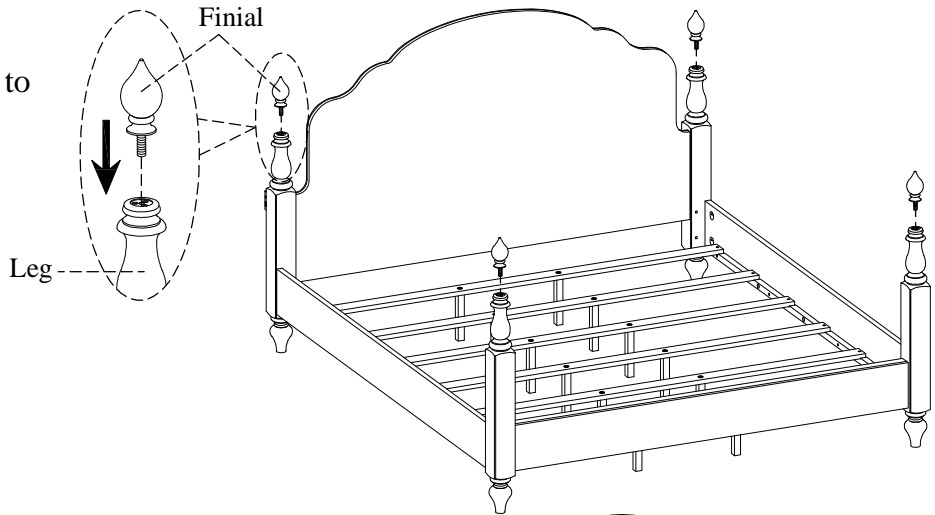




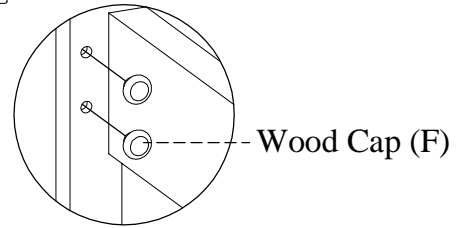
ITEM NO: I3210-434-BCK King Poster HB  
 I3210-435-BCK King Poster FB  
 I3210-406-BCK King Side Rails  
 I3210-410-BCK Cal King Side Rails

### FOR OPTION 1:

**STEP 4:** Attach the finials to legs as shown right.



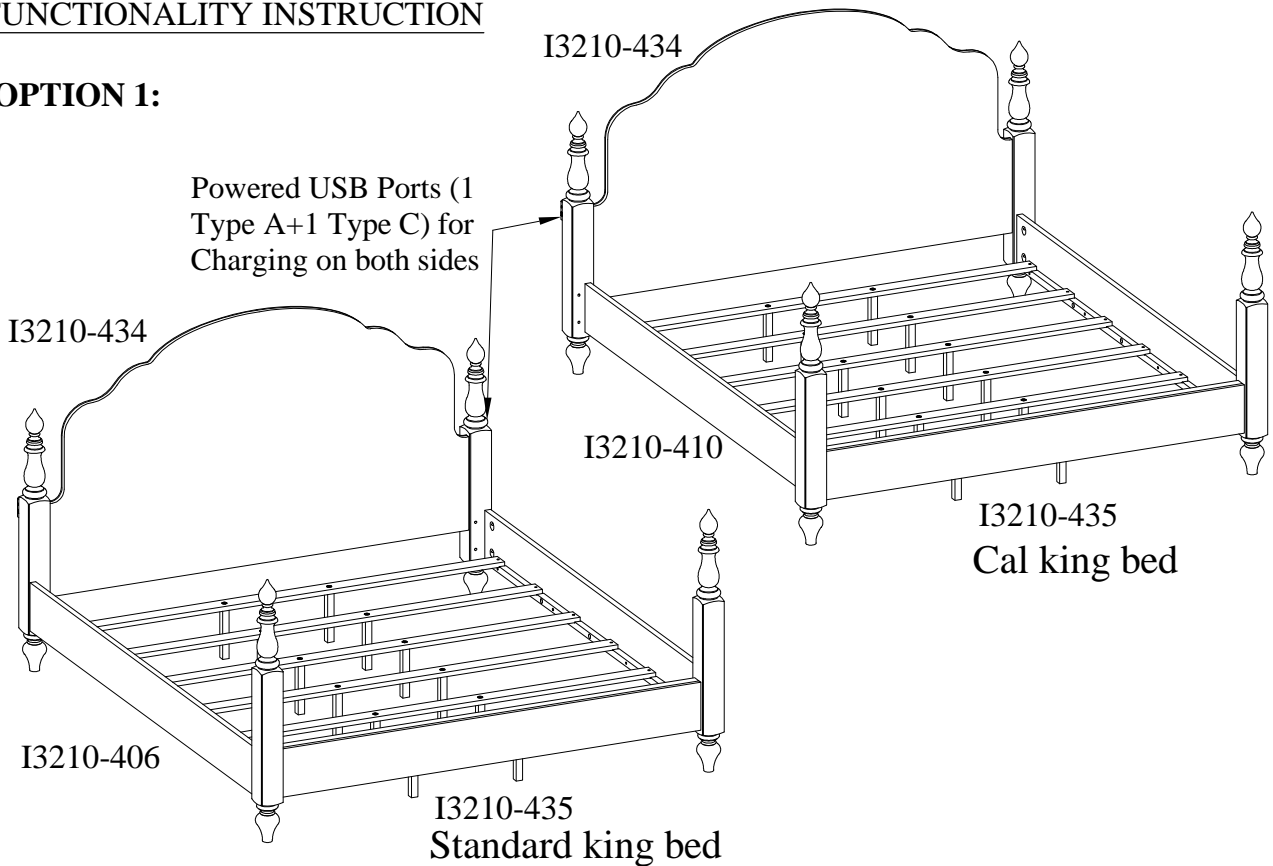
**STEP 5:** For Cal King bed, insert wood caps into the holes on headboard and footboard. For regular King bed, skip this step.

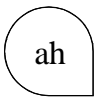


### FUNCTIONALITY INSTRUCTION

#### OPTION 1:

Powered USB Ports (1 Type A+1 Type C) for Charging on both sides

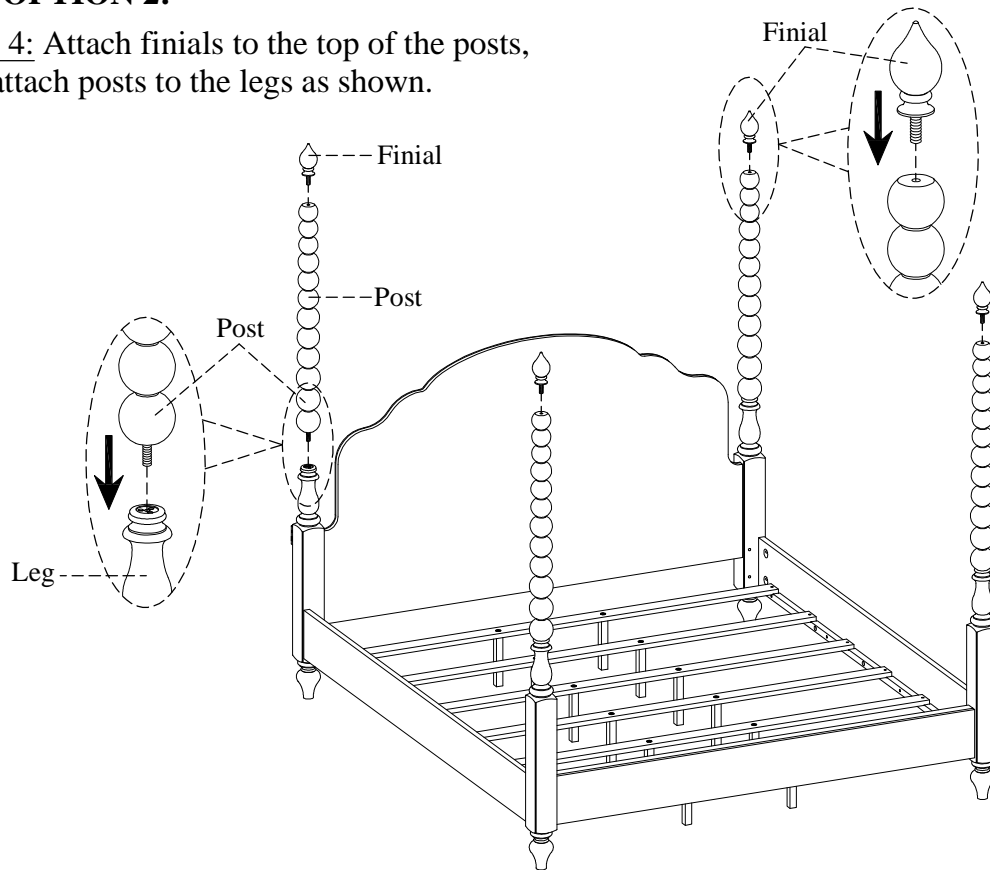




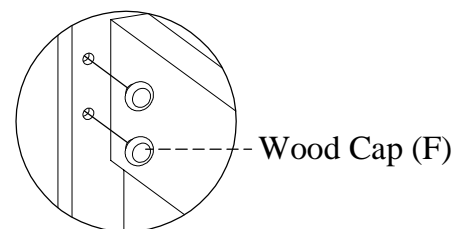
ITEM NO: I3210-434-BCK King Poster HB  
I3210-435-BCK King Poster FB  
I3210-406-BCK King Side Rails  
I3210-410-BCK Cal King Side Rails

### FOR OPTION 2:

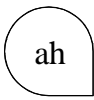
**STEP 4:** Attach finials to the top of the posts, then attach posts to the legs as shown.



**STEP 5:** For Cal King bed, insert wood caps into the holes on headboard and footboard. For regular King bed, skip this step.







- ITEM NO: I3210-434-BCK King Poster HB  
 I3210-435-BCK King Poster FB  
 I3210-406-BCK King Side Rails  
 I3210-410-BCK Cal King Side Rails

### FUNCTIONALITY INSTRUCTION

#### **OPTION 2:**

