

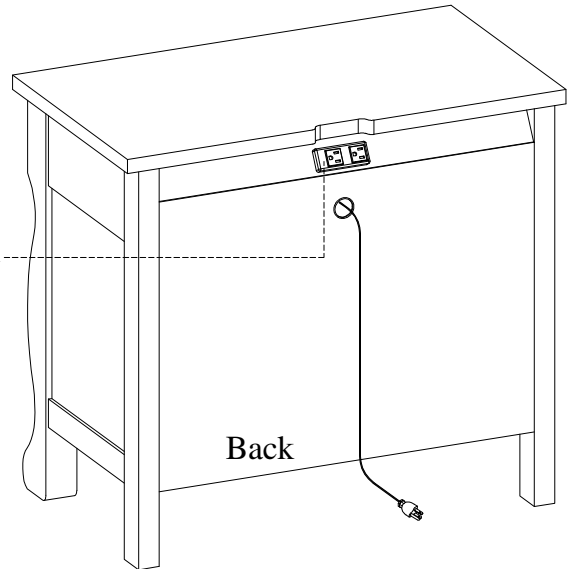
ITEM NO: I3210-450-BCK Liv360 Nightstand

Thank you for purchasing this quality product. Be sure to check all packing material carefully for small parts that may come loose inside the carton during shipment.

WARNING! Before using this product, please read, understand, and follow these instructions. Failure to follow each of these assembly instructions precisely may result in damage to the product and / or injury to the consumer.



TOOLS REQUIRED (NOT PROVIDED)
PHILLIPS SCREWDRIVER

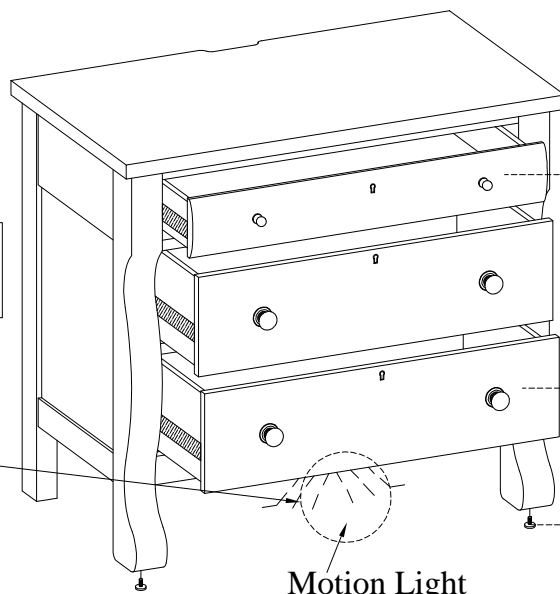
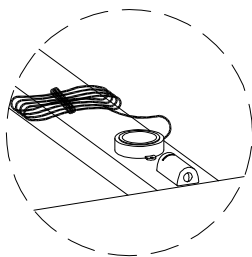


2 AC outlet Power Pack

Back

FUNCTIONALITY INSTRUCTION

Remove the power cord from the bottom of the case. Remove the twist ties.



Felt-lined Top Drawer

Locking, Cedar-lined Bottom Drawer

Leveler on Front Legs

Motion Light

Adjust the leveler when necessary

FOR INDOOR USE ONLY

PIR-11U05 - Motion Light

(1) Basic Product Specifications

1. Sensing Distance: 0.7~3m
2. LED Time Delay: 25 Seconds
3. Angle Coverage: 120°

(2) Slide switch ON/OFF user manual

1. Slide switch off (default) - Disable Ambient Light Detection
The PIR sensor stays activated continuously.



2. Slide switch on - Enable Ambient Light Detection
When ambient light is detected, the PIR sensor does not activate.

