



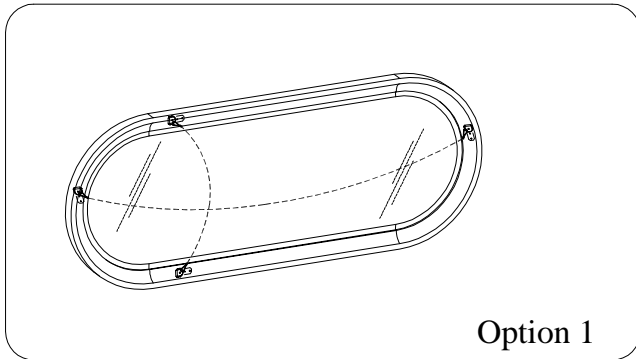
ITEM NO: I3210-466-BCK Oval Mirror

Thank you for purchasing this quality product. Be sure to check all packing material carefully for small parts that may come loose inside the carton during shipment.

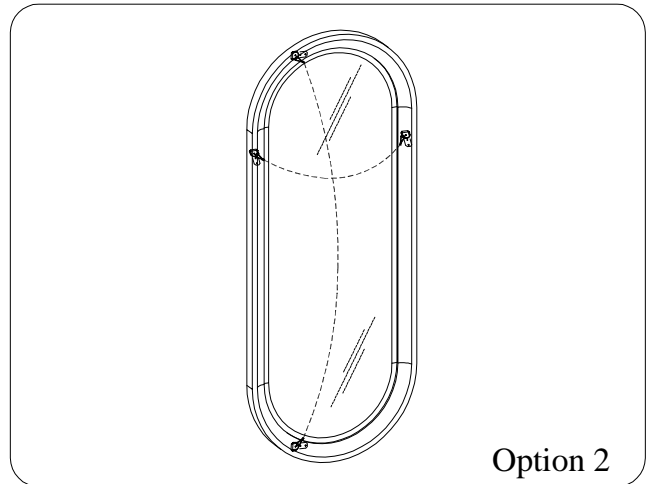
WARNING! Before using this product, please read, understand, and follow these instructions. Failure to follow each of these assembly instructions precisely may result in damage to the product and / or injury to the consumer.



UNIT SHOULD BE INSTALLED BY 2 OR MORE PERSONS.



Option 1



Option 2

TOOLS REQUIRED (NOT PROVIDED)

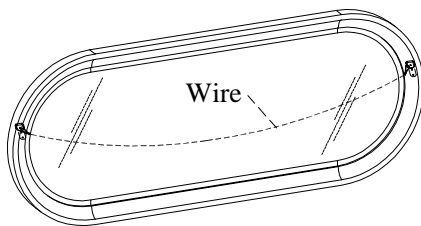
PHILLIPS SCREWDRIVER

FOR (Wall Mount)

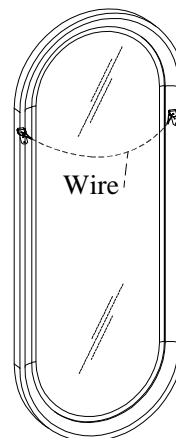
STEP 1: After attaching nail/hanger to wall (see note below), set the mirror for "Option 1" or "Option 2". Place wire over nail/hanger and slowly lower the mirror into place. Make sure the wire catches on the nail/hanger.

Note: Ensure the nail/hanger is in a wall stud or wall solid enough to support mirror.

Option 1



Option 2



FOR INDOOR USE ONLY