

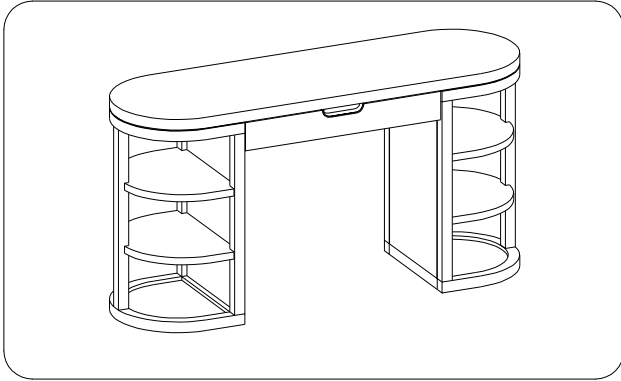
ITEM NO: I3224-9150 Sofa Writing Table

Thank you for purchasing this quality product. Be sure to check all packing material carefully for small parts that may come loose inside the carton during shipment.

WARNING! Before using this product, please read, understand, and follow these instructions. Failure to follow each of these assembly instructions precisely may result in damage to the product and / or injury to the consumer.



UNIT SHOULD BE INSTALLED BY 2 OR MORE PERSONS.

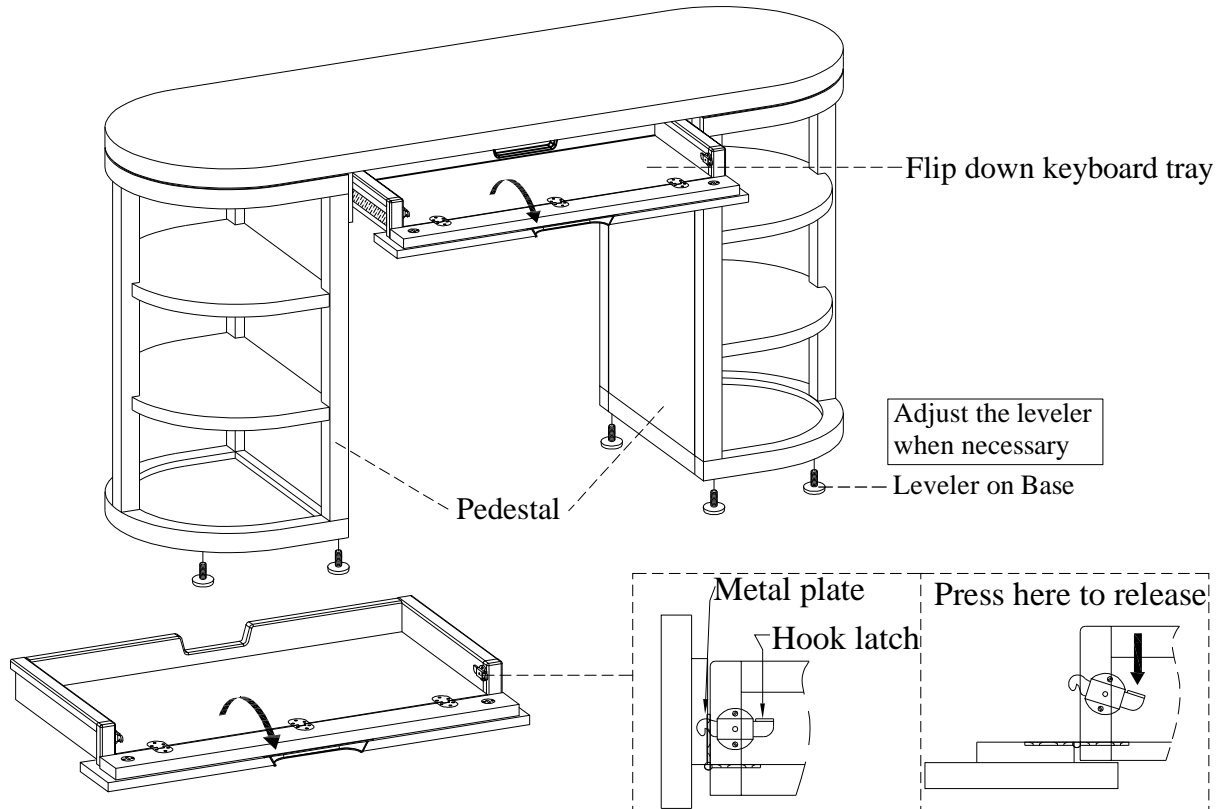


TOOLS REQUIRED (NOT PROVIDED)	
PHILLIPS SCREWDRIVER	

HARDWARE LIST:			
No.	Description	Sketch	Quantity
A	Bolt Ø1/4" x 1-1/2"		6 PCS
B	Bolt Ø1/4" x 7/8"		8 PCS
C	Lock Washer Ø1/4"		14 PCS
D	Flat Washer Ø1/4"		14 PCS
E	Allen Wrench		1 PC

COMPONENTS LIST:			
No.	Description	Sketch	Quantity
1	Table Top		1 PC
2	Pedestal		2 PCS

FUNCTIONALITY INSTRUCTION

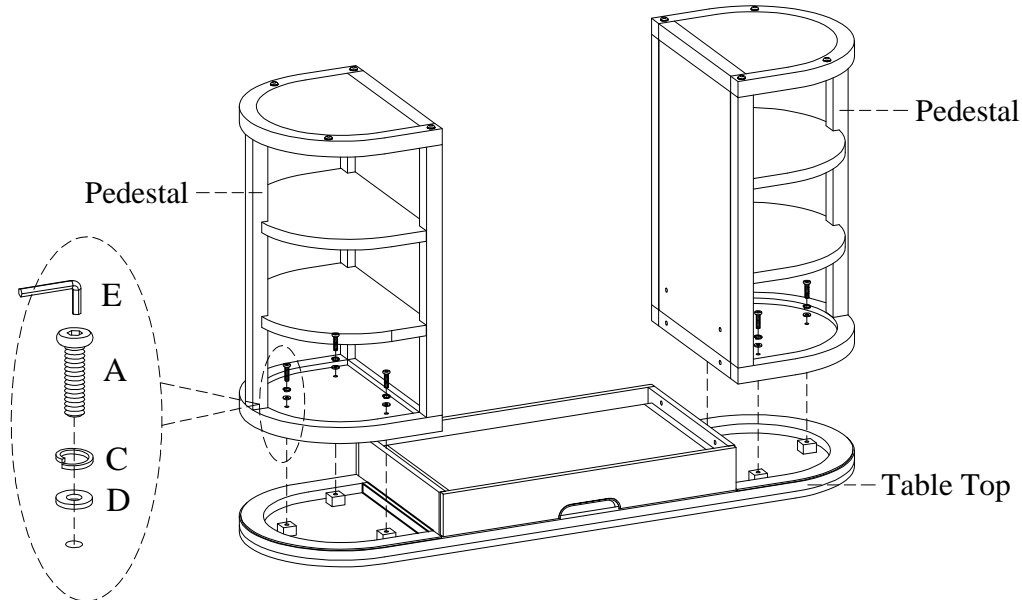


FOR INDOOR USE ONLY



ITEM NO: I3224-9150 Sofa Writing Table

STEP 1: Put the table top face down on a soft surface. Attach the pedestals to the table top by using 6 bolts(A), lock washers(C) and flat washers(D) with the allen wrench(E). Do not completely tighten bolts.



STEP 2: Pull out the flip down keyboard drawer, then attach "U" shape frame with both pedestals by using 8 bolts(B), lock washers(C) and flat washers(D) as shown below. Use the Allen wrench provided to tighten all the bolts. Push back the flip down keyboard drawer. Turn the assembled table to the upright position.

