



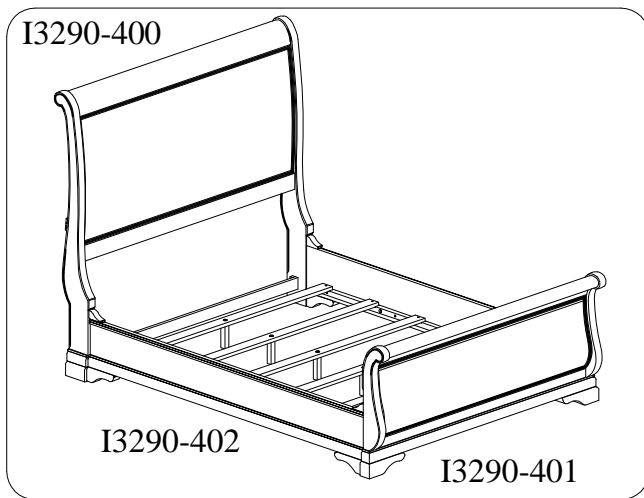
ITEM NO: I3290-400 Queen Sleigh HB
 I3290-401 Queen Sleigh FB
 I3290-402 Queen Sleigh Side Rails

Thank you for purchasing this quality product. Be sure to check all packing material carefully for small parts that may come loose inside the carton during shipment.

WARNING! Before using this product, please read, understand, and follow these instructions. Failure to follow each of these assembly instructions precisely may result in damage to the product and / or injury to the consumer.



UNIT SHOULD BE INSTALLED BY 2 OR MORE PERSONS.



TOOLS REQUIRED (NOT PROVIDED)	
PHILLIPS SCREWDRIVER	

All Beds need to be set up in the exact final location so that after full assembly it will not need to be moved. Moving the bed will cause the support legs to move out of perpendicular (90 degree), weaken the support system, and may allow the bed to collapse.

HARDWARE LIST: I3290-400			
No.	Description	Sketch	Quantity
A	Hanger Bolt Ø5/16" x 4-1/2"		8 PCS
B	Half Moon Washer Ø5/16"		8 PCS
C	Hex Nut Ø5/16"		8 PCS
D	Hex Wrench 12mm		1 PC
E	Bolt Ø1/4" x 1-3/4"		4 PCS
F	Lock Washer Ø1/4"		4 PCS
G	Flat Washer Ø1/4" x 3/4"		4 PCS
H	Allen Wrench M4		1 PC

COMPONENTS LIST: I3290-400			
No.	Description	Sketch	Quantity
1	Headboard (HB)		1 PC
2	Left Post		1 PC
3	Right Post		1 PC
4	Wood Stretcher		1 PC

HARDWARE LIST: I3290-402			
No.	Description	Sketch	Quantity
I	Hanger Bolt Ø5/16" x 4-1/2"		8 PCS
J	Half Moon Washer Ø5/16"		8 PCS
K	Hex Nut Ø5/16"		8 PCS
L	Hex Wrench 12mm		1 PC
M	Wood Screw M4 x 1-1/4"		12 PCS

COMPONENTS LIST: I3290-402			
No.	Description	Sketch	Quantity
1	Bed rails		2 PCS
2	Slats		6 PCS

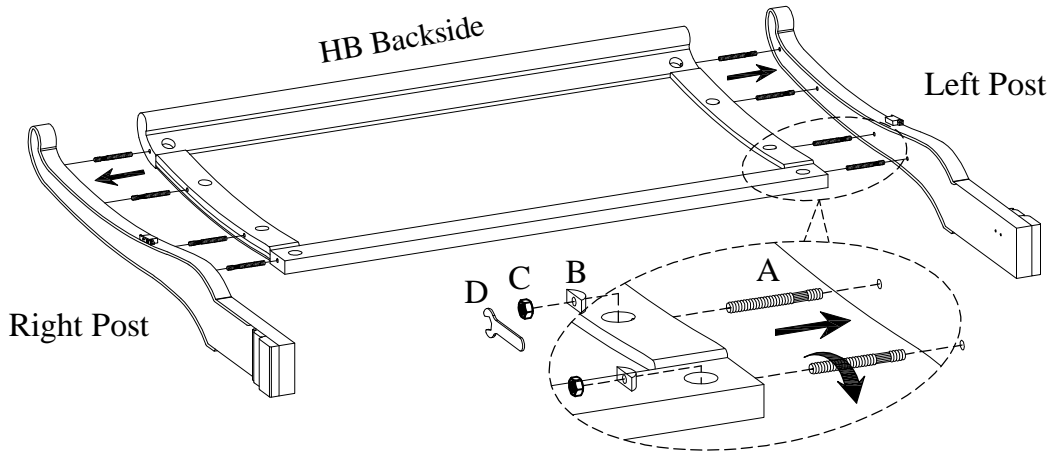
COMPONENTS LIST: I3290-401			
No.	Description	Sketch	Quantity
1	Footboard (FB)		1 PC
2	Support Leg (for slats)		6 PCS

FOR INDOOR USE ONLY

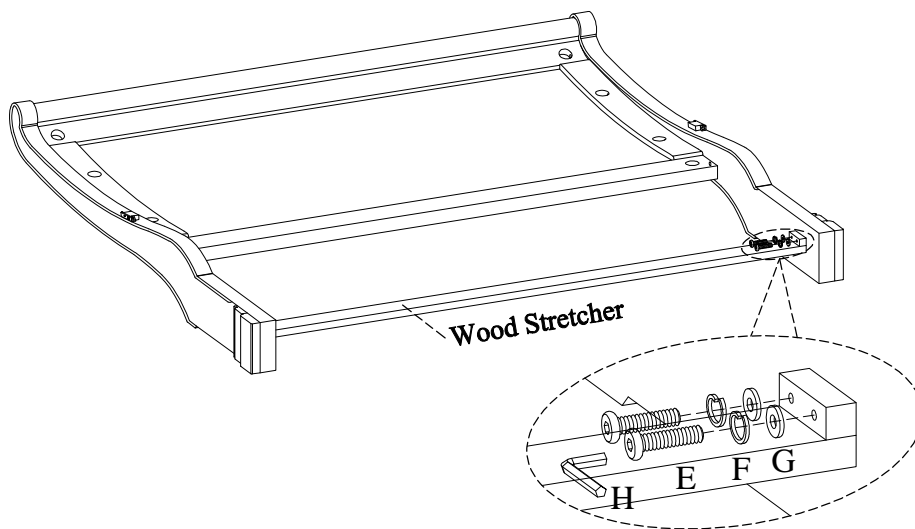


ITEM NO: I3290-400 Queen Sleigh HB
I3290-401 Queen Sleigh FB
I3290-402 Queen Sleigh Side Rails

STEP 1: Lay the headboard face down on a soft surface. Screw the bolts (A) into left post & right post. Align the bolts with the holes in the end of headboard and attach the posts to headboard using half moon washers (B) and nuts (C). Do not completely tighten nuts to allow some leeway for adjustment in STEP 2.



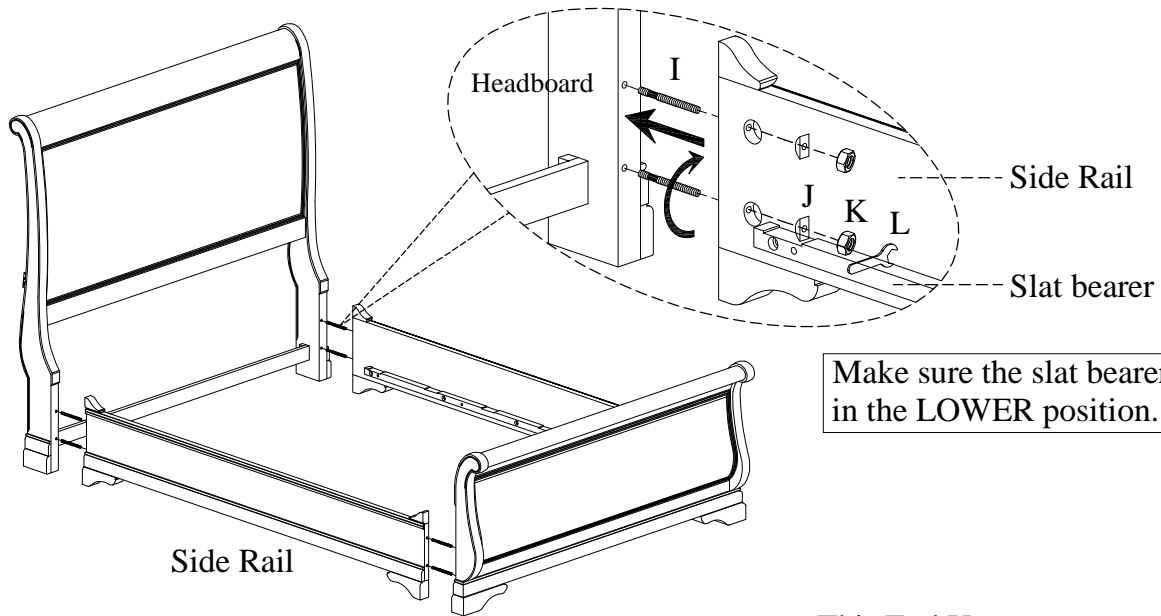
STEP 2: Attach the wood stretcher to the posts by using 4 bolts (E), lock washers (F) and flat washers (G) with an allen wrench (H). Completely tighten all bolts and nuts used in Steps 1 and 2.





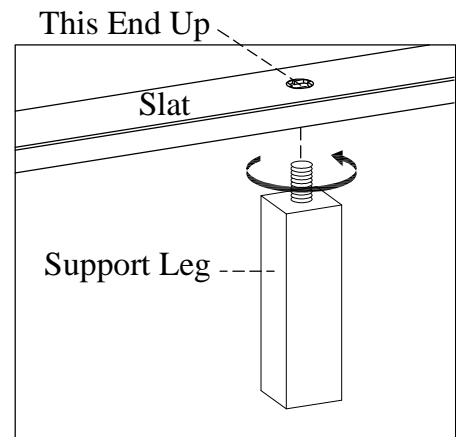
ITEM NO: I3290-400 Queen Sleigh HB
I3290-401 Queen Sleigh FB
I3290-402 Queen Sleigh Side Rails

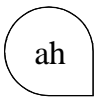
STEP 3: Screw the bolts (I) into HB & FB. Make sure the slat bearer is in the LOWER position. Align the bolts with the holes in the end of side rails and attach the side rails to HB & FB using half moon washers (J) and nuts (K). Then use a hex wrench to tighten all nuts.



Make sure the slat bearer is in the LOWER position.

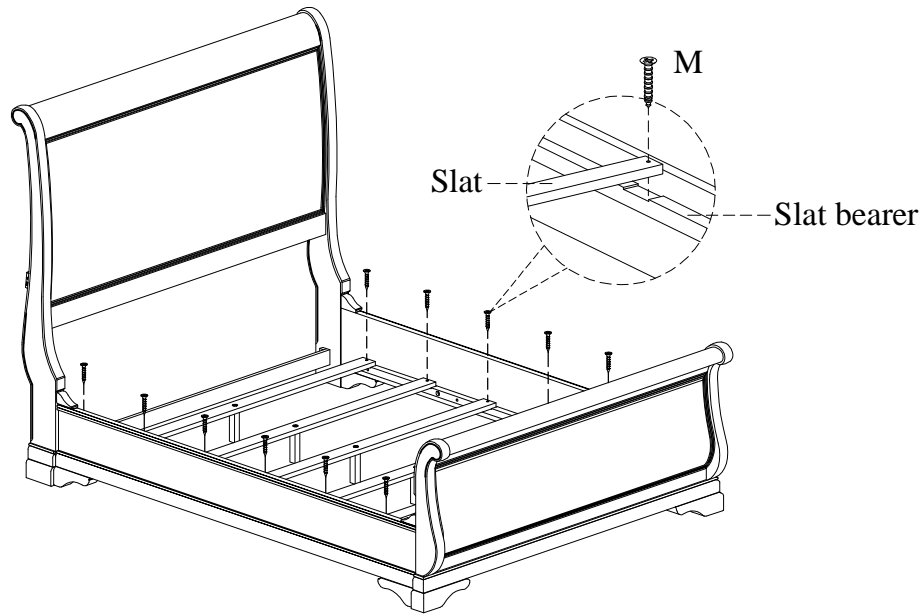
STEP 4: Attach the support legs to the slats as shown right.



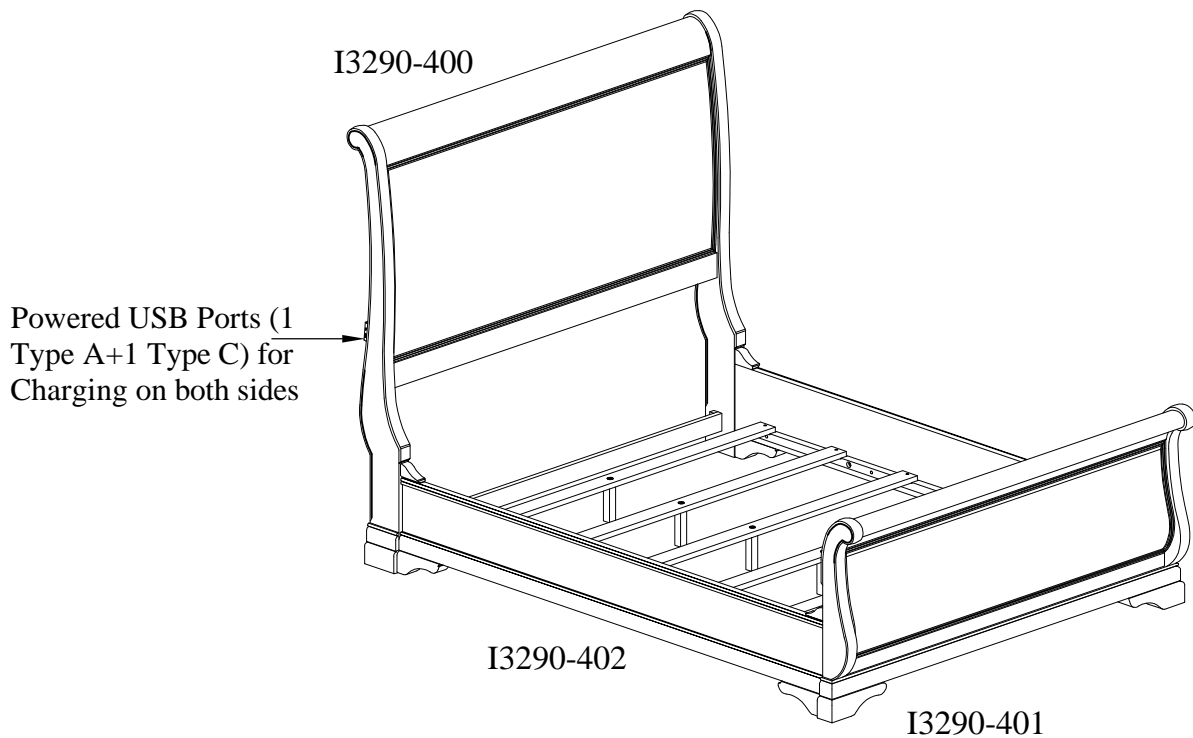


ITEM NO: I3290-400 Queen Sleigh HB
I3290-401 Queen Sleigh FB
I3290-402 Queen Sleigh Side Rails

STEP 5: Arrange slats on the slat bearers. Make sure the slats are placed within the notches of each bearer and secured completely with wood screws (M).



FUNCTIONALITY INSTRUCTION





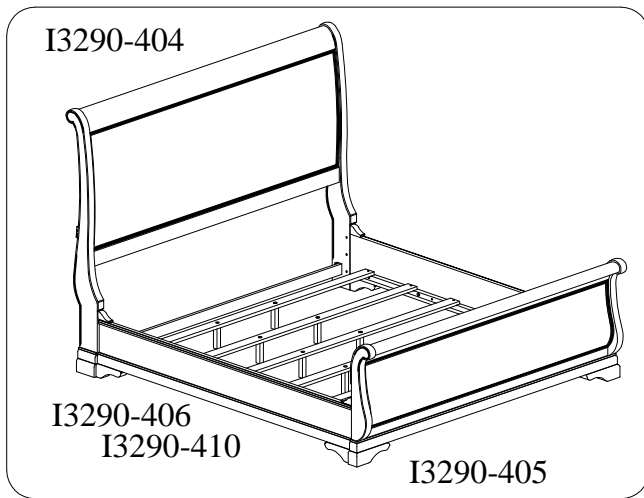
- ITEM NO: I3290-404 King Sleigh HB
- I3290-406 King Sleigh Side Rails
- I3290-410 CK Sleigh Side Rails
- I3290-405 King Sleigh FB

Thank you for purchasing this quality product. Be sure to check all packing material carefully for small parts that may come loose inside the carton during shipment.

WARNING! Before using this product, please read, understand, and follow these instructions. Failure to follow each of these assembly instructions precisely may result in damage to the product and / or injury to the consumer.



UNIT SHOULD BE INSTALLED BY 2 OR MORE PERSONS.



TOOLS REQUIRED (NOT PROVIDED)	
PHILLIPS SCREWDRIVER	

All Beds need to be set up in the exact final location so that after full assembly it will not need to be moved. Moving the bed will cause the support legs to move out of perpendicular (90 degree), weaken the support system, and may allow the bed to collapse.

HARDWARE LIST: I3290-404			
No.	Description	Sketch	Quantity
A	Hanger Bolt Ø5/16" x 4-1/2"		8 PCS
B	Half Moon Washer Ø5/16"		8 PCS
C	Hex Nut Ø5/16"		8 PCS
D	Hex Wrench 12mm		1 PC
E	Bolt Ø1/4" x 1-3/4"		4 PCS
F	Lock Washer Ø1/4"		4 PCS
G	Flat Washer Ø1/4" x 3/4"		4 PCS
H	Allen Wrench M4		1 PC

COMPONENTS LIST: I3290-404			
No.	Description	Sketch	Quantity
1	Headboard (HB)		1 PC
2	Left Post		1 PC
3	Right Post		1 PC
4	Wood Stretcher		1 PC

HARDWARE LIST: I3290-406/410			
No.	Description	Sketch	Quantity
I	Hanger Bolt Ø5/16" x 4-1/2"		8 PCS
J	Half Moon Washer Ø5/16"		8 PCS
K	Hex Nut Ø5/16"		8 PCS
L	Hex Wrench 12mm		1 PC
M	Wood Screw M4 x 1-1/4"		12 PCS
N	Wood Cap		8 PCS
O	Bolt Ø5/16" x 2-1/2"		6 PCS
P	Lock Washer Ø5/16"		6 PCS
Q	Flat Washer Ø5/16" x 3/4"		6 PCS
R	Allen Wrench M4		1 PC

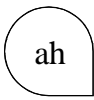
Only for - 410

COMPONENTS LIST: I3290-406			
No.	Description	Sketch	Quantity
1	Bed rails		2 PCS
2	Slats		6 PCS

COMPONENTS LIST: I3290-410			
No.	Description	Sketch	Quantity
1	Bed rails		2 PCS
2	Slats		6 PCS
3	Wood Block		2 PCS

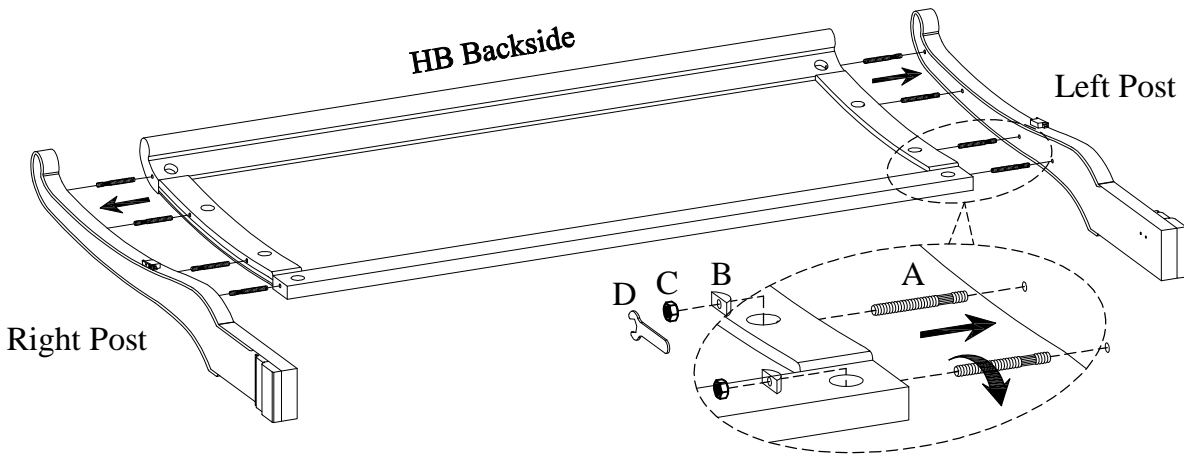
COMPONENTS LIST: I3290-405			
No.	Description	Sketch	Quantity
1	Footboard (FB)		1 PC
2	Support Leg (for slats)		12 PCS

FOR INDOOR USE ONLY

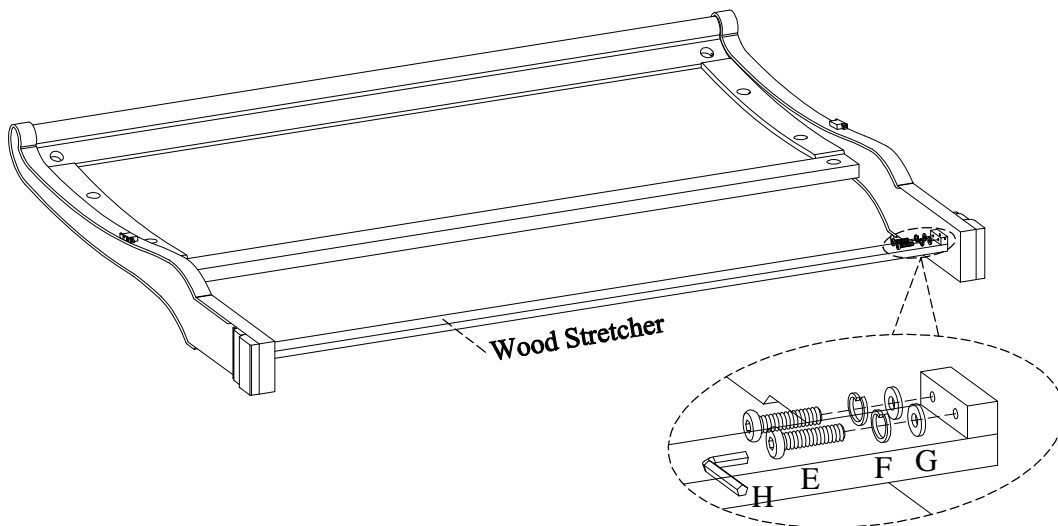


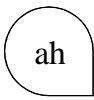
ITEM NO: I3290-404 King Sleigh HB
 I3290-406 King Sleigh Side Rails
 I3290-410 CK Sleigh Side Rails
 I3290-405 King Sleigh FB

STEP 1: Lay the headboard face down on a soft surface. Screw the bolts (A) into left post & right post. Align the bolts with the holes in the end of headboard and attach the posts to headboard using half moon washers (B) and nuts (C). Do not completely tighten nuts to allow some leeway for adjustment in STEP 2.



STEP 2: Attach the wood stretcher to the posts by using 4 bolts (E), lock washers (F) and flat washers (G) with an allen wrench (H). Completely tighten all bolts and nuts used in Steps 1 and 2.

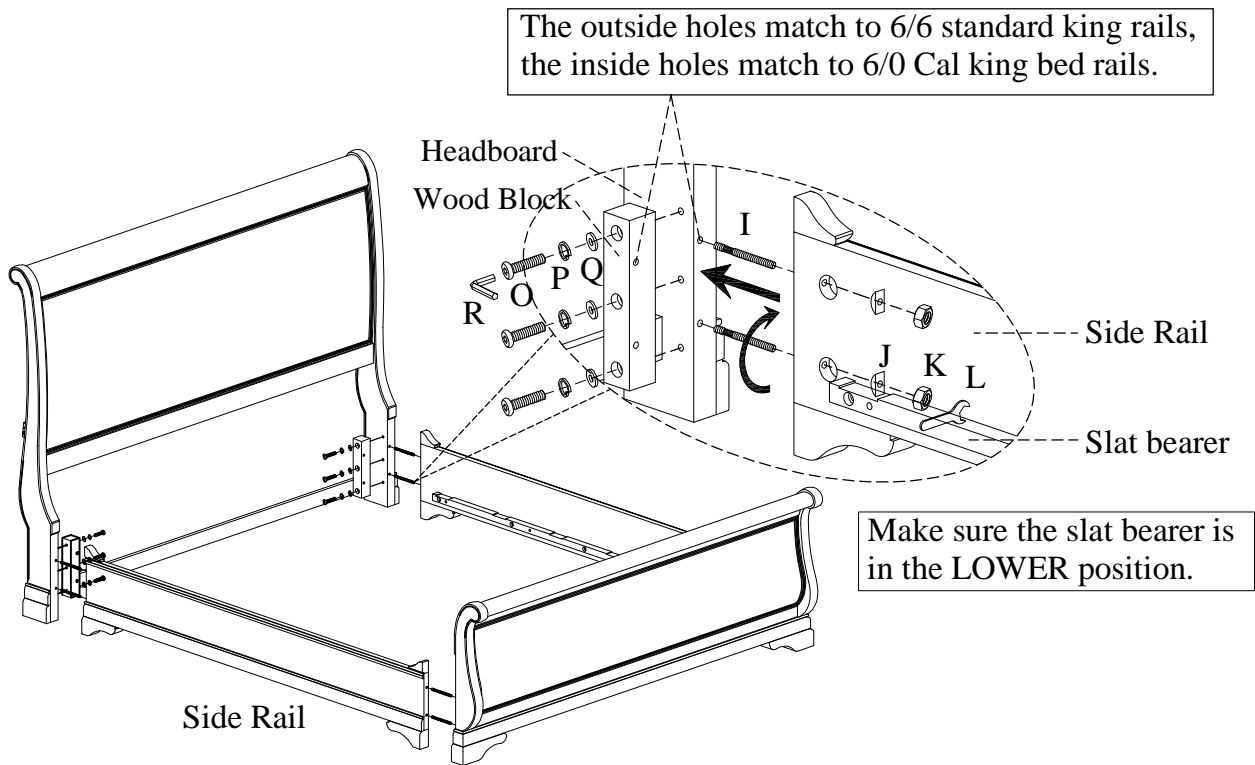




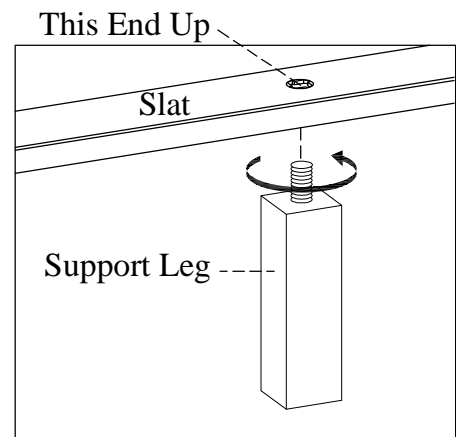
- ITEM NO: I3290-404 King Sleigh HB
- I3290-406 King Sleigh Side Rails
- I3290-410 CK Sleigh Side Rails
- I3290-405 King Sleigh FB

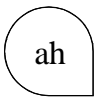
STEP 3-1: Screw the bolts (I) into HB & FB. Make sure the slat bearer is in the LOWER position. Align the bolts with the holes in the end of side rails and attach the side rails to HB & FB using half moon washers (J) and nuts (K). Then use a hex wrench to tighten all nuts.

STEP 3-2: For Cal king bed, attach the wood blocks to HB posts - Left / Right by using 6 bolts (O), lock washers (P) and flat washers (Q). Use the Allen wrench (R) provided to tighten all bolts. For regular King bed, skip this step.



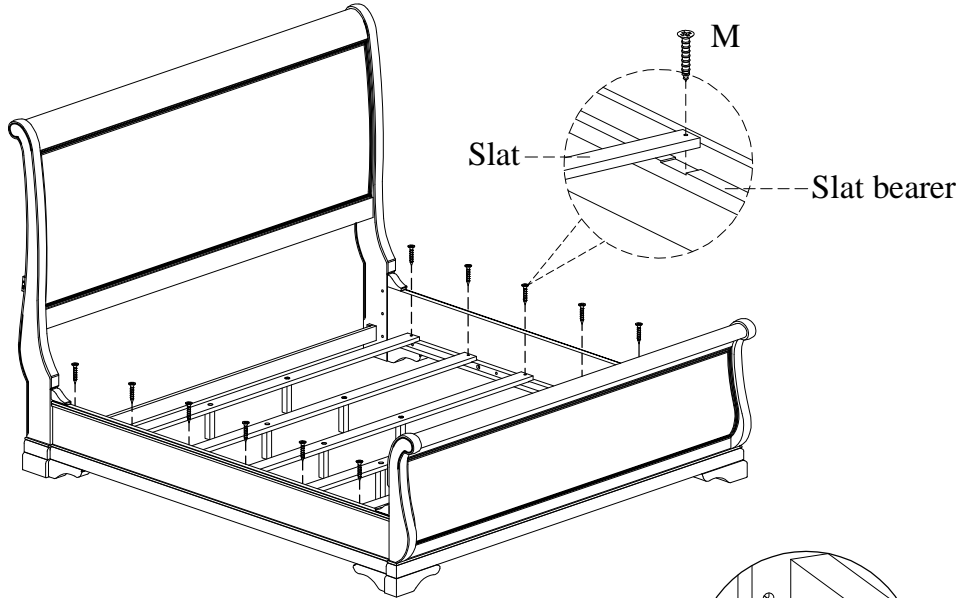
STEP 4: Attach the support legs to the slats as shown right.



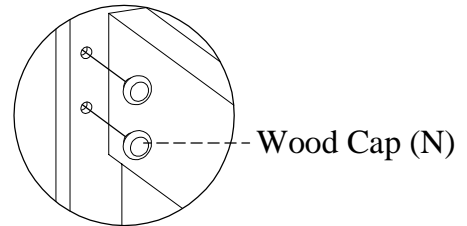


- ITEM NO: I3290-404 King Sleigh HB
- I3290-406 King Sleigh Side Rails
- I3290-410 CK Sleigh Side Rails
- I3290-405 King Sleigh FB

STEP 5: Arrange slats on the slat bearers. Make sure the slats are placed within the notches of each bearer and secured completely with wood screws (M).



STEP 6: For Cal King bed, insert wood caps into the holes on headboard and footboard. For regular King bed, skip this step.



FUNCTIONALITY INSTRUCTION

