



ITEM NO: I3290-462 Landscape Mirror

Thank you for purchasing this quality product. Be sure to check all packing material carefully for small parts that may come loose inside the carton during shipment.

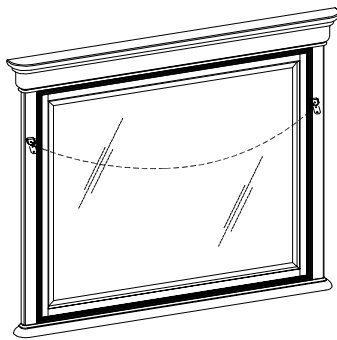
**WARNING!** Before using this product, please read, understand, and follow these instructions. Failure to follow each of these assembly instructions precisely may result in damage to the product and / or injury to the consumer.



**UNIT SHOULD BE INSTALLED BY 2 OR MORE PERSONS.**

### Option 1: Wall Mount

I3290-462

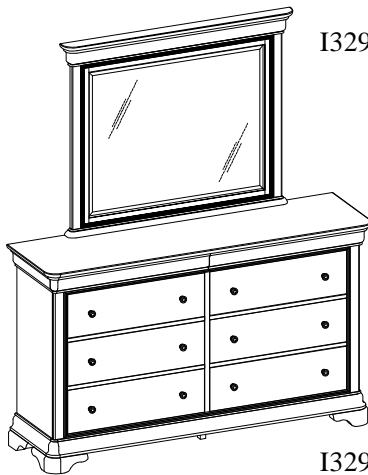


TOOLS REQUIRED (NOT PROVIDED)

PHILLIPS SCREWDRIVER

### Option 2: Dresser Mount

I3290-462



I3290-453

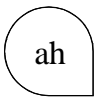
#### HARDWARE LIST:

No.	Description	Sketch	Quantity
A	Bolt Ø1/4" x 1-1/2"		8 PCS
B	Lock Washer Ø1/4"		8 PCS
C	Flat Washer Ø1/4" x 3/4"		8 PCS
D	Allen Wrench 4mm		1 PC

#### COMPONENTS LIST:

No.	Description	Sketch	Quantity
1	Mirror		1 PC
2	Wood Strip		2 PCS

FOR INDOOR USE ONLY

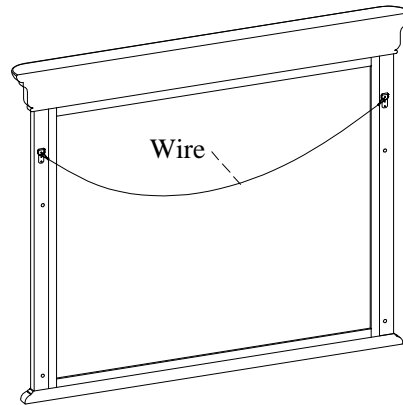


ITEM NO: I3290-462 Landscape Mirror

### **FOR OPTION 1 (Wall Mount)**

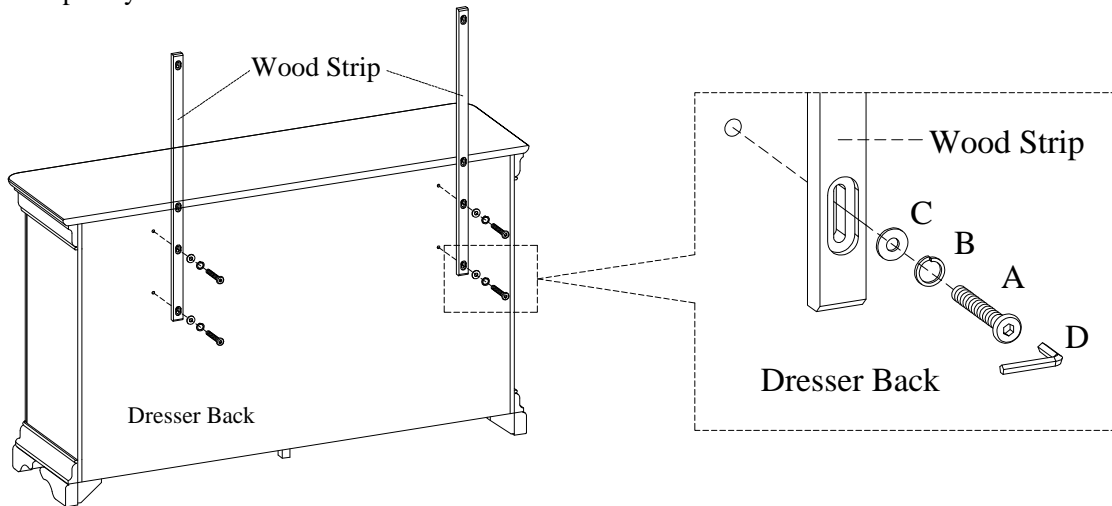
**STEP 1:** After attaching nail/hanger to wall, place wire over nail/hanger and slowly lower the mirror into place. Make sure the wire catches on the nail/hanger.

**Note:** Ensure the nail/hanger is in a wall stud or wall solid enough to support mirror.



### **FOR OPTION 2 (Dresser Mount)**

**STEP 1:** Attach the wood strips to the dresser by using 4 bolts(A), lock washers(B), and flat washers(C). Do not tighten bolts completely.



**STEP 2:** Attach the wood strips to the mirror by using 4 bolts(A), lock washers(B), and flat washers(C). Tighten all bolts on dresser and mirror with Allen wrench.

