



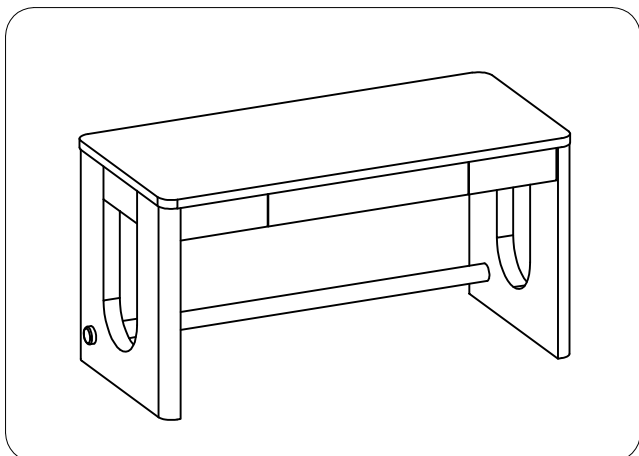
ITEM NO: I3327-360WD Writing Desk

Thank you for purchasing this quality product. Be sure to check all packing material carefully for small parts that may come loose inside the carton during shipment.

**WARNING!** Before using this product, please read, understand, and follow these instructions. Failure to follow each of these assembly instructions precisely may result in damage to the product and / or injury to the consumer.



**UNIT SHOULD BE INSTALLED BY 2 OR MORE PERSONS.**

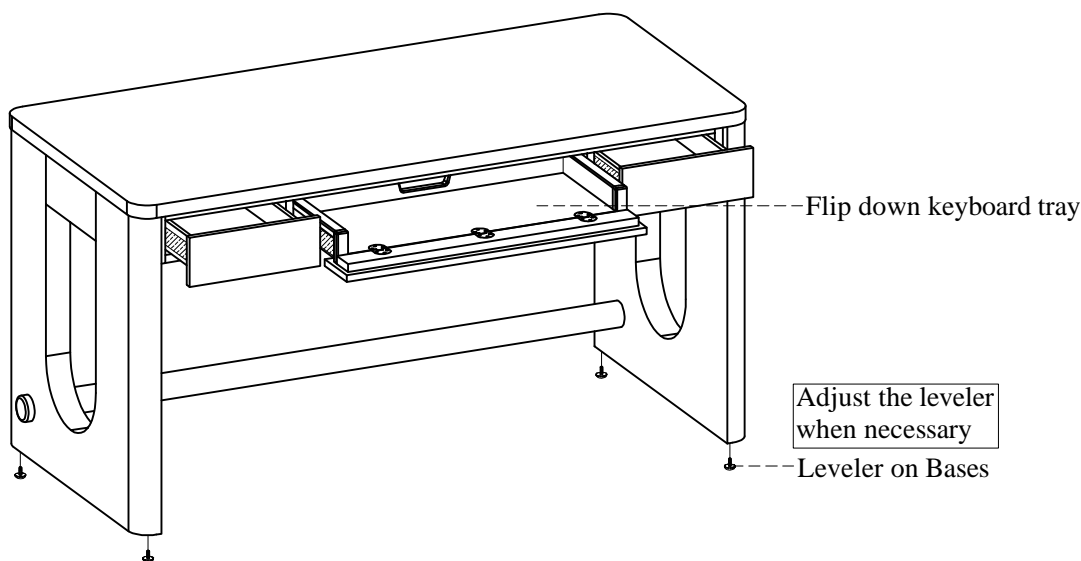


TOOLS REQUIRED (NOT PROVIDED)
PHILLIPS SCREWDRIVER

COMPONENTS LIST:			
No.	Description	Sketch	Quantity
A	Bolt Ø5/16" x 1-3/4"		16 PCS
B	Lock Washer Ø5/16"		16 PCS
C	Flat Washer Ø5/16" x 3/4"		16 PCS
D	Allen Wrench 4mm		1 PC

COMPONENTS LIST:			
No.	Description	Sketch	Quantity
1	Desk Top		1 PC
2	Side Frame - Left		1 PC
3	Side Frame - Right		1 PC
4	Stretcher with Wood Caps		1 PC

### FUNCTIONALITY INSTRUCTION

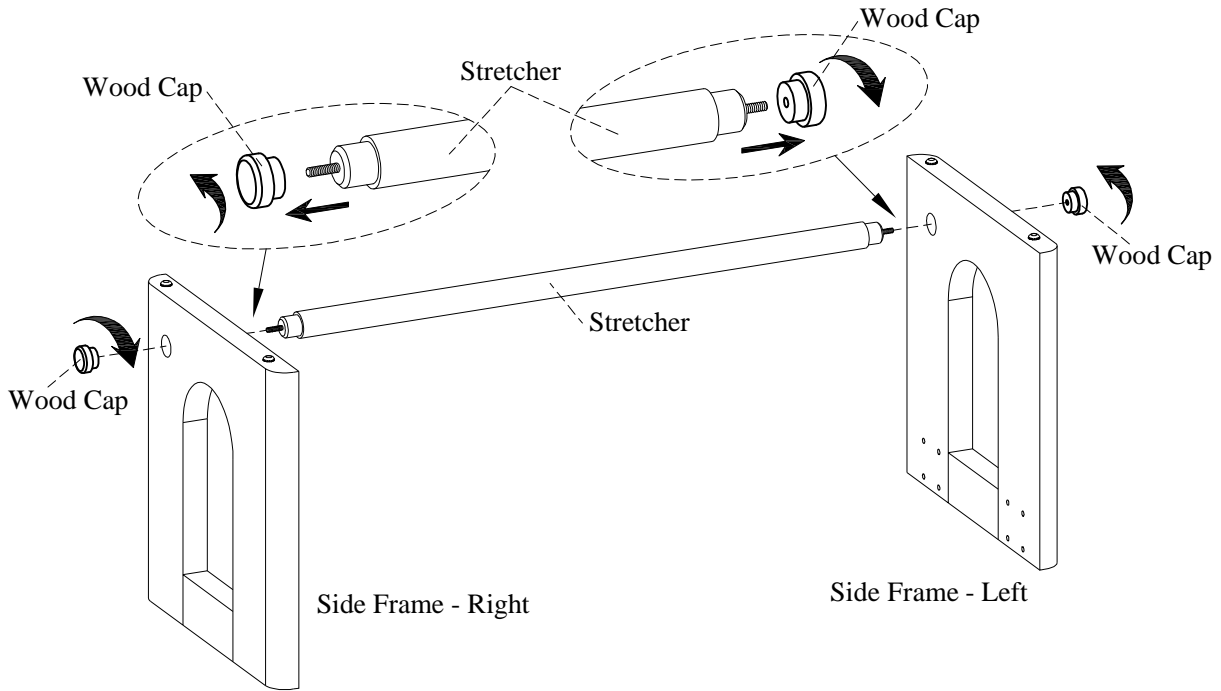


FOR INDOOR USE ONLY



ITEM NO: I3327-360WD Writing Desk

**STEP 1:** Remove the wood caps from the stretcher first, then attach the stretcher to the side frame - left / right with wood caps as shown below. Do not completely tighten wood caps.



**STEP 2:** Put the desk top upside down on a soft surface.

**STEP 3:** Pull out the side drawers. Attach the side frame assembly to desk top by using 16 bolts (A), lock washers (B), flat washers (C) with an allen wrench (D). Completely tighten all the bolts and wood caps. Push back the side drawers. Turn the assembled desk to the upright position.

