



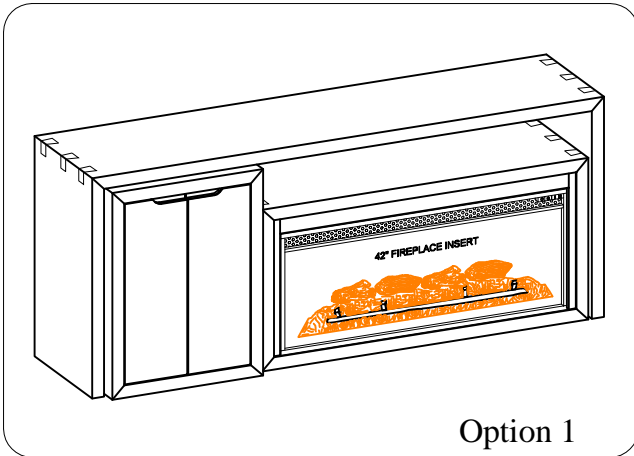
ITEM NO: I3342-276-LIT 75" Nesting Console w/ Storage

Thank you for purchasing this quality product. Be sure to check all packing material carefully for small parts that may come loose inside the carton during shipment.

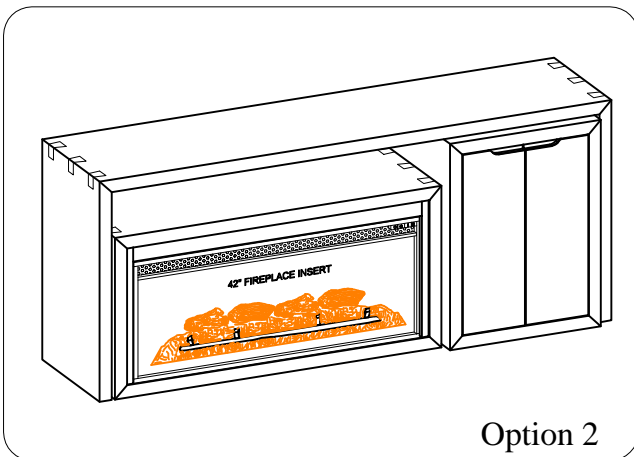
WARNING! Before using this product, please read, understand, and follow these instructions. Failure to follow each of these assembly instructions precisely may result in damage to the product and / or injury to the consumer.



UNIT SHOULD BE INSTALLED BY 2 OR MORE PERSONS.



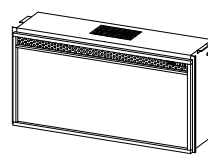
Option 1



Option 2

TOOLS REQUIRED (NOT PROVIDED)

PHILLIPS SCREWDRIVER 




Fireplace




User manual for the 42" fireplace is in the fireplace package. Follow the below instructions when attaching the fireplace to this unit.

Note: The fireplace isn't provided

HARDWARE LIST:

No.	Description	Sketch	Quantity
A	Allen Wrench 4mm		1 PC

COMPONENTS LIST:

No.	Description	Sketch	Quantity
1	Console		1 PC
2	Storage Base		1 PC
3	Fireplace Base		1 PC

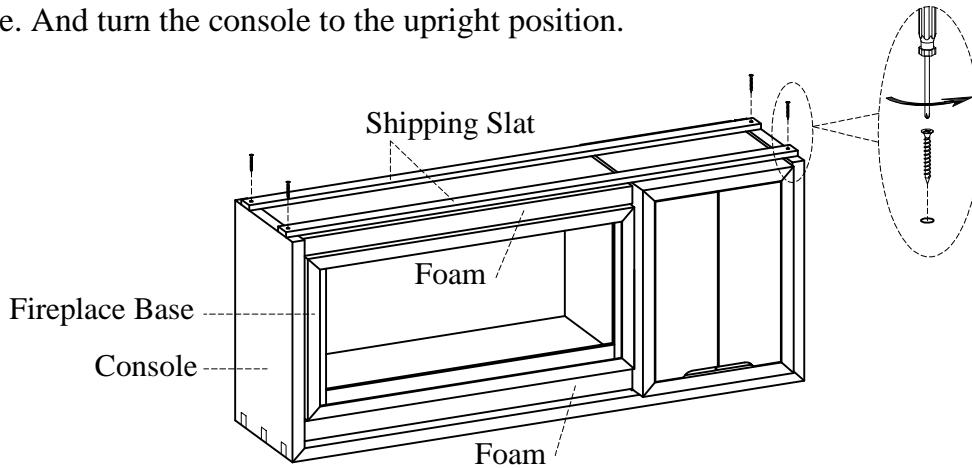
FOR INDOOR USE ONLY



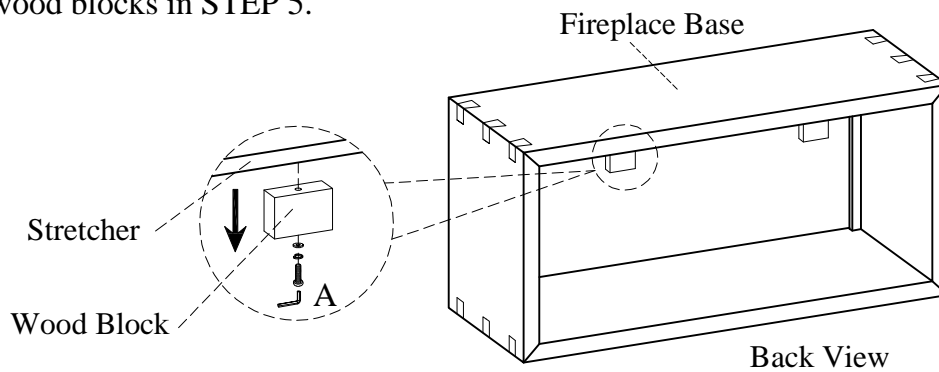
ITEM NO: I3342-276-LIT 75" Nesting Console w/ Storage

STEP 1: Put the console upside down on a soft surface.

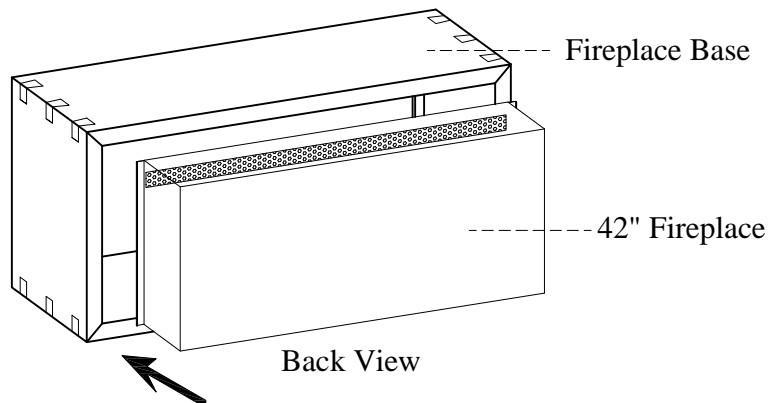
STEP 2: Remove the shipping slats and foam blocks as shown below, then remove fireplace base from inside of console. And turn the console to the upright position.



STEP 3: Remove the wood blocks on the stretcher of fireplace base as shown below. Save the hardware to replace the wood blocks in STEP 5.



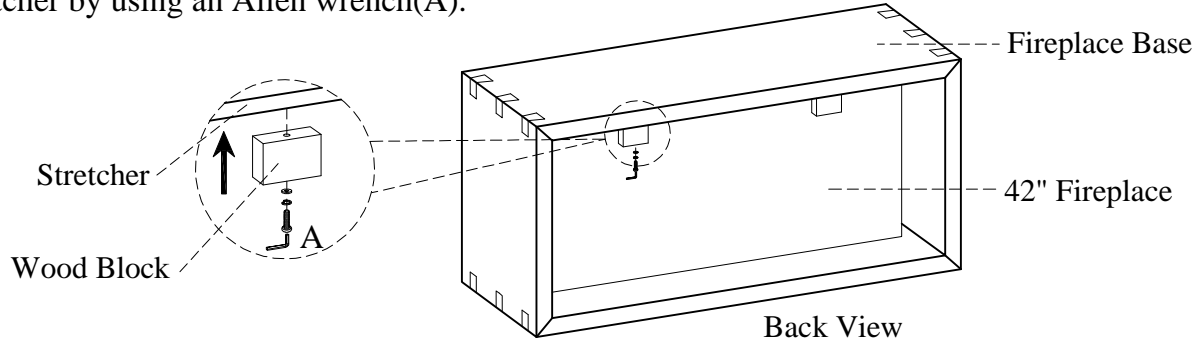
STEP 4: Insert the 42" fireplace into the back of the fireplace base.





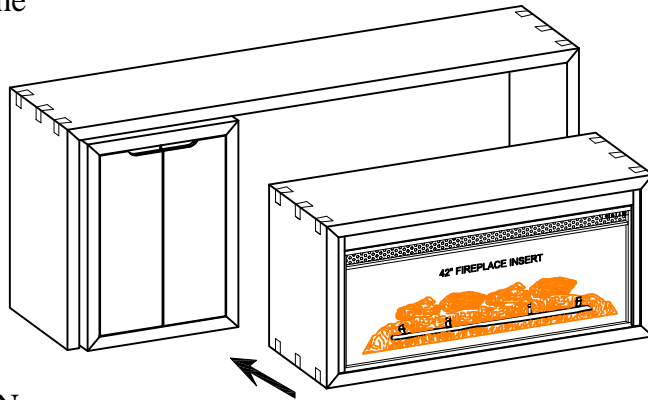
ITEM NO: I3342-276-LIT 75" Nesting Console w/ Storage

STEP 5: Attach the wood blocks to the stretcher by using an Allen wrench(A).



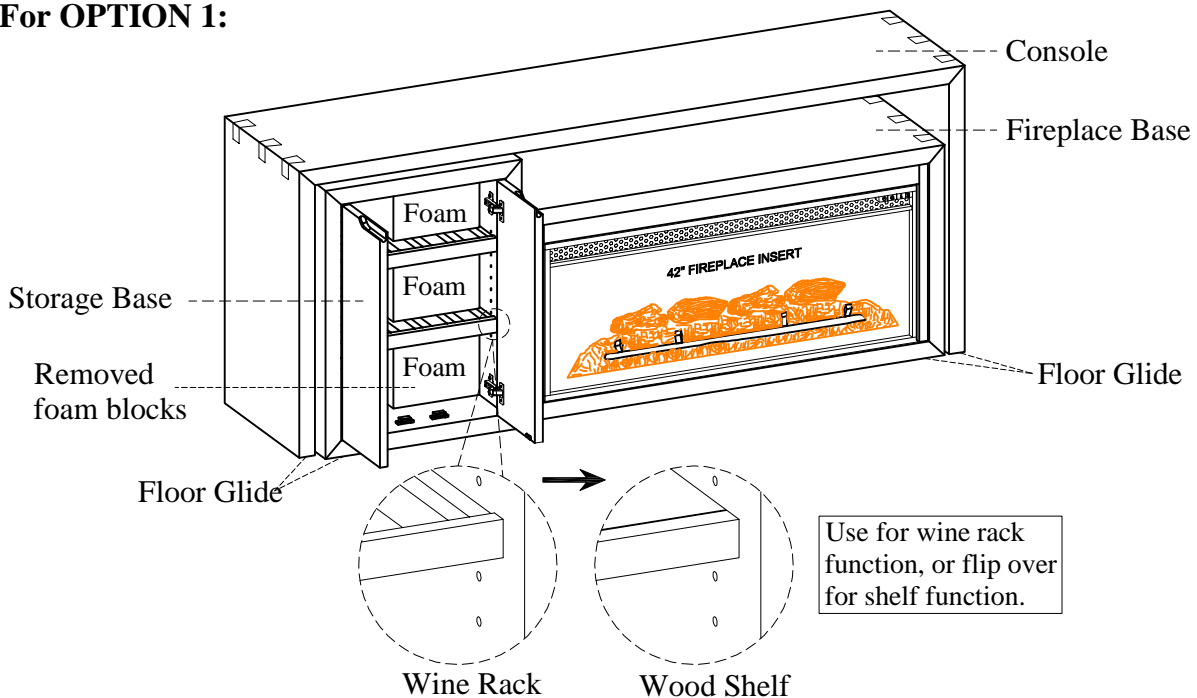
For OPTION 1:

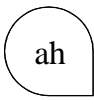
Locate the assembled fireplace in the desired position.



FUNCTIONALITY INSTRUCTION

For OPTION 1:



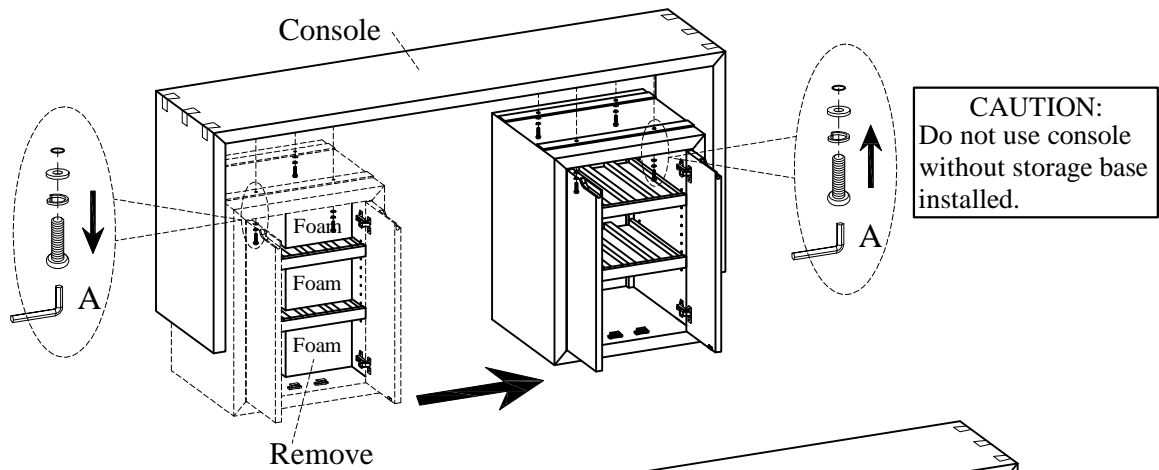


ITEM NO: I3342-276-LIT 75" Nesting Console w/ Storage

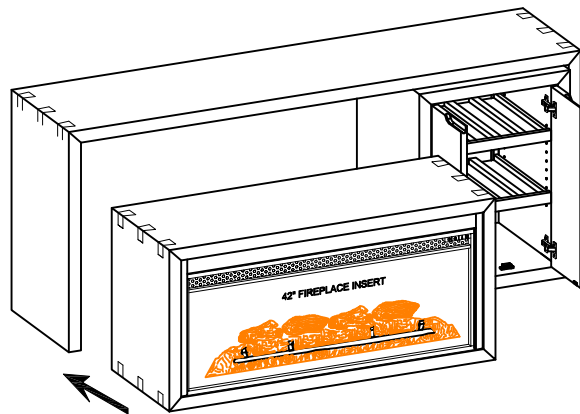
For OPTION 2:

STEP 6-1: Open both doors on storage base and take out all foam blocks, then remove 4 bolts, lock washers and flat washers with Allen wrench (A).

STEP 6-2: Slide the console horizontally to move the storage base from left side to right side, then attach the storage base to console with 4 bolts, lock washers and flat washers with Allen wrench (A), and completely tighten all the bolts as shown below.



STEP 7: Locate the assembled fireplace in the desired position.



FUNCTIONALITY INSTRUCTION

For OPTION 2:

