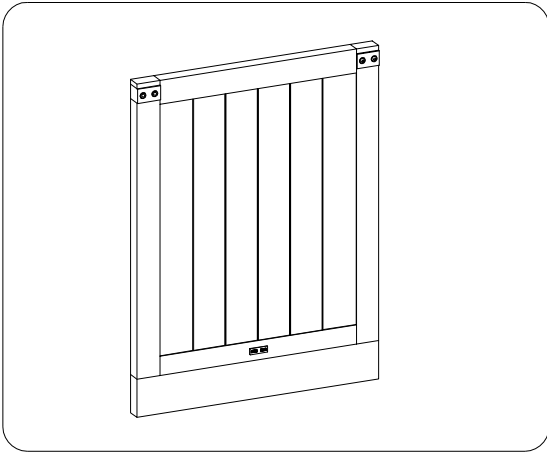




ITEM NO: I349-451B-WST      NS Backer Panel (for 451 NS)

Thank you for purchasing this quality product. Be sure to check all packing material carefully for small parts that may come loose inside the carton during shipment.



### TOOLS REQUIRED (NOT PROVIDED)

PHILLIPS SCREWDRIVER

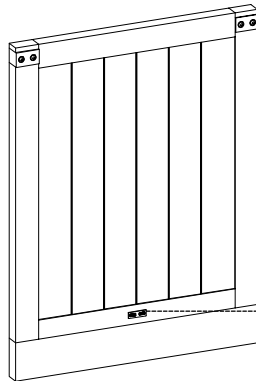
### HARDWARE LIST:

No.	Description	Sketch	Quantity
A	Bolt Ø1/4" x 2-1/8" (20)		5 PCS
B	Bolt Ø1/4" x 3/4" (20)		8 PCS
C	Lock Washer Ø1/4"		13 PCS
D	Flat Washer Ø1/4" x 3/4"		13 PCS
E	Allen Wrench 4mm		1 PC
F	Metal Plate		2 PCS

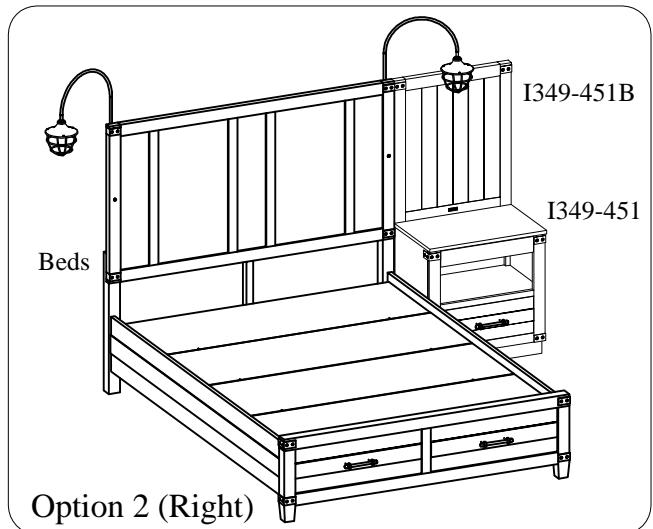
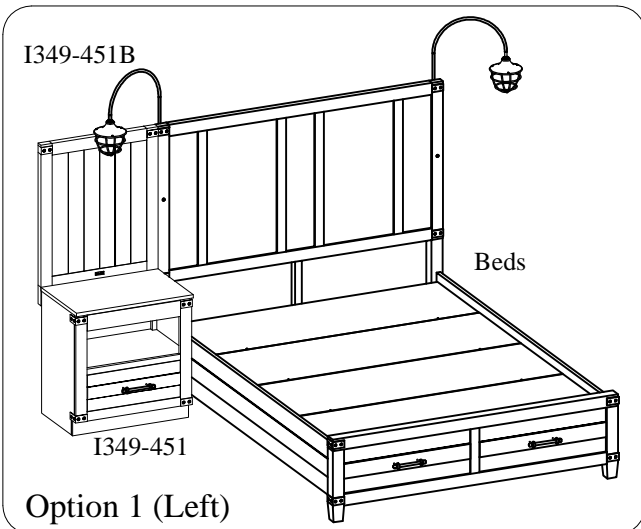
### COMPONENTS LIST:

No.	Description	Sketch	Quantity
1	Backer Panel		1 PC
2	Filler Block		1 PC

### FUNCTIONALITY INSTRUCTION



Double Powered USB Port for Charging



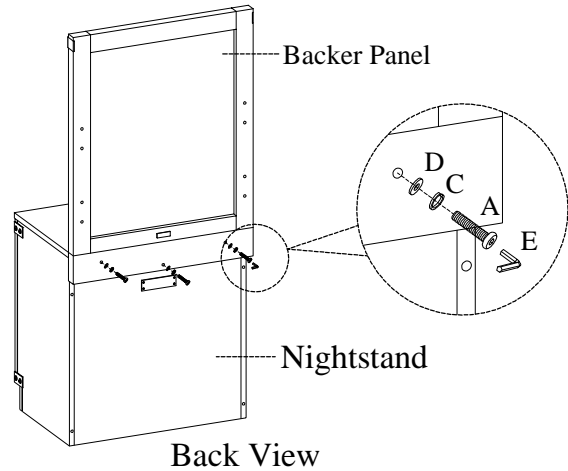
BEFORE USING THIS PRODUCT PLEASE READ, UNDERSTAND, AND FOLLOW THESE INSTRUCTIONS. Save these instructions for future reference.

FOR INDOOR USE ONLY



ITEM NO: I349-451B-WST      NS Backer Panel (for 451 NS)

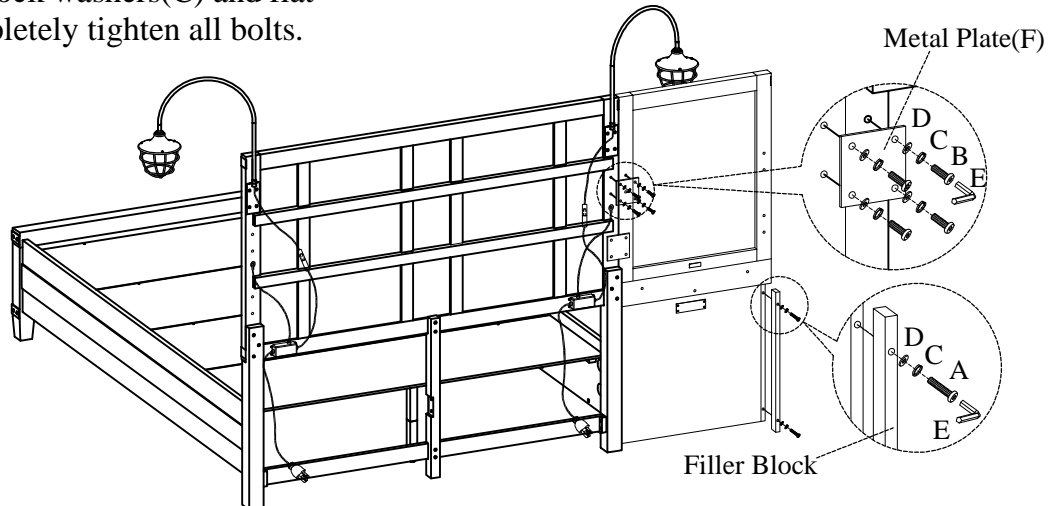
**STEP 1:** Attach the backer panel to nightstand by using 3 bolts(A), lock washers(C) and flat washers(D). Do not completely tighten bolts.



**FOR OPTION 1:**

**STEP 2-1:** Attach the metal plates(F) to backer panel and beds by using 8 bolts(B), lock washers(C) and flat washers(D) as shown below.

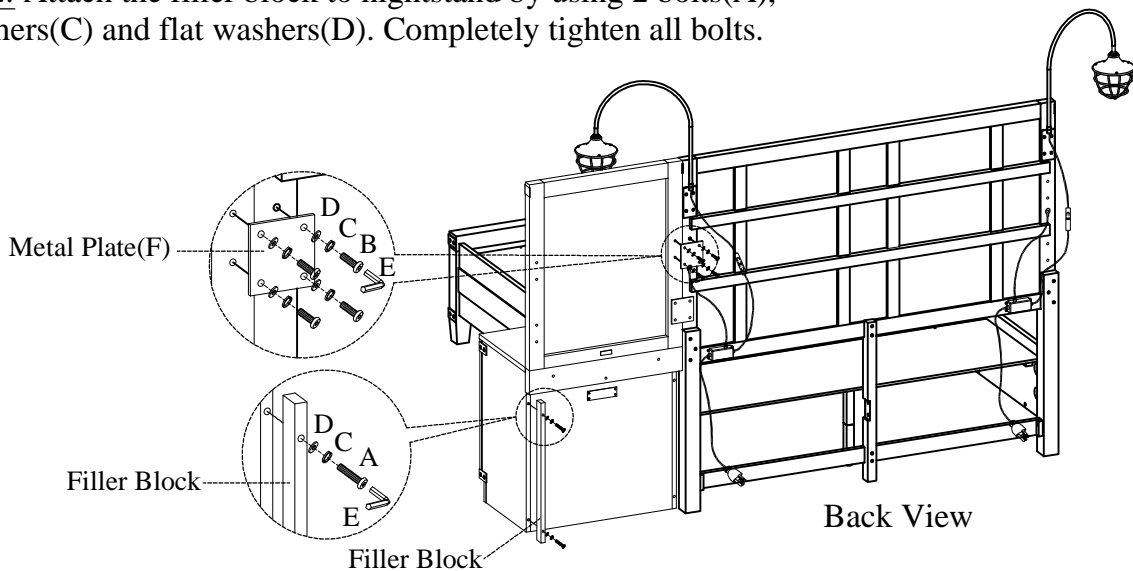
**STEP 2-2:** Attach the filler block to nightstand by using 2 bolts(A), lock washers(C) and flat washers(D). Completely tighten all bolts.



**FOR OPTION 2:**

**STEP 2-1:** Attach the metal plates(F) to backer panel and beds by using 8 bolts(B), lock washers(C) and flat washers(D) as shown below.

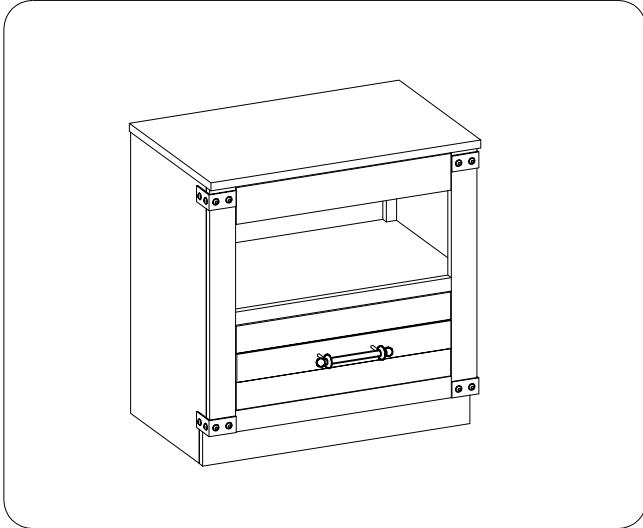
**STEP 2-2:** Attach the filler block to nightstand by using 2 bolts(A), lock washers(C) and flat washers(D). Completely tighten all bolts.



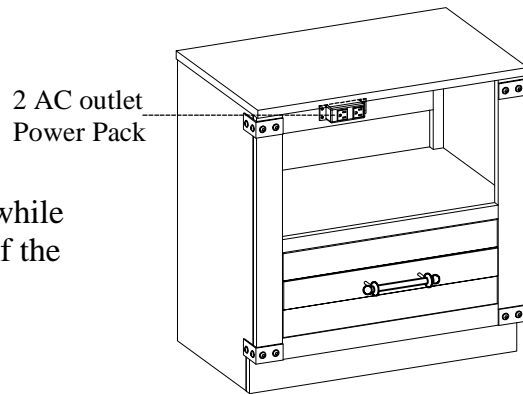


ITEM NO: I349-451-WST      1 Drawer Nightstand

Thank you for purchasing this quality product. Be sure to check all packing material carefully for small parts that may come loose inside the carton during shipment.

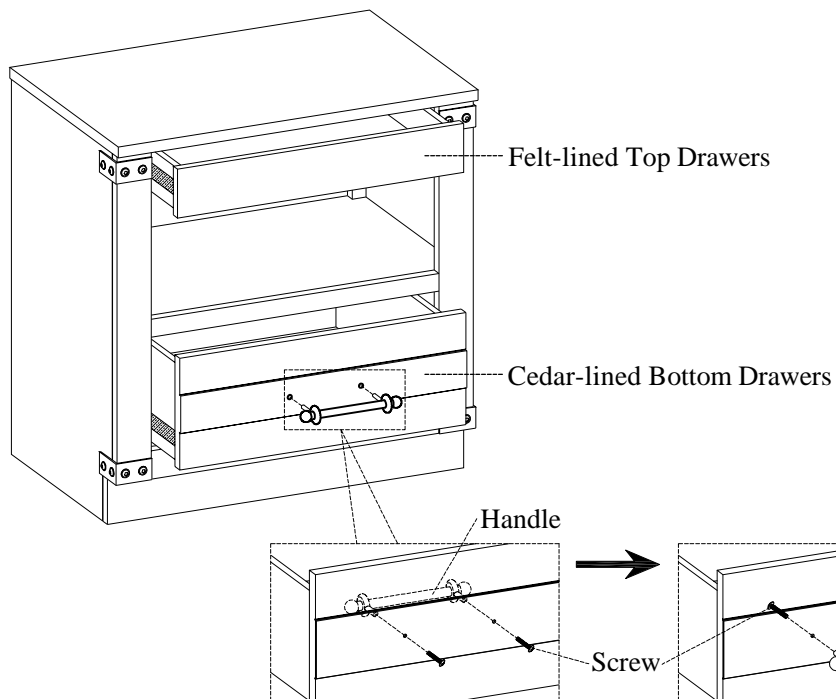


TOOLS REQUIRED (NOT PROVIDED)
PHILLIPS SCREWDRIVER



**STEP 1:** Reverse the handle by removing screws while the drawer is open and attach the handle to front of the drawer with screws as shown below.

### FUNCTIONALITY INSTRUCTION



BEFORE USING THIS PRODUCT PLEASE READ, UNDERSTAND, AND FOLLOW THESE INSTRUCTIONS.  
Save these instructions for future reference.

FOR INDOOR USE ONLY